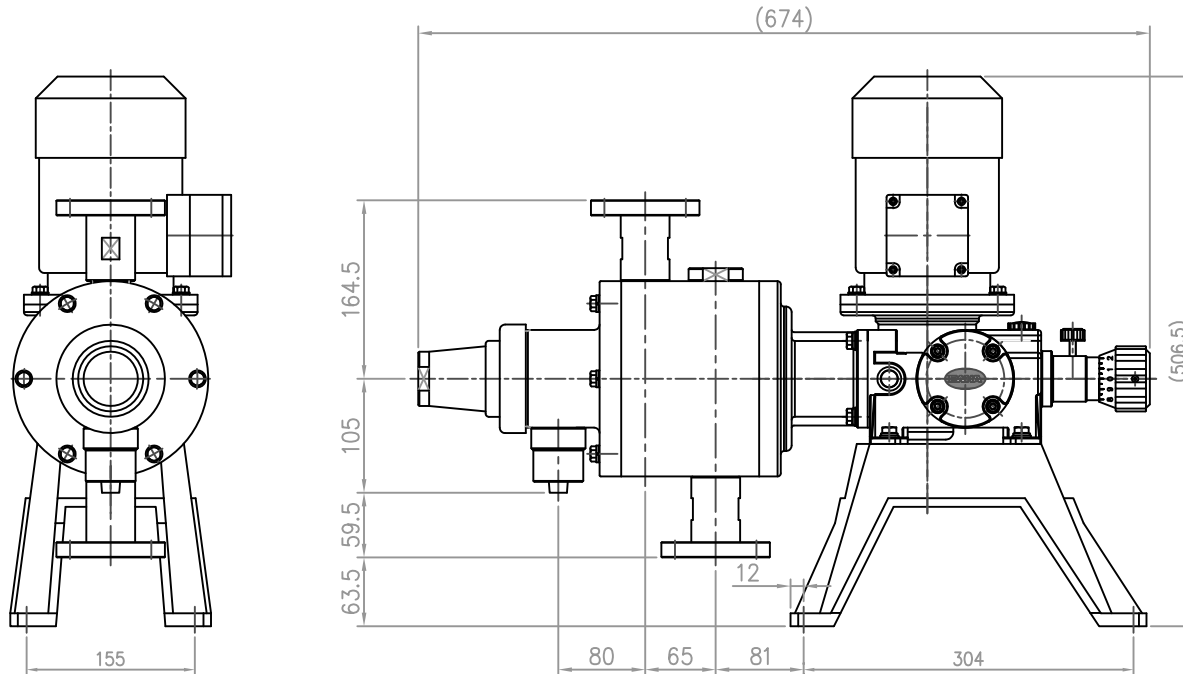
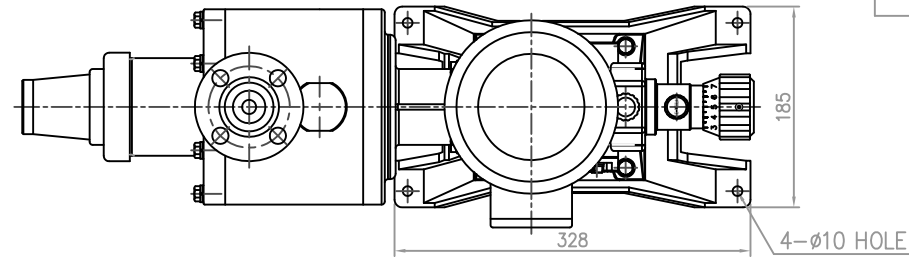


JSRV8000PCF		Sym.	Description	Rev. No.	Date	Confirmed by	
		△					
		△					
		△					
		△					
A	No.	Parts No.	Parts Name	Material	Spec.	Weight	Remark



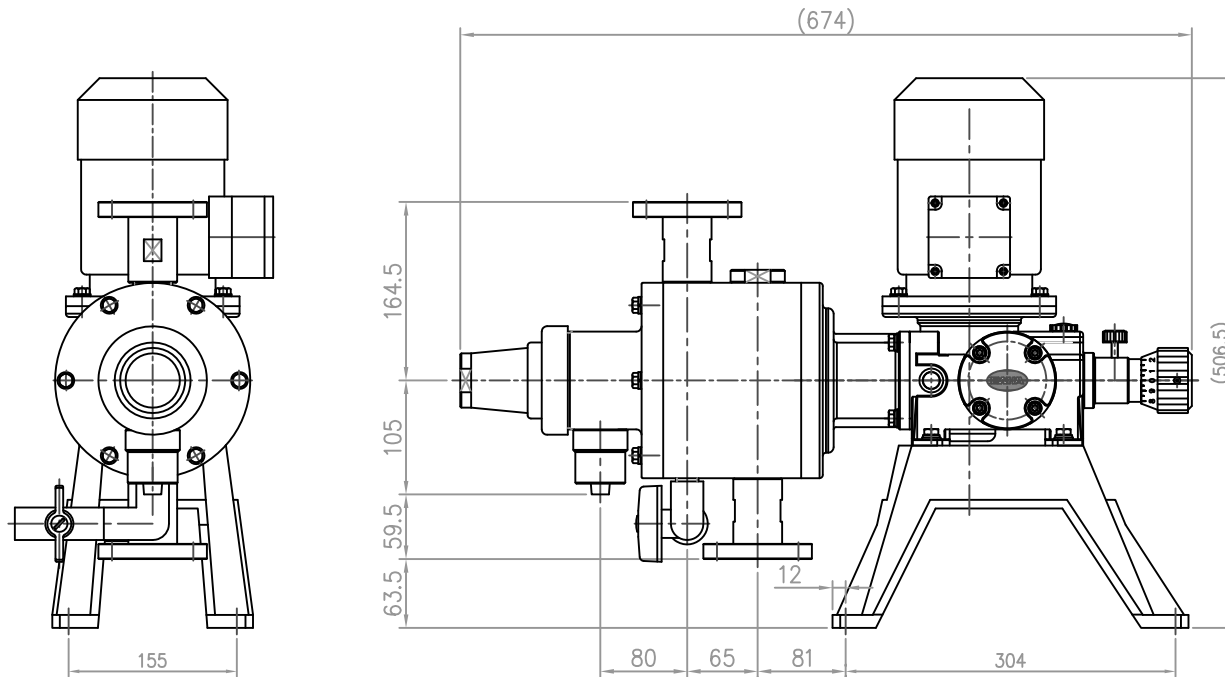
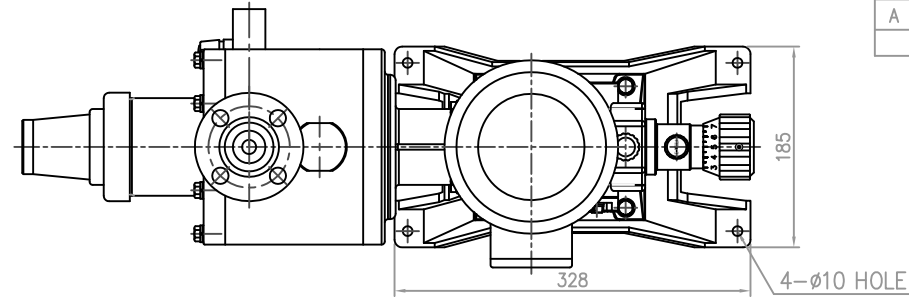
**Note**

1. Model : JSRV8000
2. Material : PP / PVdF / PTFE
3. Connection : Flange
4. Drain valve : Not installed

이 도면은 (주)이화정량펌프의 기술  
자산이므로 불법 유출시 관계법과  
회사 규정에 의해 처벌 됩니다. -N

Projection		Trigonometry		Drawing Name	PUMP ASSEMBLY-DIM
Scale	1 / 5	Unit	mm	Drawing Name	
Drawn by	Designed by	Checked by	Approved by	Application	JSRV8000PCF-KS 10K 20A FF
2005.6.30				Drawing Number	H1028E3047

JSRV8000PCFD	Sym.	Description	Rev. No.	Date	Confirmed by		
	△						
	△						
	△						
A	No.	Parts No.	Parts Name	Material	Spec.	Weight	Remark



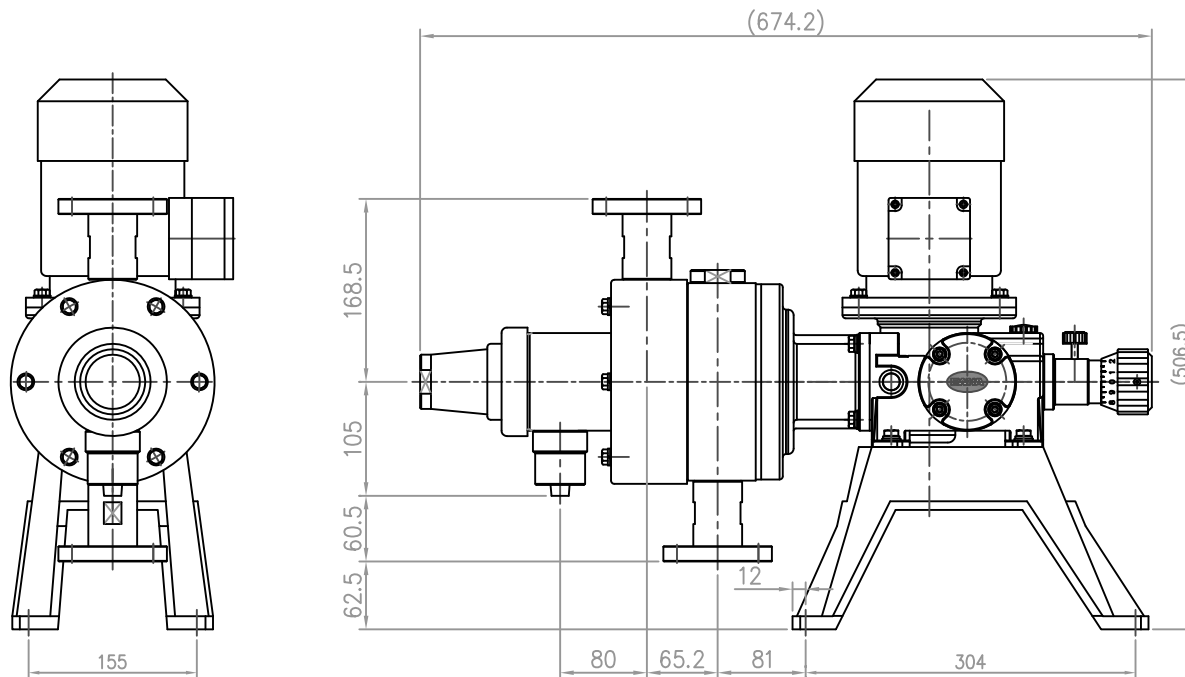
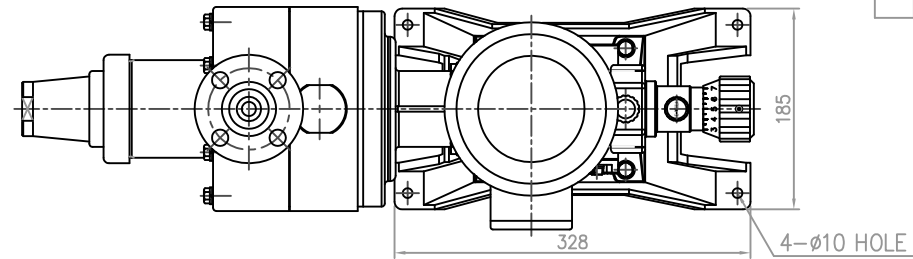
**Note**

1. Model : JSRV8000
2. Material : PP
3. Connection : Flange
4. Drain valve : Installed

이 도면은 (주)이화정량펌프의 기술  
자산이므로 불법 유출시 관계법과  
회사 규정에 의해 처벌 됩니다.-N

Projection		Trigonometry		Drawing Name	PUMP ASSEMBLY-DIM
Scale	1 / 5	Unit	mm		
Drawn by	Designed by	Checked by	Approved by	Application	JSRV8000PCFD-KS 10K 20A FF
2005.6.30				Drawing Number	H1028E3048

JSRV8000S4S4F	Sym.	Description	Rev. No.	Date	Confirmed by		
	△						
	△						
	△						
A	No.	Parts No.	Parts Name	Material	Spec.	Weight	Remark



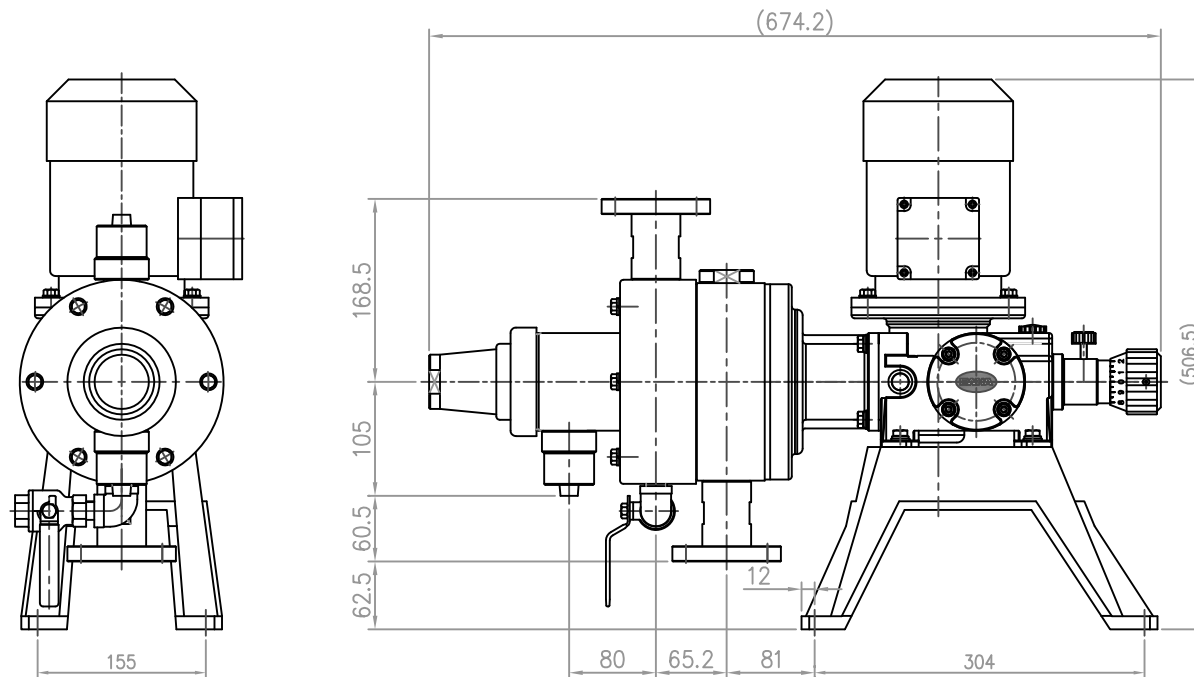
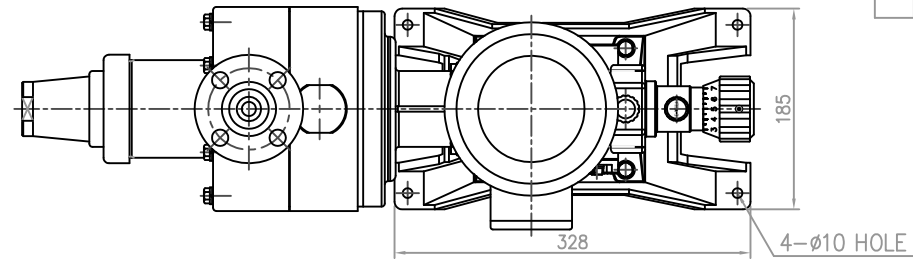
**Note**

1. Model : JSRV8000
2. Material : Stainless steel
3. Connection : Flange
4. Drain valve : Not installed

이 도면은 (주)이화정량펌프의 기술  
자산이므로 불법 유출시 관계법과  
회사 규정에 의해 처벌 됩니다. -N

Projection		Trigonometry		Drawing Name
Scale	1 / 5	Unit	mm	PUMP ASSEMBLY-DIM
Drawn by	Designed by	Checked by	Approved by	Application JSRV8000S4S4F-KS 10K 20A FF
2005.6.30				Drawing Number H1029E3047

JSRV8000S4S4FD		Sym.	Description	Rev. No.	Date	Confirmed by	
		△					
		△					
		△					
		△					
A	No.	Parts No.	Parts Name	Material	Spec.	Weight	Remark



**Note**  
 1. Model : JSRV8000  
 2. Material : Stainless steel  
 3. Connection : Flange  
 4. Drain valve : Installed

이 도면은 (주)이화정량펌프의 기술  
 자산이므로 불법 유출시 관계법과  
 회사 규정에 의해 처벌 됩니다. -N

Projection		Trigonometry		Drawing Name	PUMP ASSEMBLY-DIM
Scale	1 / 5	Unit	mm		
Drawn by	Designed by	Checked by	Approved by	Application	JSRV8000S4S4FD-KS 10K 20A FF
2005.6.30				Drawing Number	H1029E3048