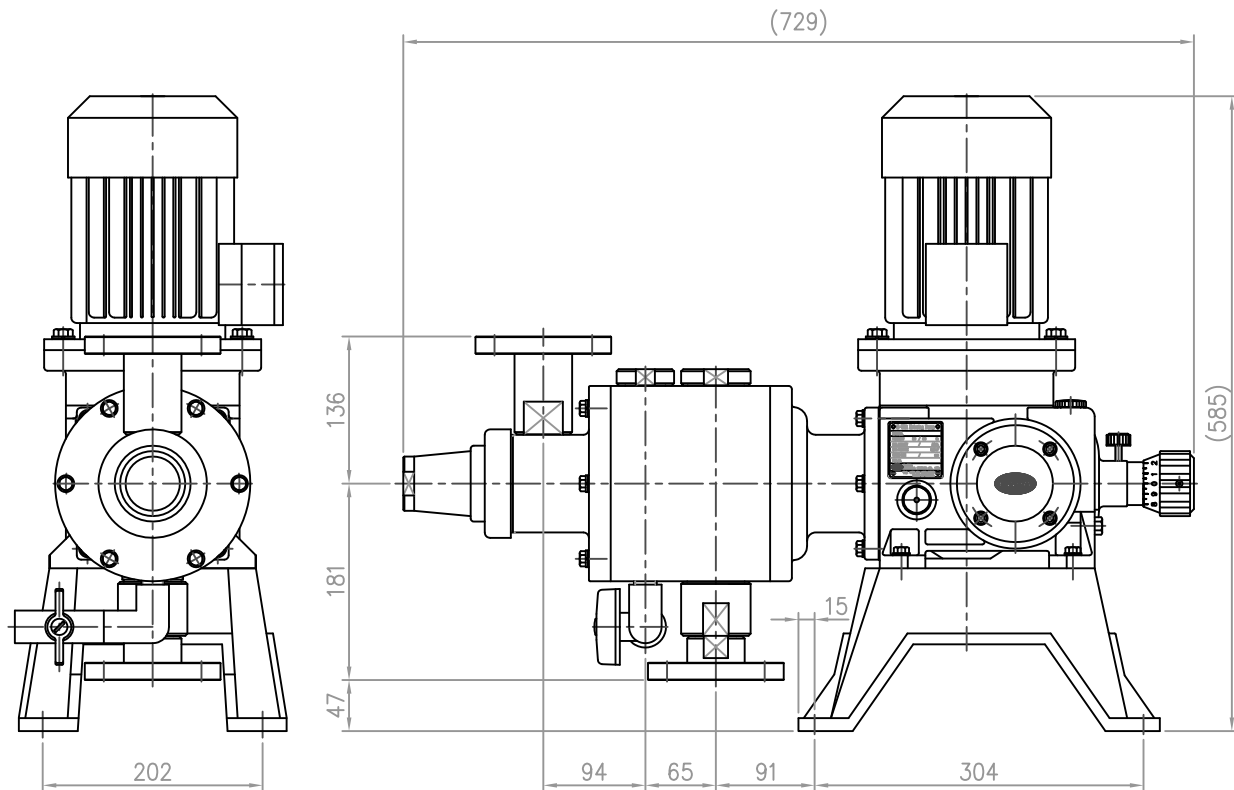
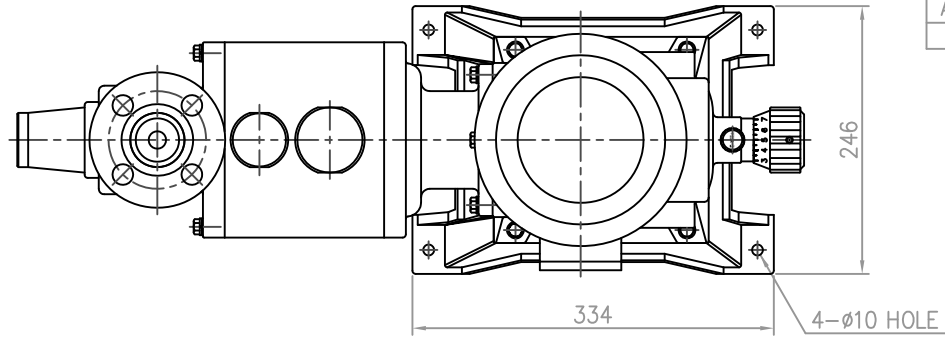


JMBV10LPCF		Sym.	Description	Rev. No.	Date	Confirmed by	
		△					
		△					
		△					
		△					
A	No.	Parts No.	Parts Name	Material	Spec.	Weight	Remark

이 도면은 (주)이화정량펌프의 기술
자산이므로 불법 유통시 관계법과
회사 규정에 의해 처벌 됩니다.

Projection		Triangle Method		Drawing Name	PUMP ASSEMBLY-DIM
Scale	1 / 5	Unit	mm		
Drawn by	Designed by	Checked by	Approved by	Application	JMBV10LPCF-KS 10K 25A FF
2001.03.25				Drawing Number	N1014E3051

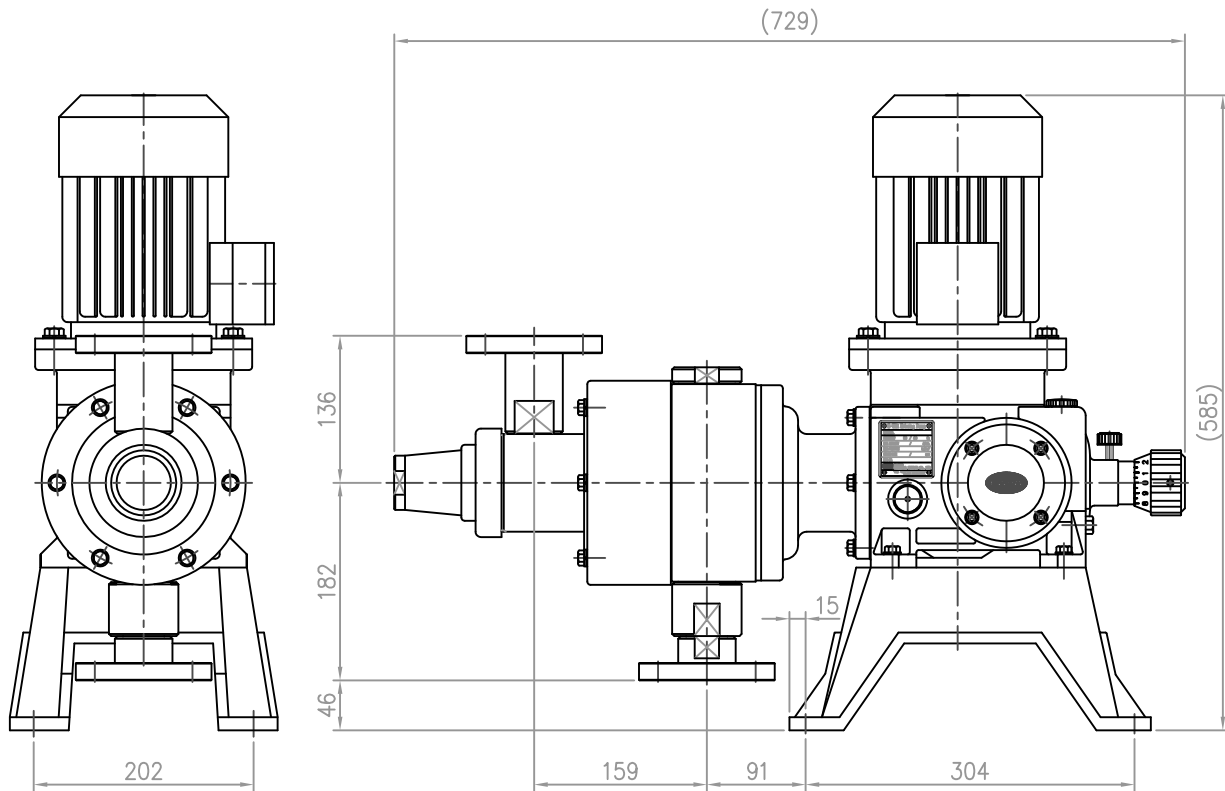
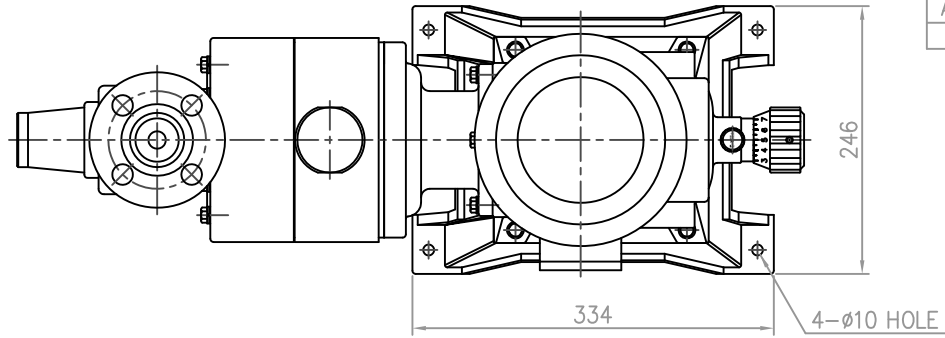


JMBV10LPCFD	Sym.	Description	Rev. No.	Date	Confirmed by
	△				
	△				
	△				
	△				

A	No.	Parts No.	Parts Name	Material	Spec.	Weight	Remark

이 도면은 (주)이화정량펌프의 기술
자산이므로 불법 유통시 관계법과
회사 규정에 의해 처벌 됩니다.

Projection		Triangle Method		Drawing Name	PUMP ASSEMBLY-DIM
Scale	1 / 5	Unit	mm		
Drawn by	Designed by	Checked by	Approved by	Application	JMBV10LPCFD-KS 10K 25A FF
2001.03.25				Drawing Number	N1014E3052

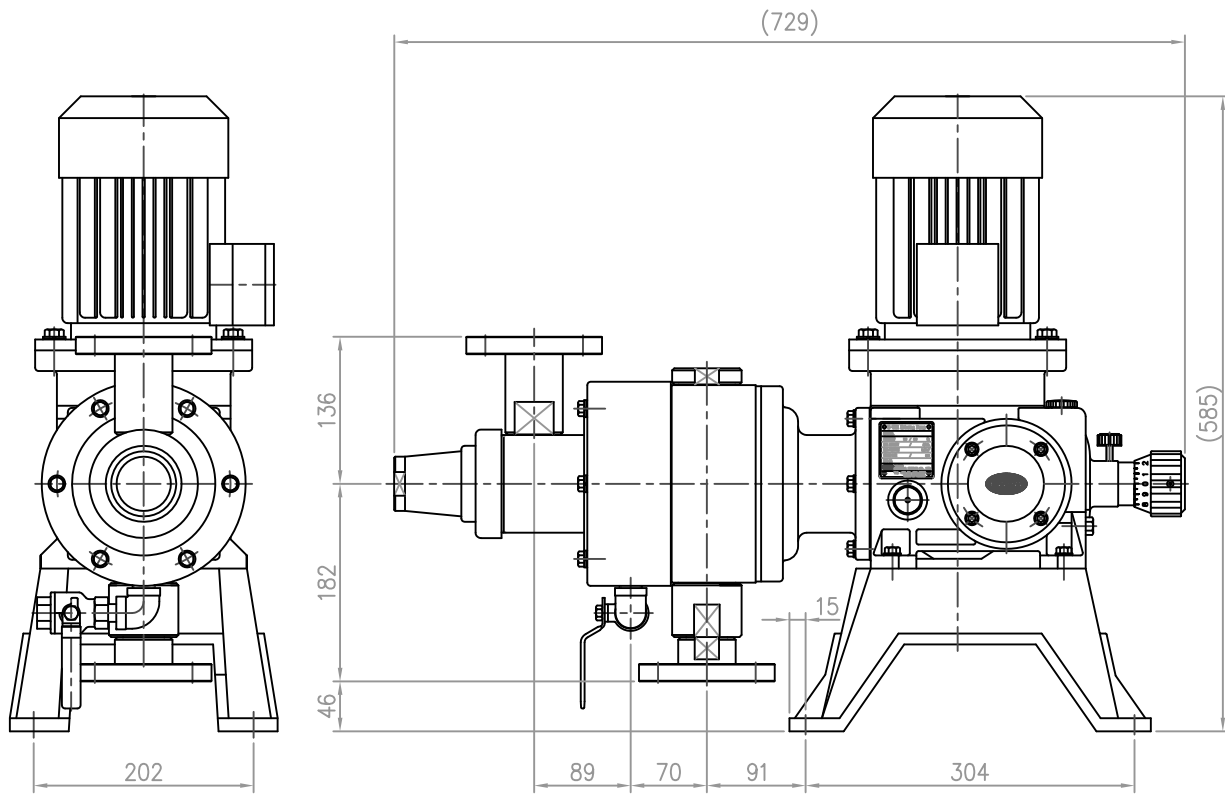
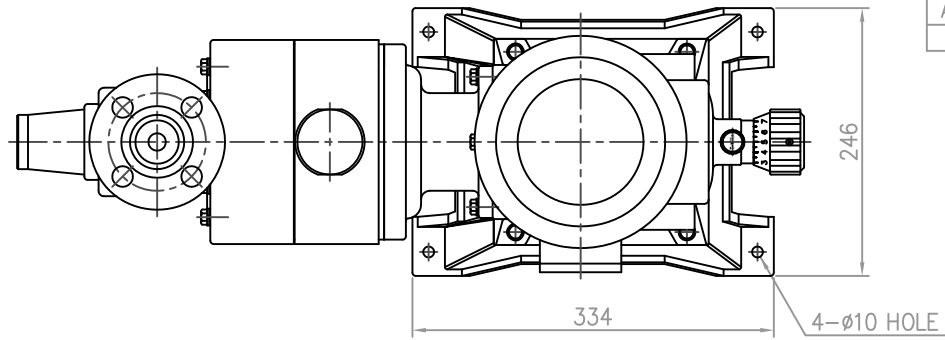


JMBV10LS4S4F	Sym.	Description	Rev. No.	Date	Confirmed by
	△				
	△				
	△				

A	No.	Parts No.	Parts Name	Material	Spec.	Weight	Remark

이 도면은 (주)이화정량펌프의 기술
자산이므로 불법 유통시 관계법과
회사 규정에 의해 처벌 됩니다.

Projection		Triangle Method		Drawing Name	PUMP ASSEMBLY-DIM
Scale	1 / 5	Unit	mm		
Drawn by	Designed by	Checked by	Approved by	Application	JMBV10LS4S4F-KS 10K 25A FF
2001.03.25				Drawing Number	N1015E3051



JMBV10LS4S4FD	Sym.	Description	Rev. No.	Date	Confirmed by
	△				
	△				
	△				
	△				

A	No.	Parts No.	Parts Name	Material	Spec.	Weight	Remark

이 도면은 (주)이화정량펌프의 기술
자산이므로 불법 유통시 관계법과
회사 규정에 의해 처벌 됩니다.

Projection		Triangle Method		Drawing Name	PUMP ASSEMBLY-DIM
Scale	1 / 5	Unit	mm		
Drawn by	Designed by	Checked by	Approved by	Application	JMBV10LS4S4FD-KS 10K 25A FF
2001.03.25				Drawing Number	H1015E3052