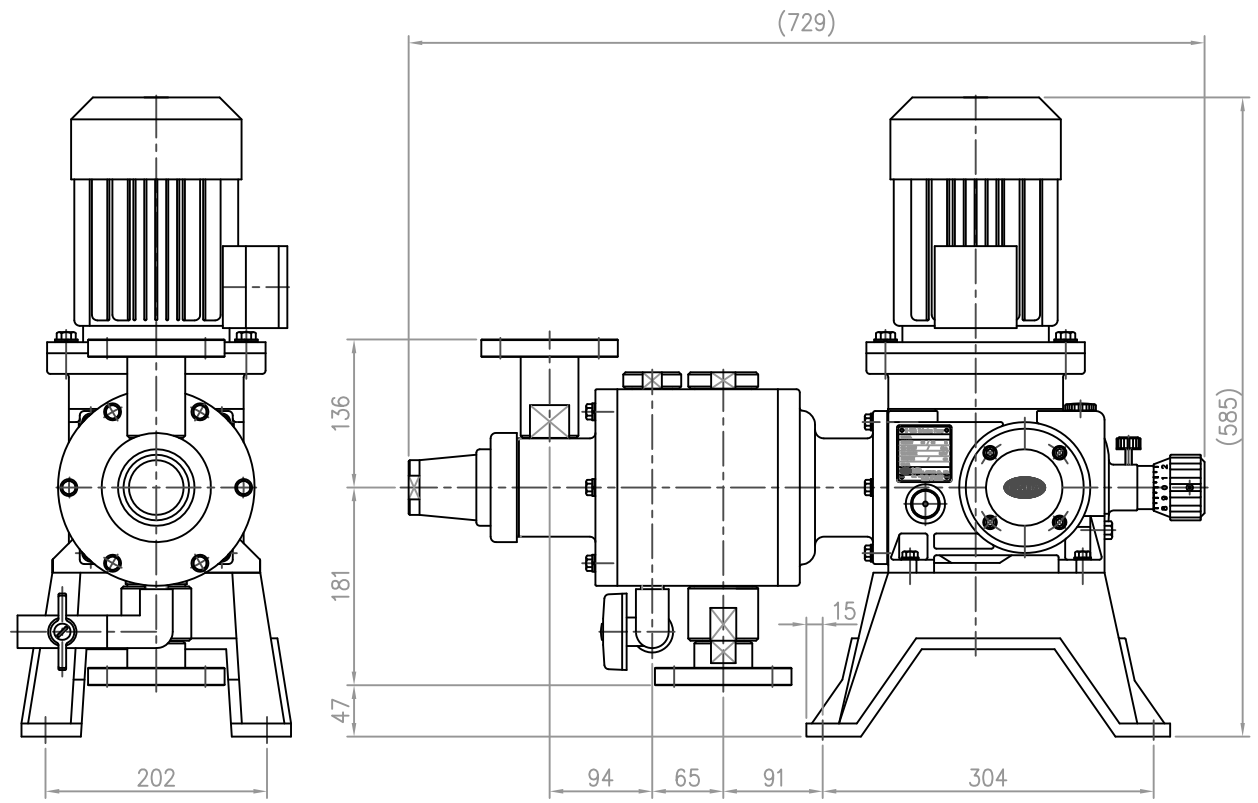
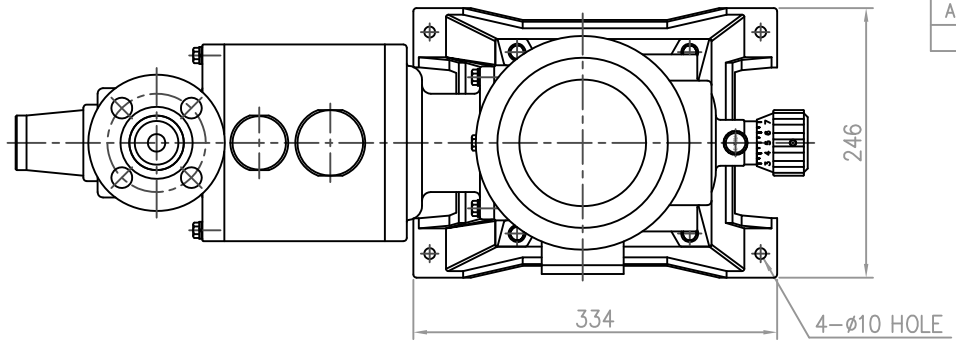


JMBV14LPCF	Sym.	Description	Rev. No.	Date	Confirmed by		
	△						
	△						
	△						
A	No.	Parts No.	Parts Name	Material	Spec.	Weight	Remark

이 도면은 (주)이화정량펌프의 기술  
자산이므로 불법 유출시 관계법과  
회사 규정에 의해 처벌 됩니다.

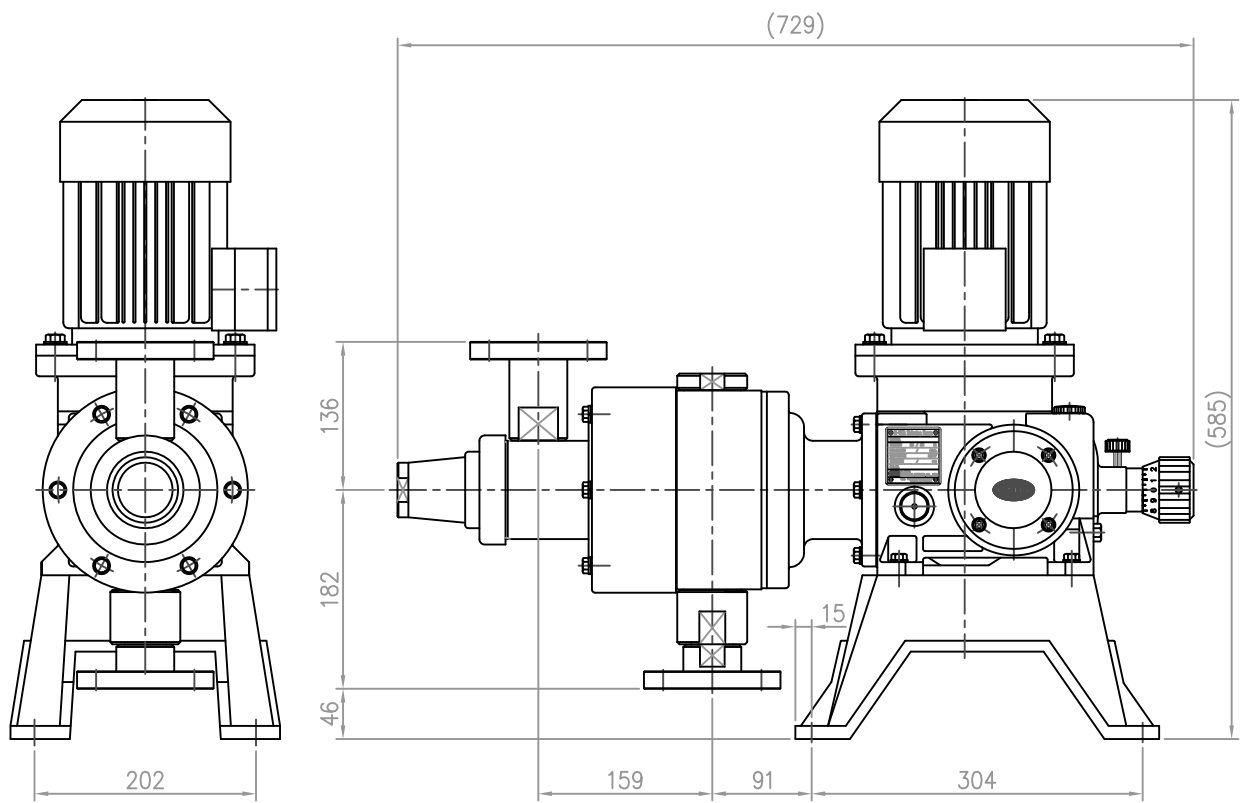
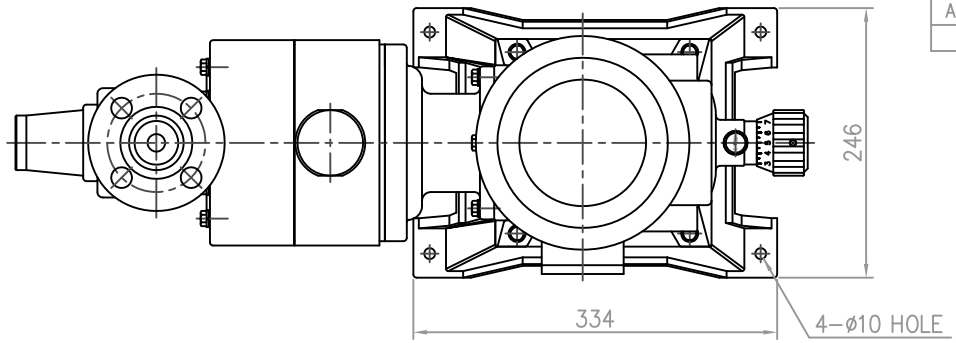
Projection		Triangle Method		Drawing Name	PUMP ASSEMBLY-DIM
Scale	1 / 5	Unit	mm		
Drawn by	Designed by	Checked by	Approved by	Application	JMBV14LPCF-KS 10K 25A FF
2001.03.25				Drawing Number	N1014E3055



JMBV14LPCFD	Sym.	Description	Rev. No.	Date	Confirmed by		
	△						
	△						
	△						
	△						
A	No.	Parts No.	Parts Name	Material	Spec.	Weight	Remark

이 도면은 (주)이화정량펌프의 기술  
자산이므로 불법 유출시 관계법과  
회사 규정에 의해 처벌 됩니다.

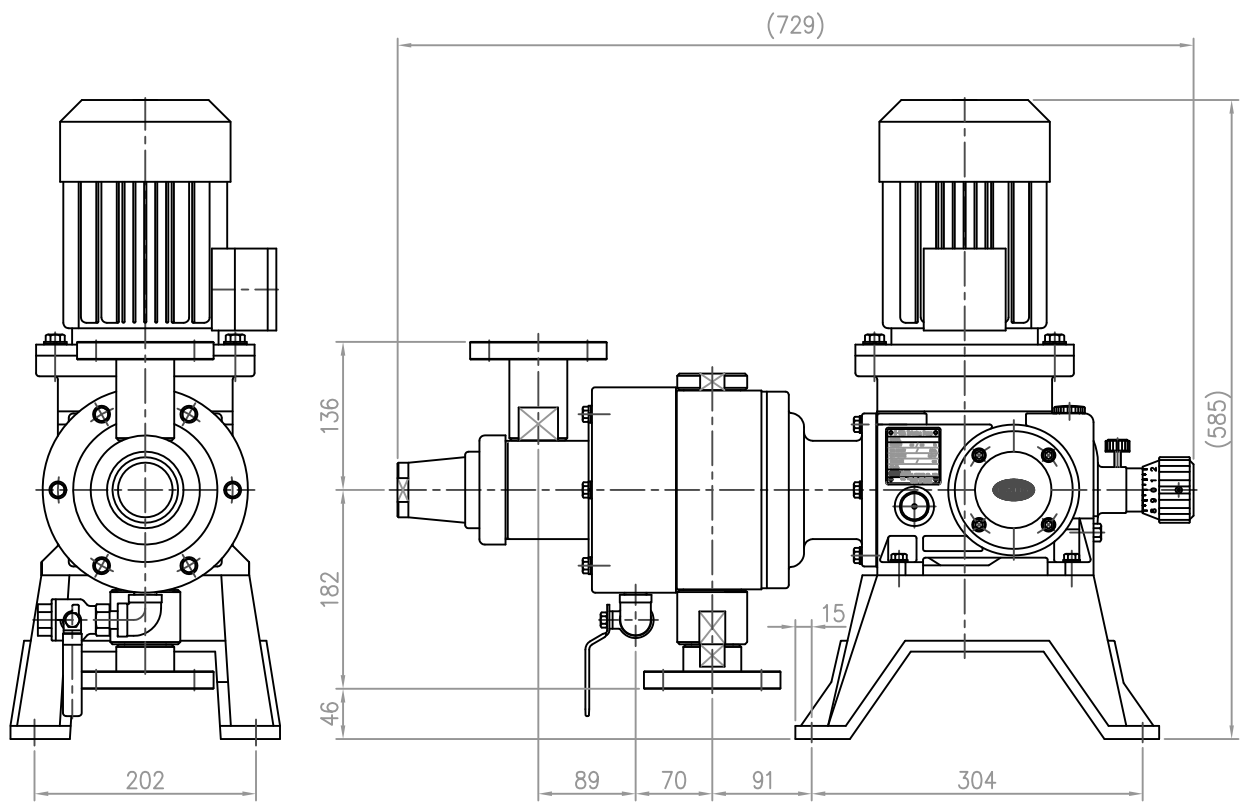
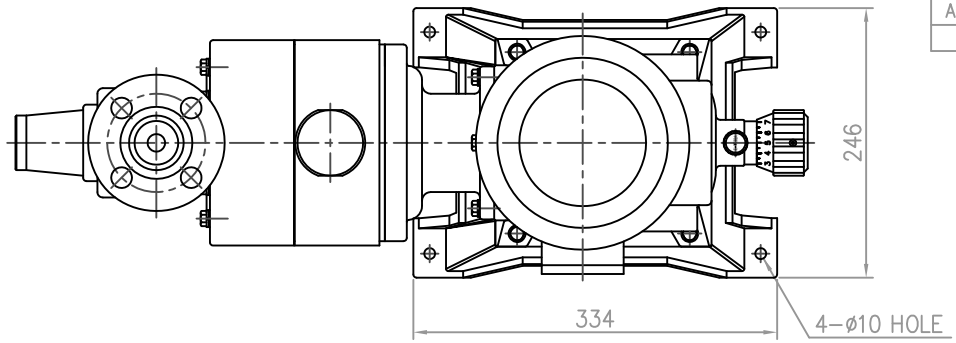
Projection		Triangle Method		Drawing Name	PUMP ASSEMBLY-DIM
Scale	1 / 5	Unit	mm		
Drawn by	Designed by	Checked by	Approved by	Application	JMBV14LPCFD-KS 10K 25A FF
2001.03.25				Drawing Number	N1014E3056



JMBV14LS4S4F	Sym.	Description	Rev. No.	Date	Confirmed by		
	△						
	△						
	△						
A	No.	Parts No.	Parts Name	Material	Spec.	Weight	Remark

이 도면은 (주)이화정량펌프의 기술  
자산이므로 불법 유출시 관계법과  
회사 규정에 의해 처벌 됩니다.

Projection	Triangle Method	Drawing Name	<b>PUMP ASSEMBLY-DIM</b>
Scale 1 / 5	Unit mm		
Drawn by 2001.03.25	Designed by	Checked by	Application JMBV14LS4S4F-KS 10K 25A FF
			Drawing Number <b>N1015E3055</b>



JMBV14LS4S4FD	Sym.	Description	Rev. No.	Date	Confirmed by		
	△						
	△						
	△						
	△						
A	No.	Parts No.	Parts Name	Material	Spec.	Weight	Remark

이 도면은 (주)이화정량펌프의 기술  
자산이므로 불법 유출시 관계법과  
회사 규정에 의해 처벌 됩니다.

Projection		Triangle Method		Drawing Name	PUMP ASSEMBLY-DIM
Scale	1 / 5	Unit	mm		
Drawn by	Designed by	Checked by	Approved by	Application	JMBV14LS4S4FD-KS 10K 25A FF
2001.03.25				Drawing Number	H1015E3056