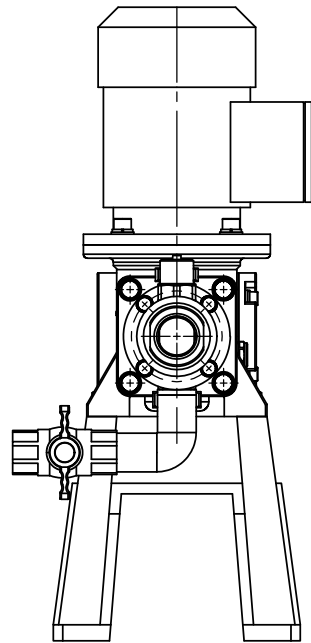
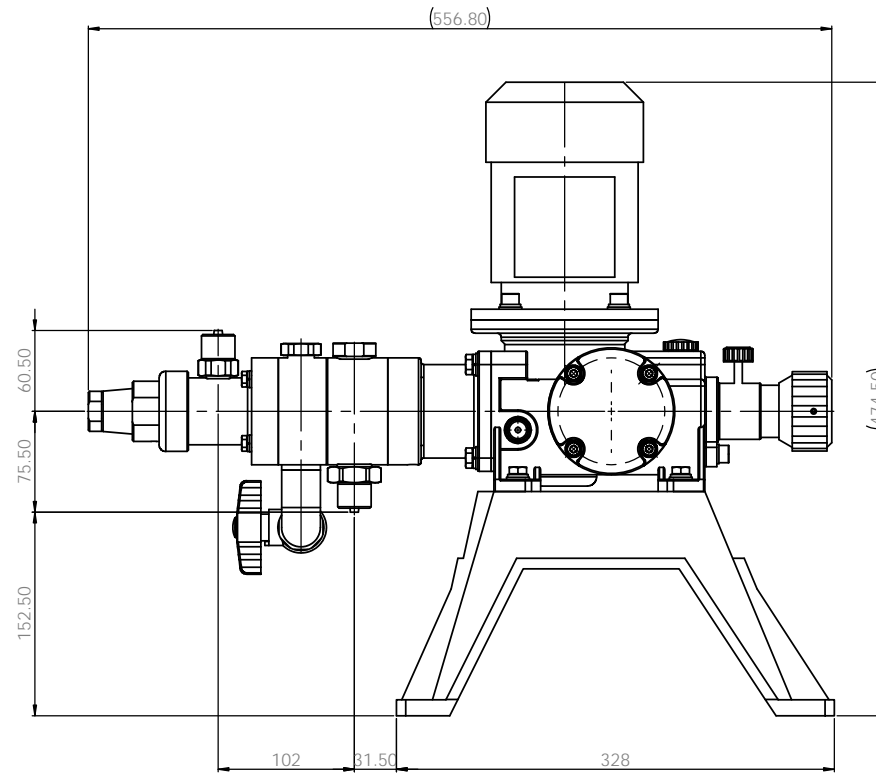
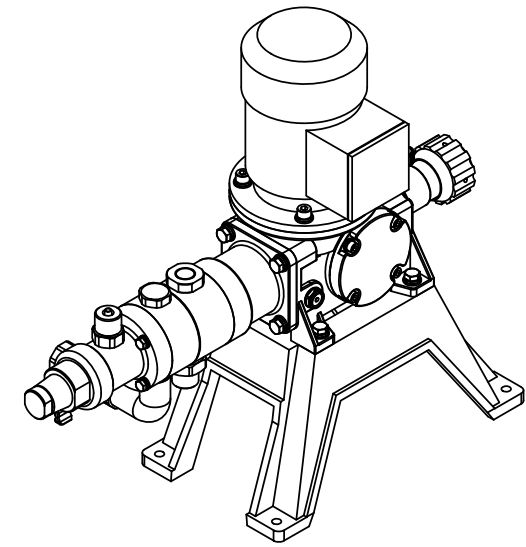
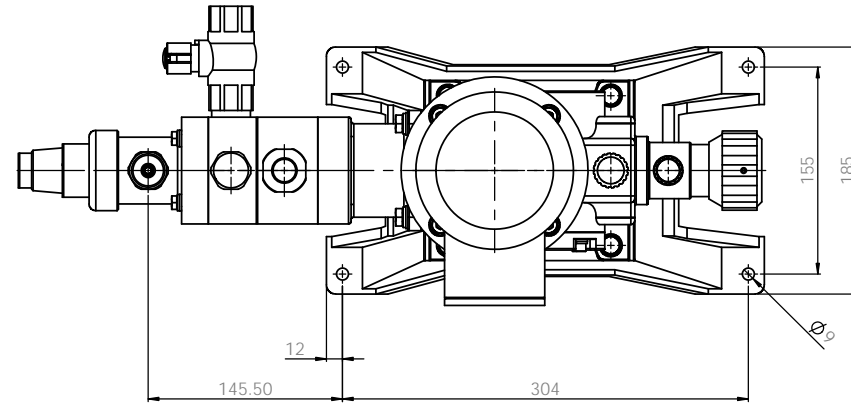


Note

1. Model : JSBV25
2. Material : PP / PVdF
3. Connection : Hose
4. Drain valve : Not installed

ALL DIMENSIONS SPECIFIED UNLESS OTHERWISE SPECIFIED DIMENSIONS ARE IN MILLIMETERS UNLESS INDICATED OTHERWISE		FINISH		EDGE AND BREAK SHARP ENDS		DO NOT SCALE DRAWING		REVISION	
DATE	BY	DATE	BY	DATE	BY	E-WHA CHEMICAL FEEDER CO., LTD.			
2024.02.21		2024.02.21				PUMP ASSEMBLY-DIM			
2024.02.21		2024.02.21				JSBV25PCH-H06			
2024.02.21		2024.02.21				MATERIAL			
						PP			
						DIMENSION			
						BD1000E1001A			
SCALE 1:1						SHEET 1 OF 1			



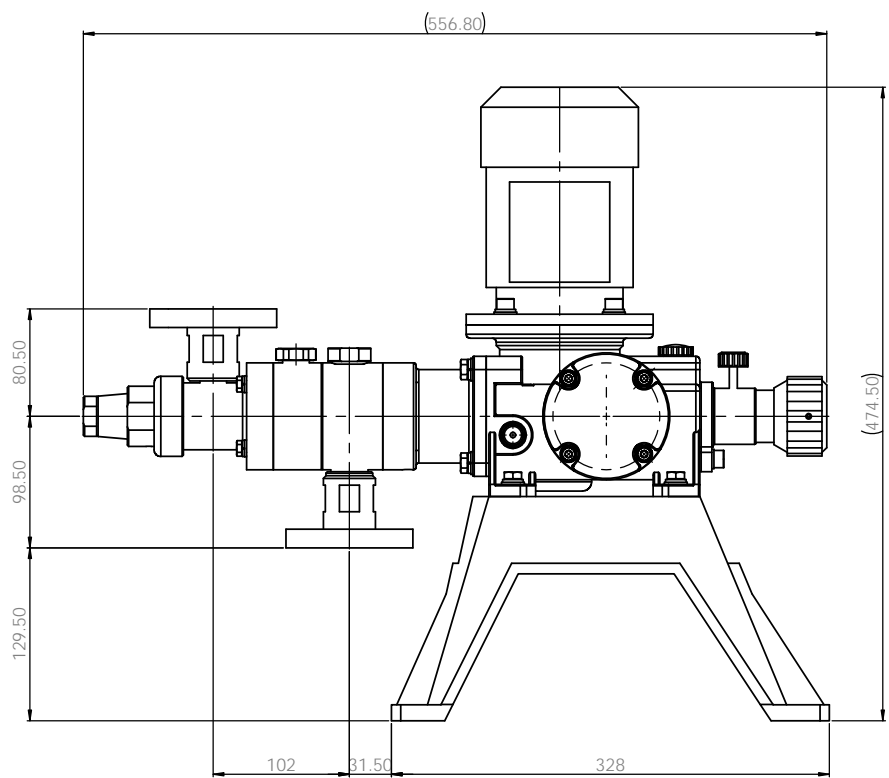
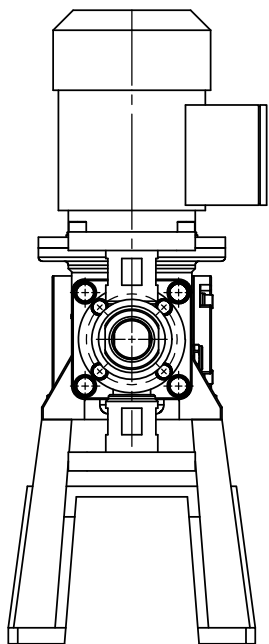
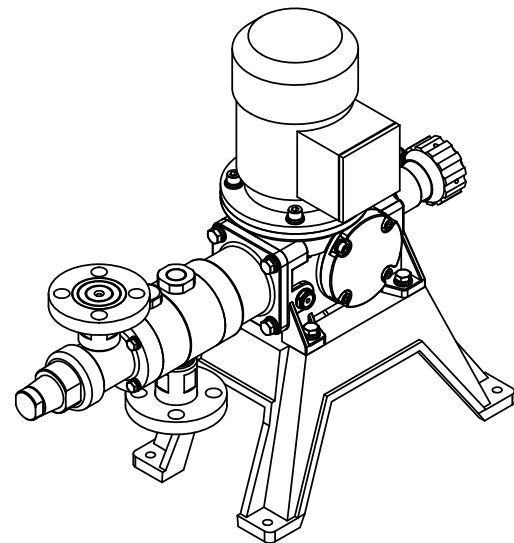
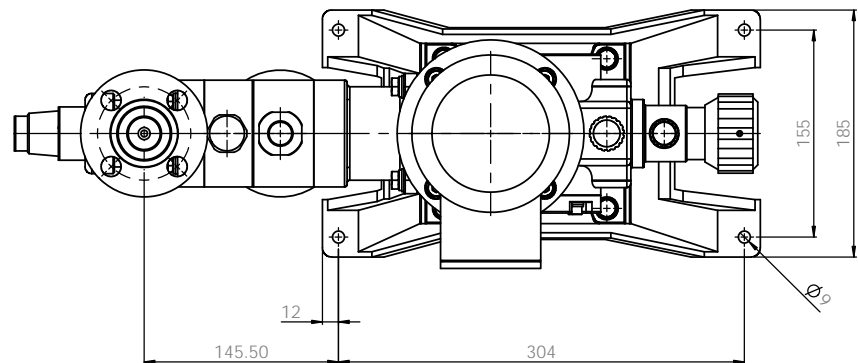
Note

1. Model : JSBV25
2. Material : PP
3. Connection : Hose
4. Drain valve : Installed

ALL DIMENSIONS SPECIFIED UNLESS OTHERWISE SPECIFIED DIMENSIONS ARE IN MILLIMETERS		UNITS		SCALE AND BREAK SHARP EDGES		DO NOT SCALE DRAWING		REVISION	
TOLERANCES UNLESS OTHERWISE SPECIFIED									
LINEAR		ANGULAR							
DATE	BY	DATE	BY	DATE	BY	DATE	BY	DATE	BY
2024.02.21		2024.02.21		2024.02.21		2024.02.21		2024.02.21	
2024.02.21		2024.02.21		2024.02.21		2024.02.21		2024.02.21	
MATERIAL		PP		DIMENSION		BD1000E1002A		A1	
SCALE 1:1								SHEET 1 OF 1	

E-WHA CHEMICAL FEEDER CO., LTD.

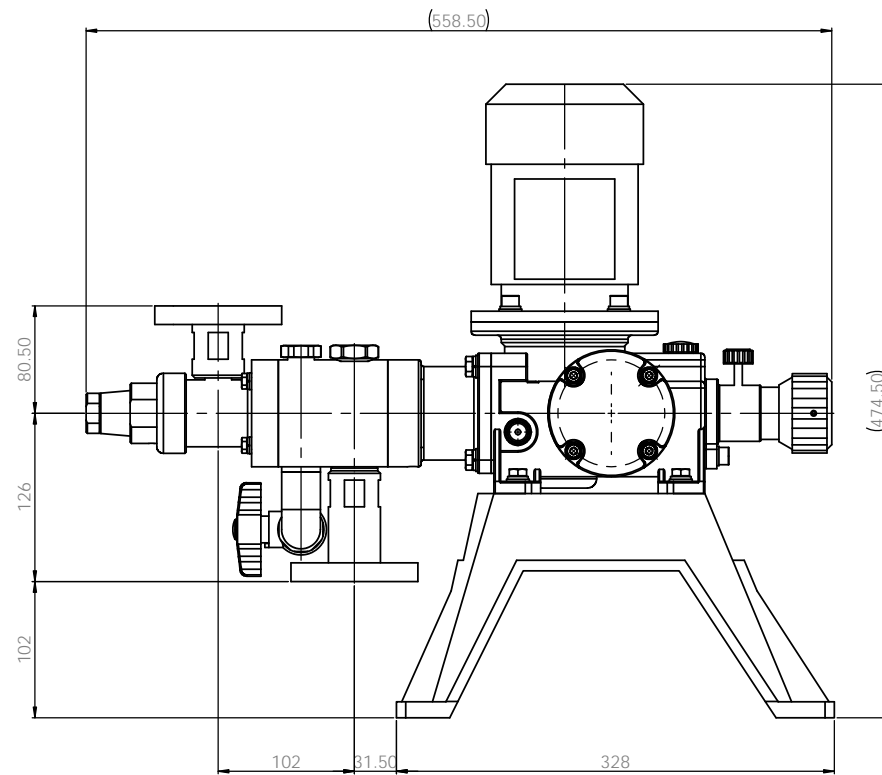
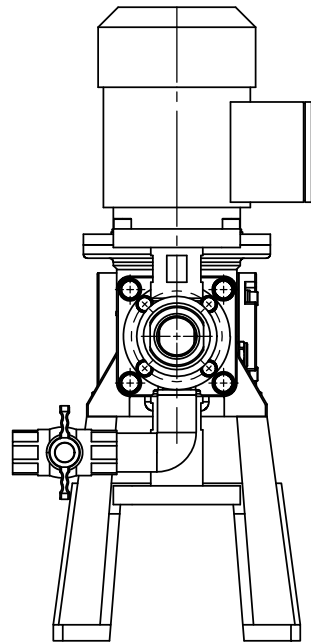
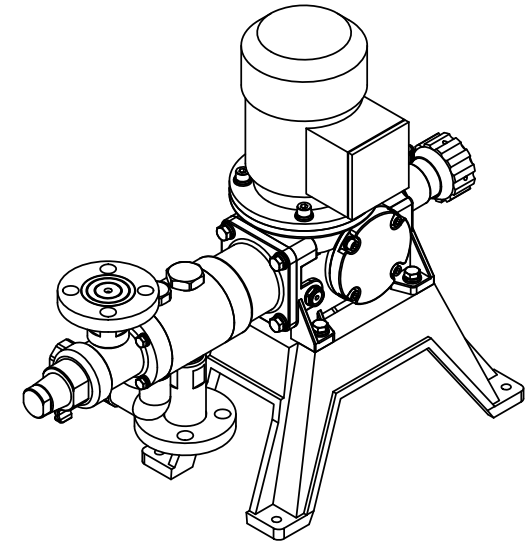
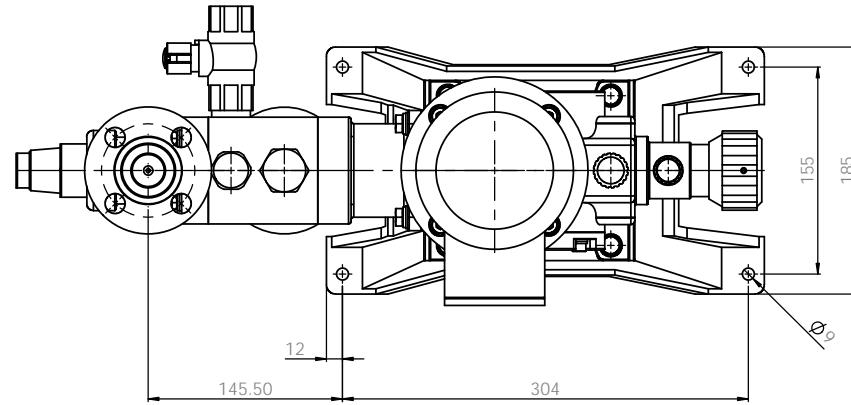
PUMP ASSEMBLY-DIM
JSBV25PCHD-H06



Note

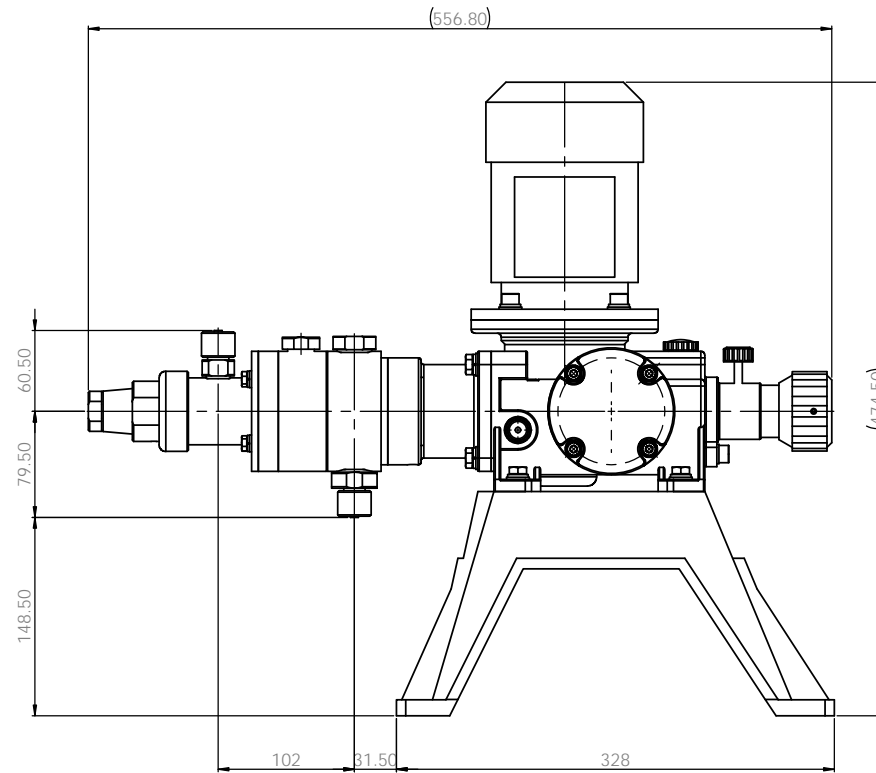
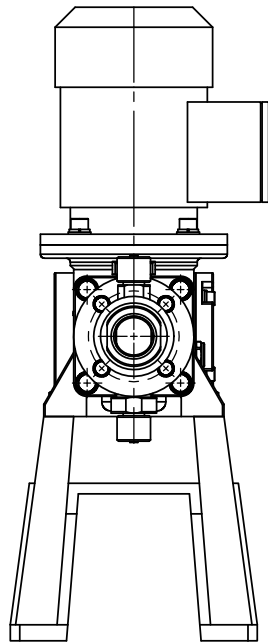
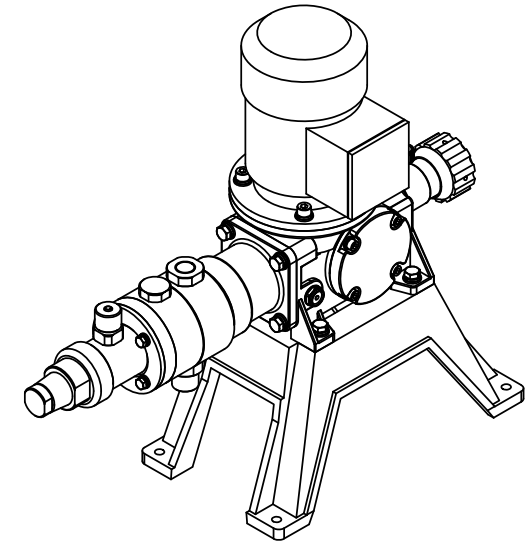
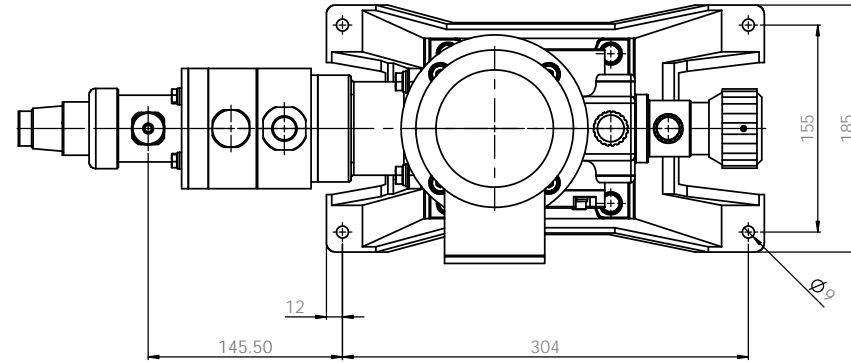
1. Model : JSBV25
2. Material : PP / PVdF
3. Connection : Flange
4. Drain valve : Not installed

ALL DIMENSIONS SPECIFIED UNLESS OTHERWISE SPECIFIED DIMENSIONS ARE IN MILLIMETERS TOLERANCES: HORIZONTAL ANGULAR			FINISH BRASS AND BRASS SHARP POLISH		DO NOT SCALE DRAWING REVISION	
DRAWN: W. PARK CHECK: W. PARK APPROV: S.C. KIM DATE: 2020.02.21 DATE: 2020.02.21 DATE: 2020.02.21	DESIGNED: W. PARK DATE: 2020.02.21	DRAWING NO. 1003A	PART NO. BD1000E1003A	MATERIAL PP	SHEET NO. A1	E-WHA CHEMICAL FEEDER CO., LTD. PUMP ASSEMBLY-DIM JSBV25PCF-KS 10K 15A
SCALE 1:1			SHEET 1 OF 1			



Note
 1. Model : JSBV25
 2. Material : PP
 3. Connection : Flange
 4. Drain valve : Installed

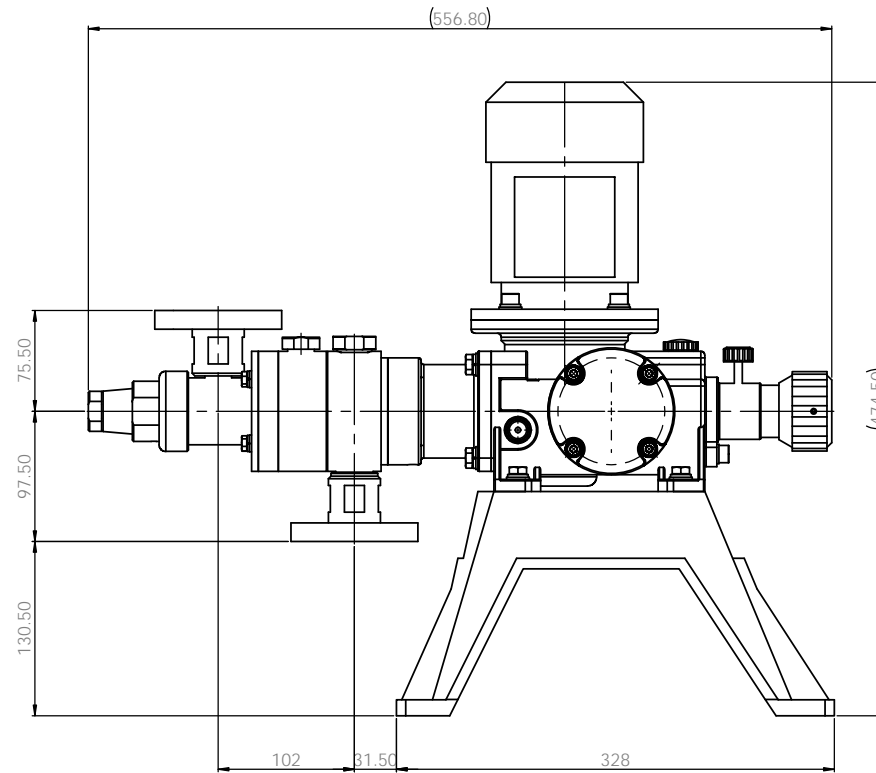
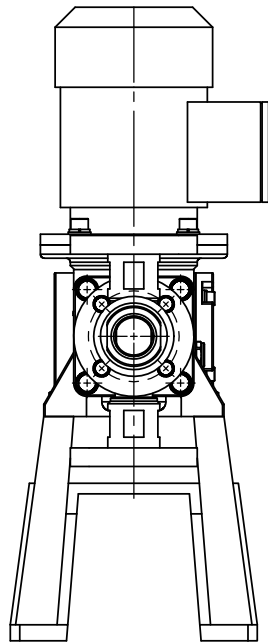
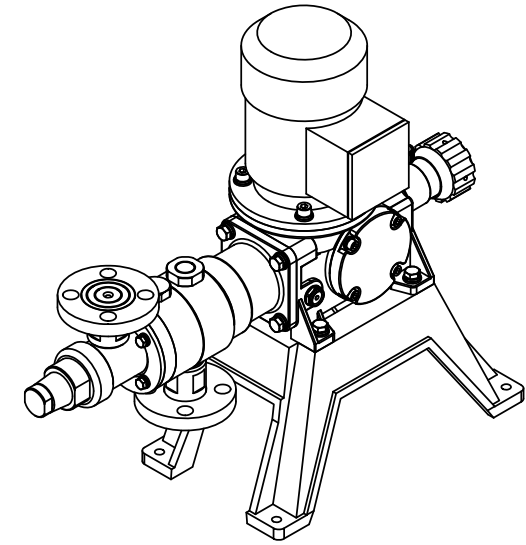
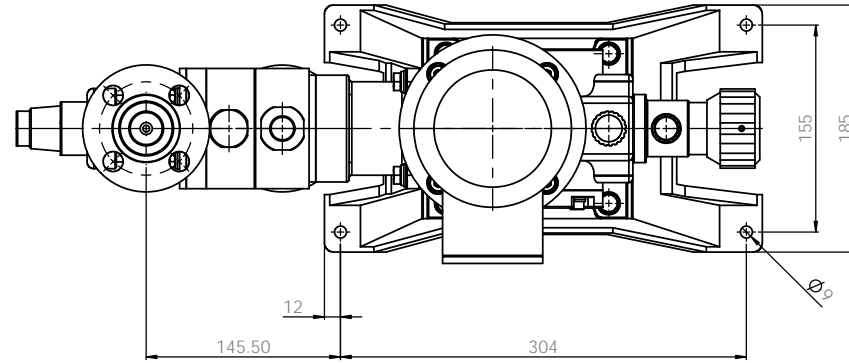
PUMP ASSEMBLY-DIM		E-WHA CHEMICAL FEEDER CO., LTD.	
JSBV25PCFD-KS 10K 15A		PUMP ASSEMBLY-DIM	
JSBV25PCFD-KS 10K 15A		JSBV25PCFD-KS 10K 15A	
PP		BD1000E1004A	
SCALE 1:1		SHEET 1 OF 1	



Note

1. Model : JSBV25
2. Material : PTFE
3. Connection : Hose
4. Drain valve : N / A

ALL DIMENSIONS SPECIFIED UNLESS OTHERWISE SPECIFIED DIMENSIONS ARE IN MILLIMETERS UNLESS INDICATED OTHERWISE		FINISH		EDGE AND BREAK SHARP ENDS		DO NOT SCALE DRAWING		REVISION	
DATE	BY	DATE	BY	DATE	BY	DATE	BY	DATE	BY
2024.02.21	W. PARK	2024.02.21	W. PARK	2024.02.21	S.C. KIM	2024.02.21			
2024.02.21	W. PARK	2024.02.21	W. PARK	2024.02.21	S.C. KIM	2024.02.21			
2024.02.21	S.C. KIM	2024.02.21	S.C. KIM	2024.02.21		2024.02.21			
2024.02.21		2024.02.21		2024.02.21		2024.02.21			
MATERIAL		PTFE		DIMENSION		BD1004E1001A		A1	
SCALE 1:1		SHEET 1 OF 1		E-WHA CHEMICAL FEEDER CO., LTD.		PUMP ASSEMBLY-DIM JSBV25TCH-H06			



Note

1. Model : JSBV25
2. Material : PTFE
3. Connection : Flange
4. Drain valve : N / A

ALL DIMENSIONS SPECIFIED UNLESS OTHERWISE SPECIFIED DIMENSIONS ARE IN MILLIMETERS TOLERANCES: FINISH: ANGULAR:			FINISH: BRASS AND BRASS SHARP EDGE:	DO NOT SCALE DRAWING REVISION:
DRAWN: W. PAKK CHECK: W. PAKK APPROV: S.C. KIM DATE: 2020.02.21 DATE: 2020.02.21 DATE: 2020.02.21	DESIGNED: DATE:	MATERIAL: PTFE	PART NO: BD1004E1003A	SHEET NO: A1
E-WHA CHEMICAL FEEDER CO., LTD. PUMP ASSEMBLY-DIM JSBV25TCF-KS 10K 15A			SCALE: 1:1	SHEET 1 OF 1