

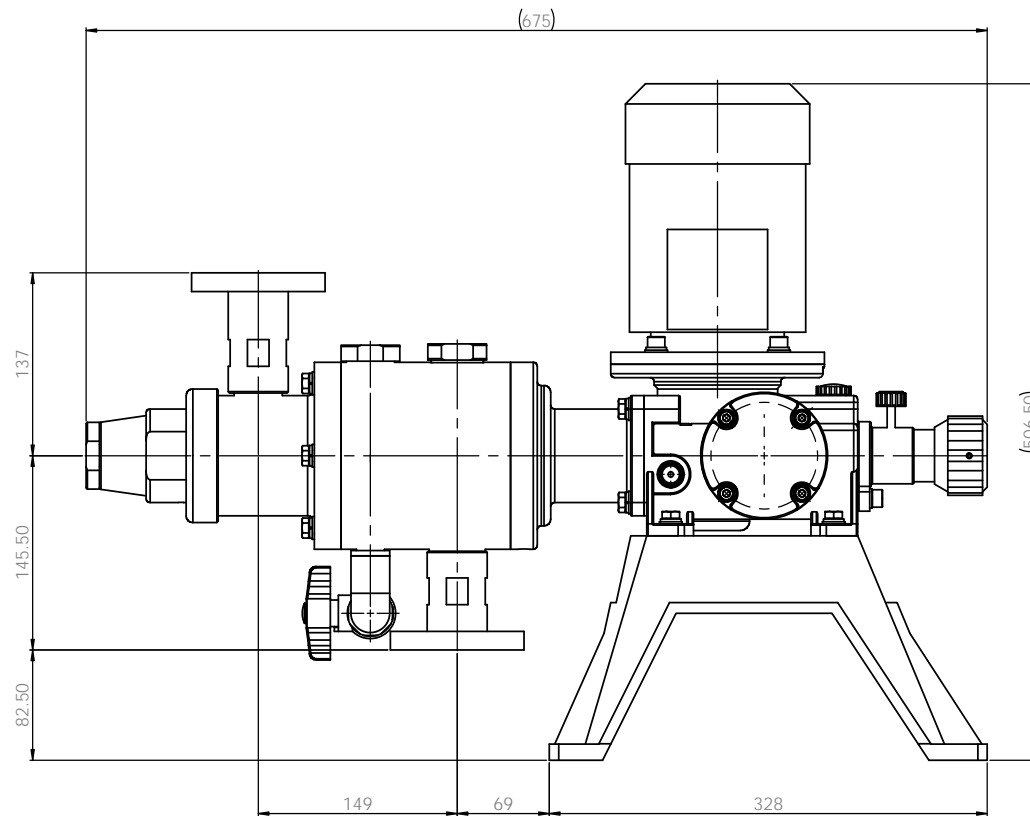
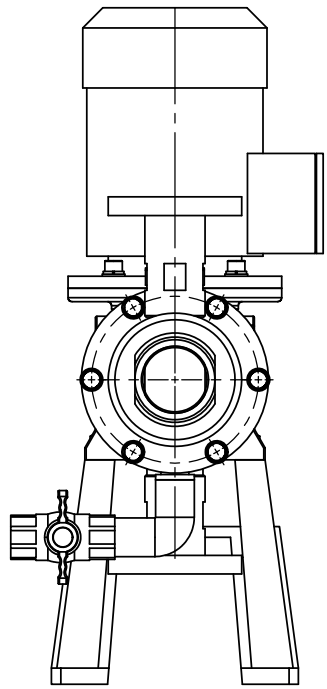
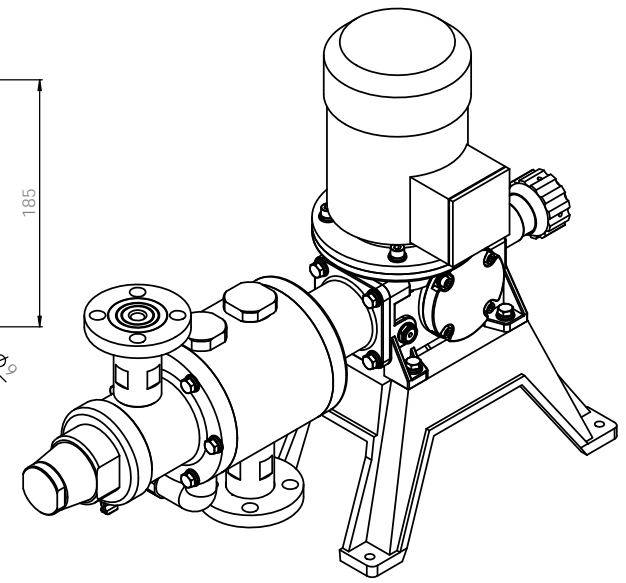
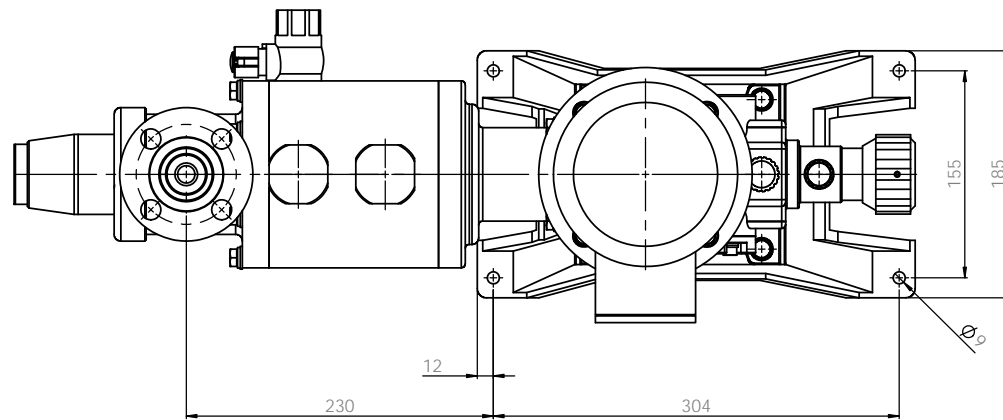
**Note**  
 1. Model : JSBV4000  
 2. Material : PP / PVdF  
 3. Connection : Flange  
 4. Drain valve : Not installed

REVISIONS				SCALE AND BREAK SHARP EDGES		DO NOT SCALE DRAWING		REVISION	
NO.	DATE	BY	CHKD	SCALE	BREAK	SCALE	NO.	DESCRIPTION	DATE
1	2020.02.21	W. PAK					1		
2	2020.02.21	W. PAK					2		
3	2020.02.22	S.C. KHA					3		
4							4		
MATERIAL				PP		DIMENSION		A1	
PARTS LIST				EQUIPMENT		DRAWING NO.		SHEET 1 OF 1	

E-WHA CHEMICAL FEEDER CO., LTD.

PUMP ASSEMBLY-DIM  
 JSBV4000PCF-KS 10K 20A

BD1000E1035B



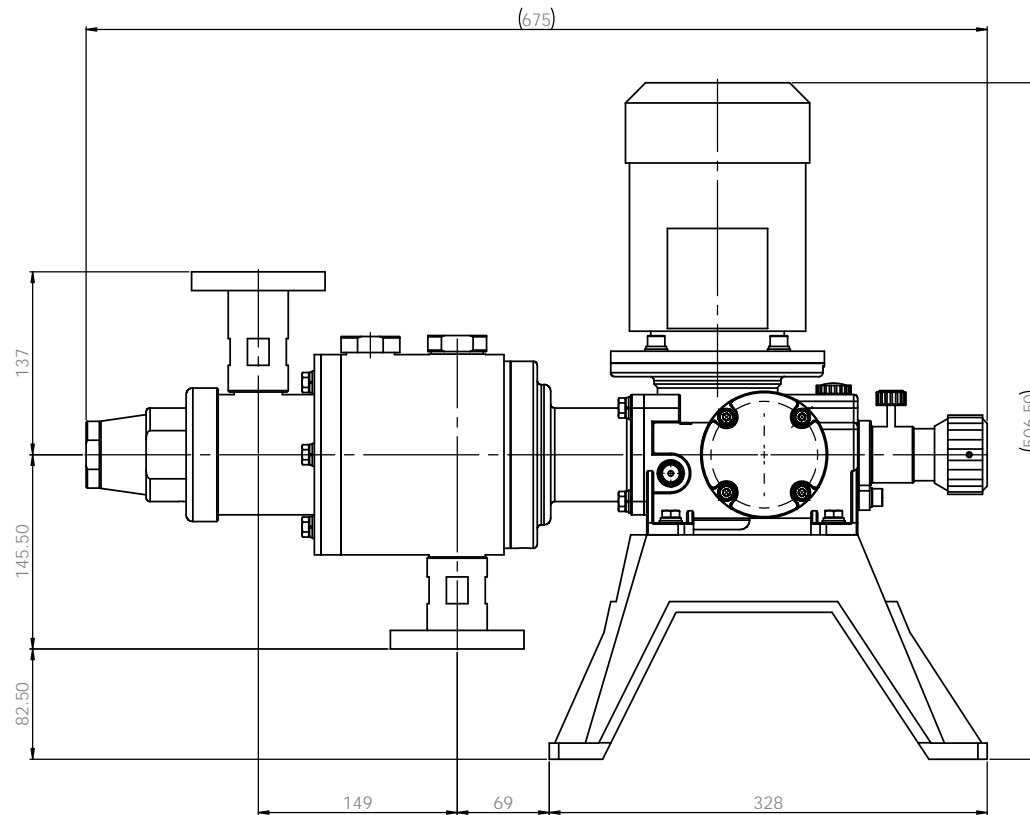
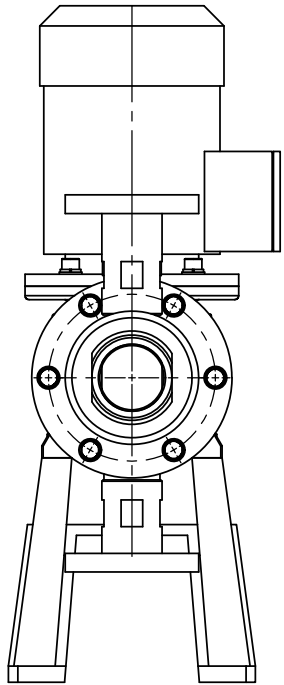
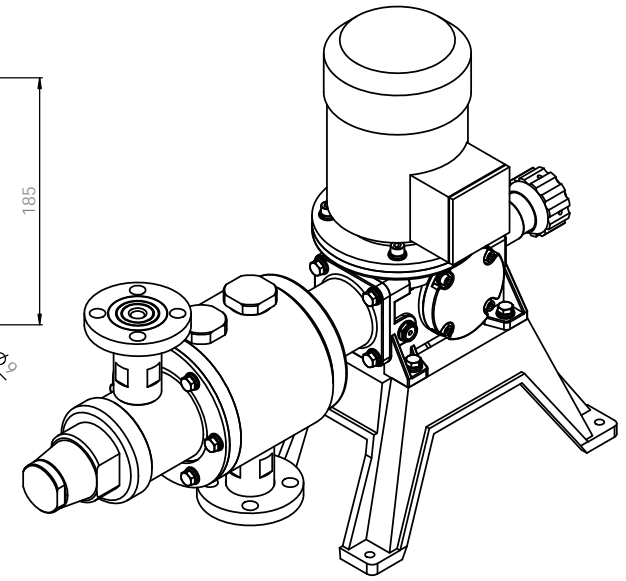
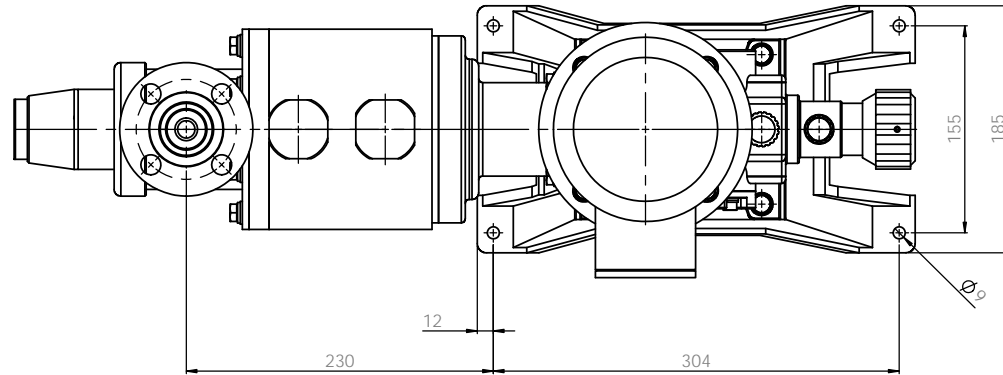
**Note**  
 1. Model : JSBV4000  
 2. Material : PP  
 3. Connection : Flange  
 4. Drain valve : Installed

REVISIONS				SCALE AND BREAK SHARP EDGES		DO NOT SCALE DRAWING		REVISION	
NO.	DATE	BY	CHKD	SCALE	BREAK	SCALE	NO.	DESCRIPTION	DATE
1	2020.02.21								
2	2020.02.21								
3	2020.02.22								
DRAWN: W. PARK				CHECKED: W. PARK		DATE: 2020.02.21		BY: W. PARK	
DESIGNED: S.C. KIM				CHECKED: S.C. KIM		DATE: 2020.02.22		BY: S.C. KIM	
MATERIAL: PP				SCALE: 1:1		SHEET: 1 OF 1		DRAWING NO: BD1000E1036B	

E-WHA CHEMICAL FEEDER CO., LTD.

PUMP ASSEMBLY-DIM  
 JSBV4000PCFD-KS 10K 20A

BD1000E1036B A1



**Note**

1. Model : JSBV4000
2. Material : PTFE
3. Connection : Flange
4. Drain valve : N / A

REVISIONS				SCALE AND BENCH MARK		DO NOT SCALE DRAWING		REVISION	
NO.	DATE	BY	CHKD	SCALE	MARK	NO.	DESCRIPTION	NO.	DESCRIPTION
1	2020.02.21	W. PARK				1		1	
2	2020.02.21	W. PARK				2		2	
3	2020.02.22	S.C. KIM				3		3	
4						4		4	
5						5		5	
6						6		6	
7						7		7	
8						8		8	
9						9		9	
10						10		10	
11						11		11	
12						12		12	
13						13		13	
14						14		14	
15						15		15	
16						16		16	

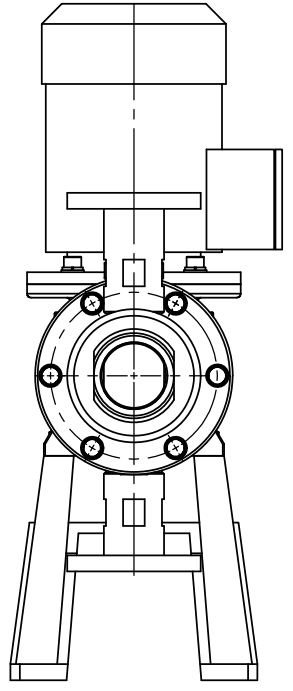
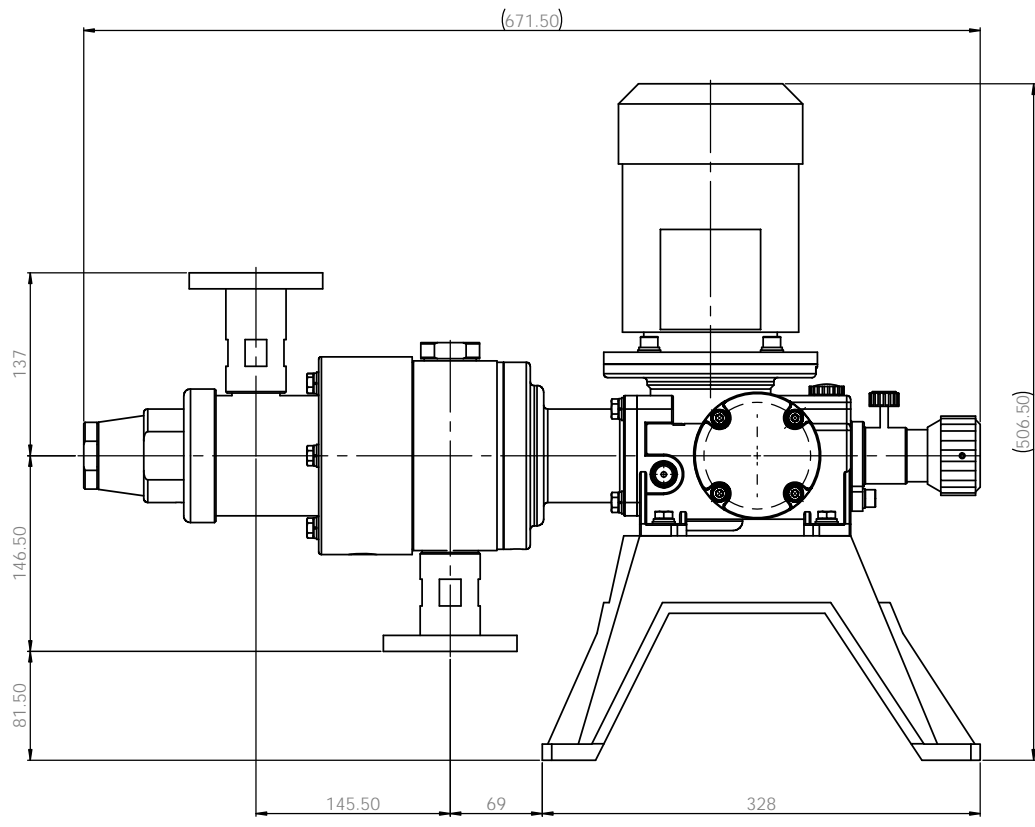
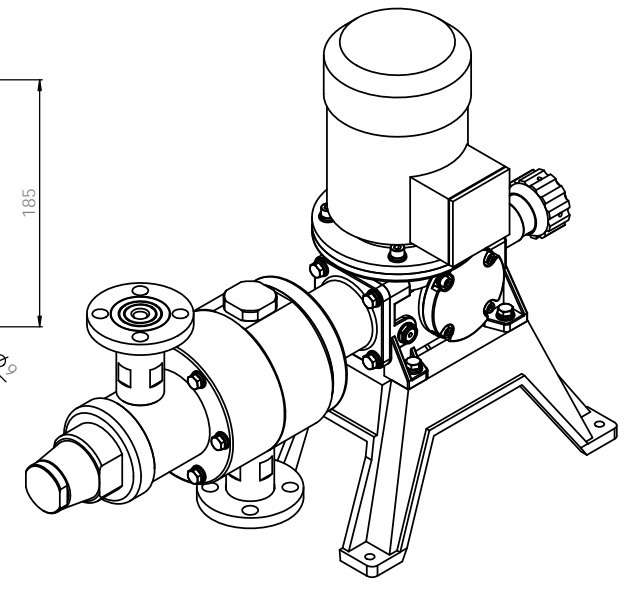
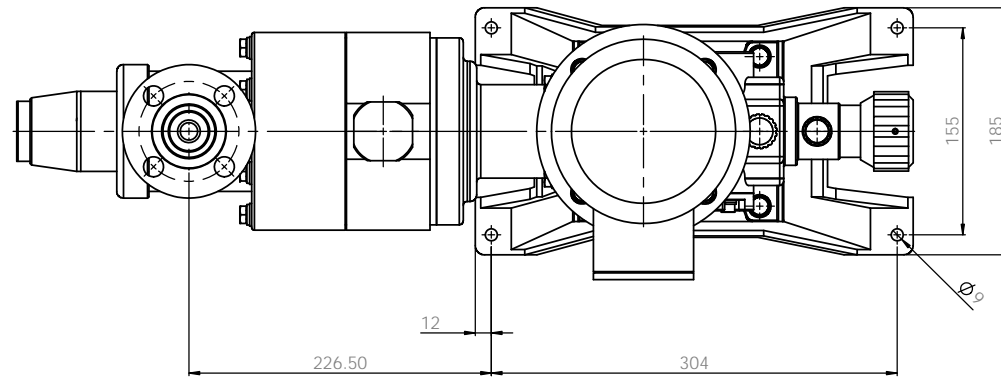
  

MATERIAL		PTFE	
DIMENSION		BD1004E1035B	
SCALE		SCALE 1:1	
SHEET		SHEET 1 OF 1	

E-WHA CHEMICAL FEEDER CO., LTD.

PUMP ASSEMBLY-DIM  
JSBV4000TCF-KS 10K 20A

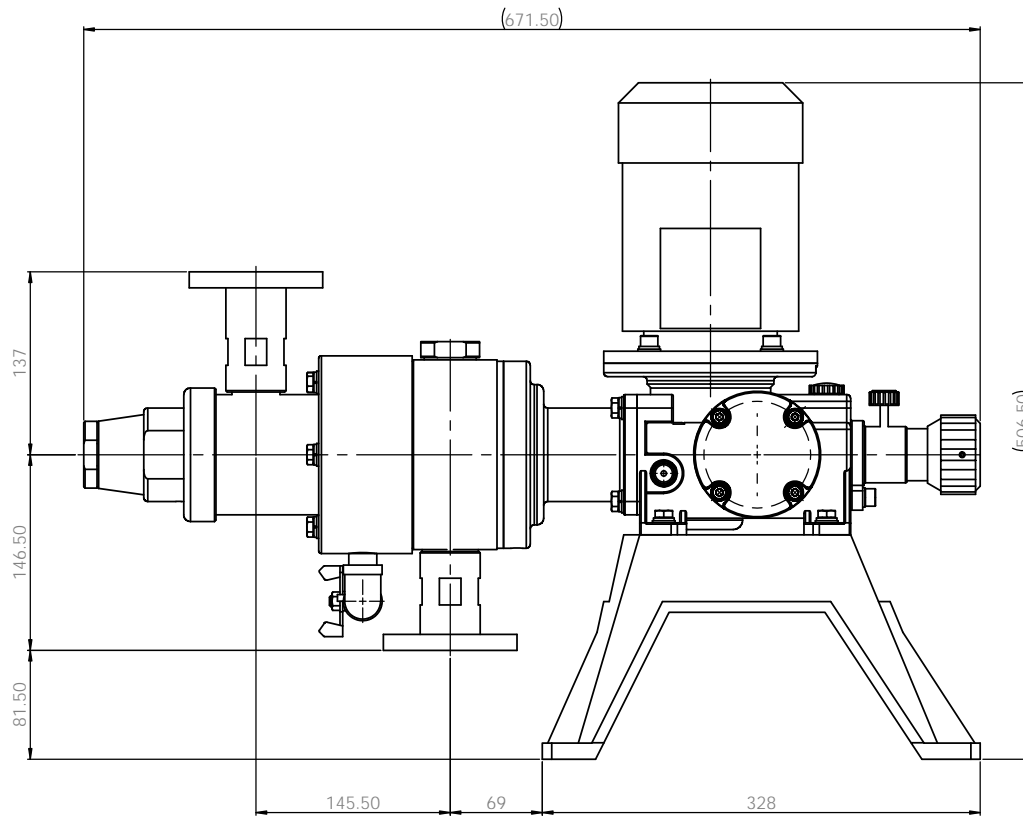
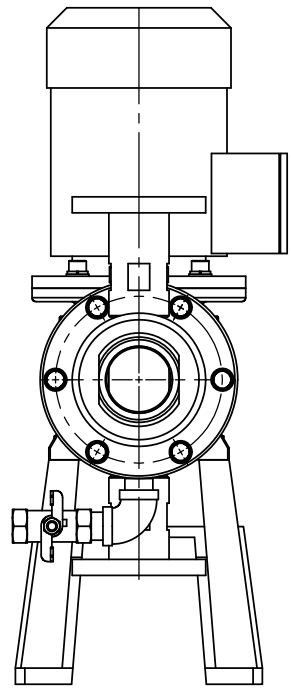
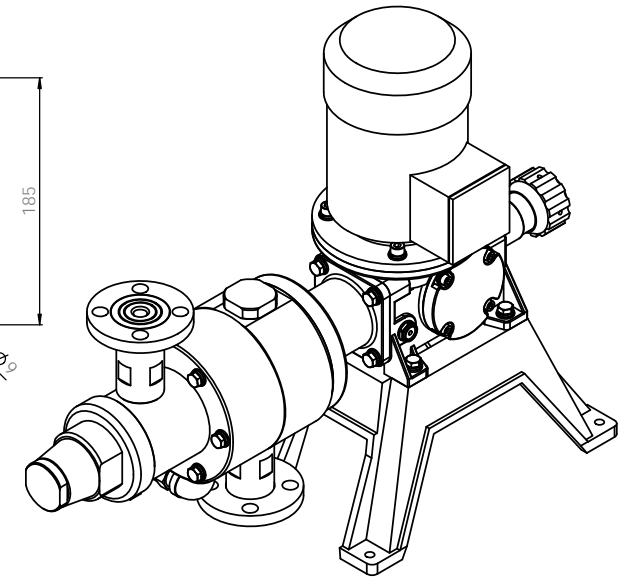
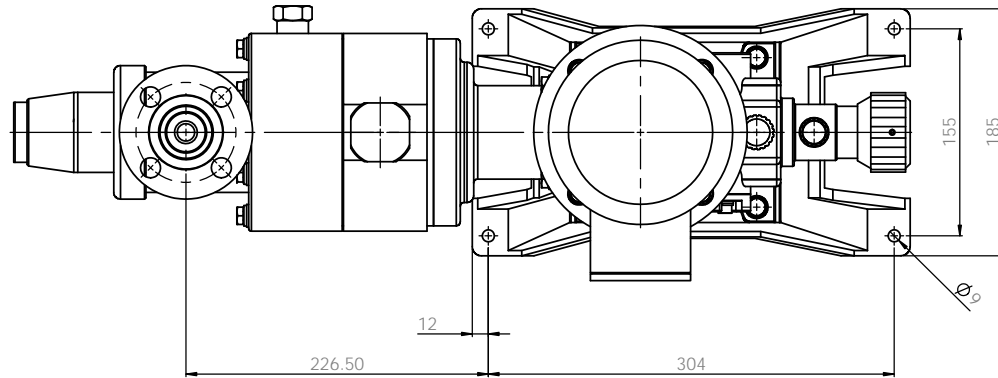
A1



**Note**

1. Model : JSBV4000
2. Material : Stainless steel
3. Connection : Flange
4. Drain valve : Not installed

PUMP ASSEMBLY-DIM		E-WHA CHEMICAL FEEDER CO., LTD.	
JSBV4000S4S4F-KS 10K 20A		PUMP ASSEMBLY-DIM	
SUS304		BD1000E1035B	
SCALE 1:1		SHEET 1 OF 1	



**Note**

1. Model : JSBV4000
2. Material : Stainless steel
3. Connection : Flange
4. Drain valve : Installed

REVISIONS		DATE		BY		CHECKED		APPROVED		MATERIAL		DRAWING NO.		SHEET NO.	
1	W. PAK	2020.02.21								SUS304	BD1000E1036B	A1			
2	W. PAK	2020.02.21													
3	S.C. KIM	2020.02.22													
4															
5															

DO NOT SCALE DRAWING

E-WHA CHEMICAL FEEDER CO., LTD.  
PUMP ASSEMBLY-DIM  
JSBV4000S4S4FD-KS 10K 20A

SCALE 1:1 SHEET 1 OF 1