

- Note**
1. Model : JSBV5000
 2. Material : PP / PVdF
 3. Connection : Flange
 4. Drain valve : Not installed

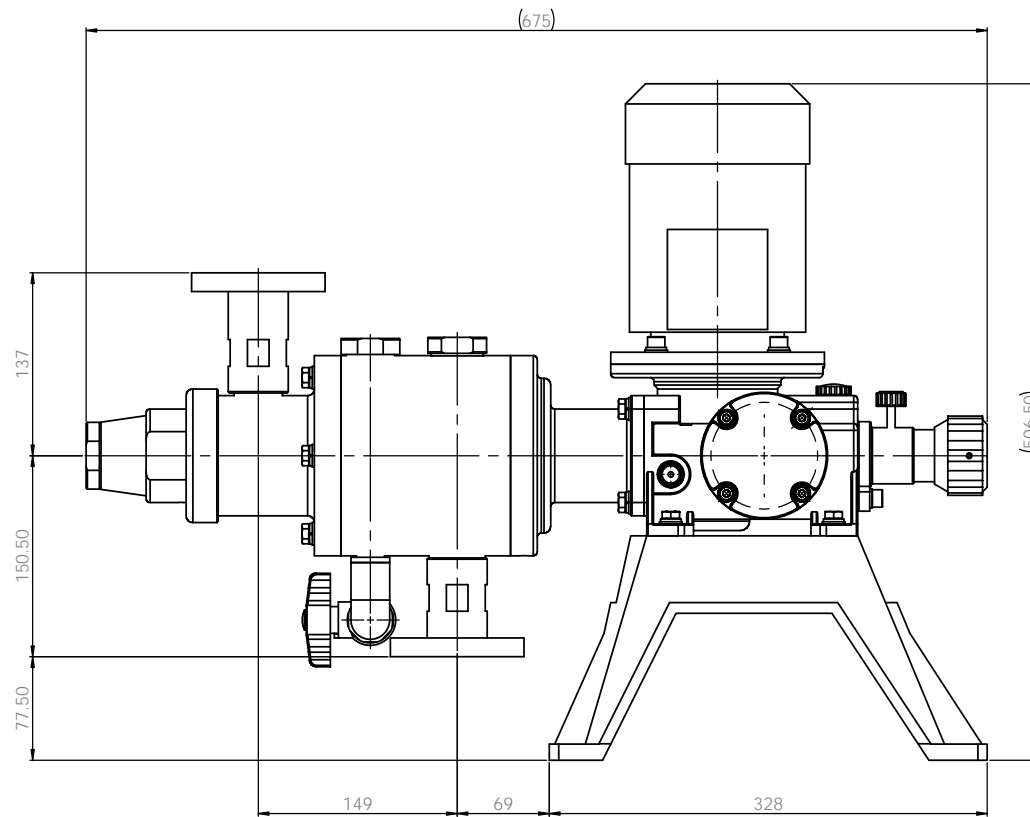
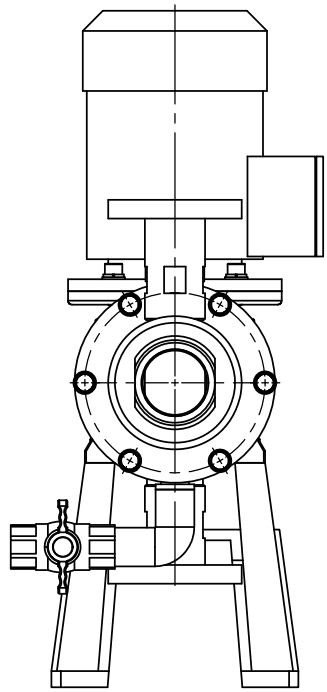
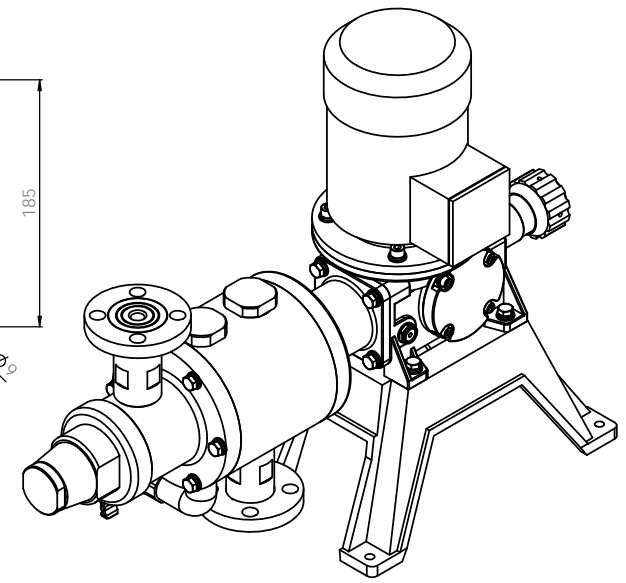
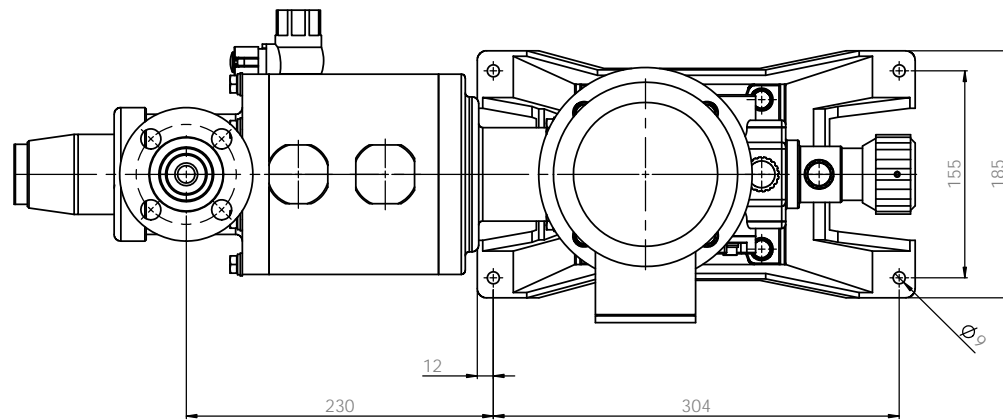
REVISIONS		DATE		BY		CHECKED		APPROVED		MATERIAL		DRAWING NO.		SHEET NO.	
1	W. PARK	2024.02.21								PP	BD1000E1039B	A1			
2	W. PARK	2024.02.21													
3	S.C. KIM	2024.02.22													
4															

DO NOT SCALE DRAWING

E-WHA CHEMICAL FEEDER CO., LTD.

PUMP ASSEMBLY-DIM
JSBV5000PCF-KS 10K 20A

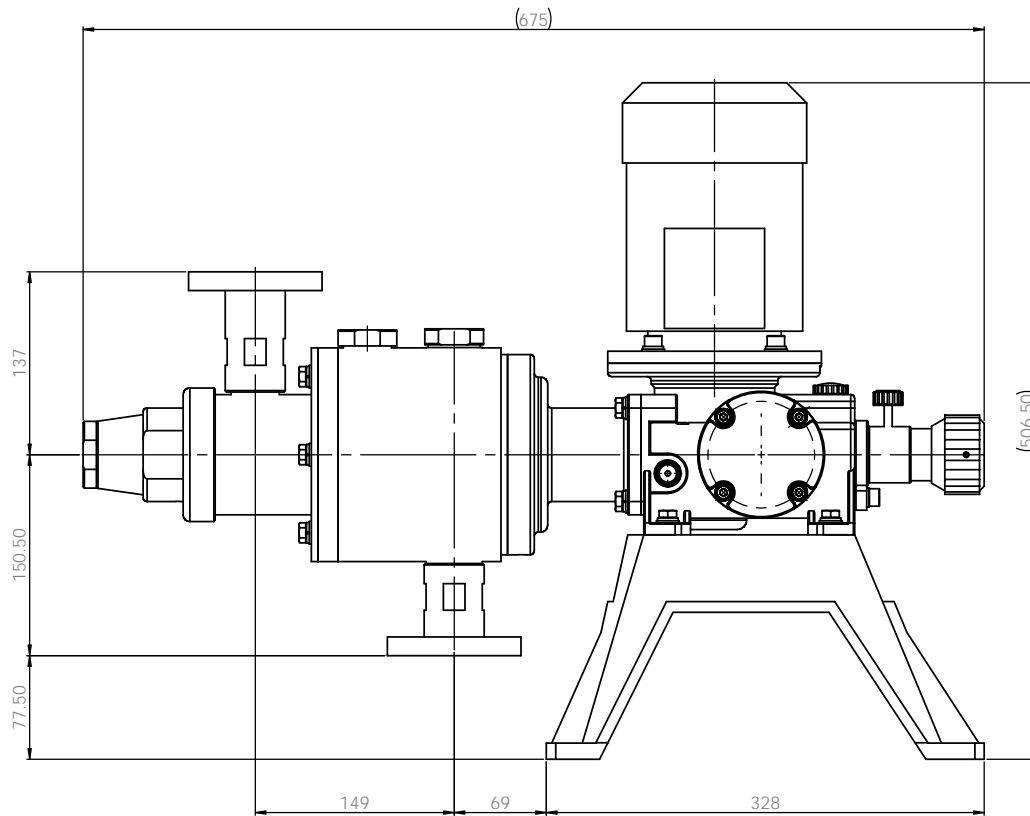
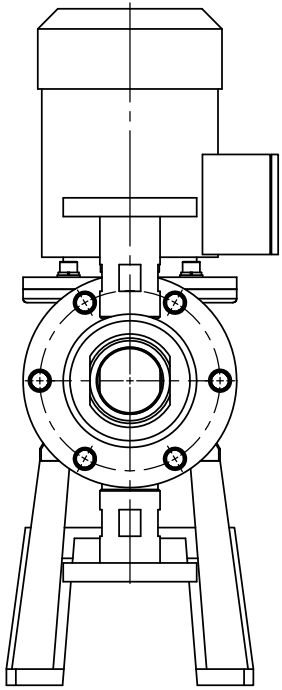
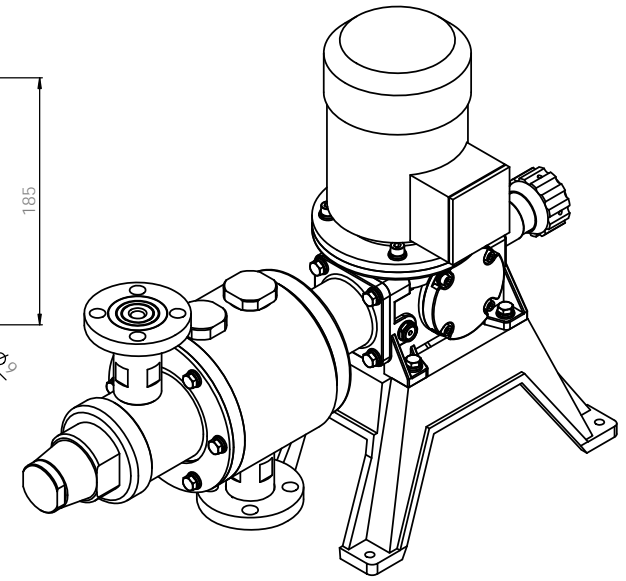
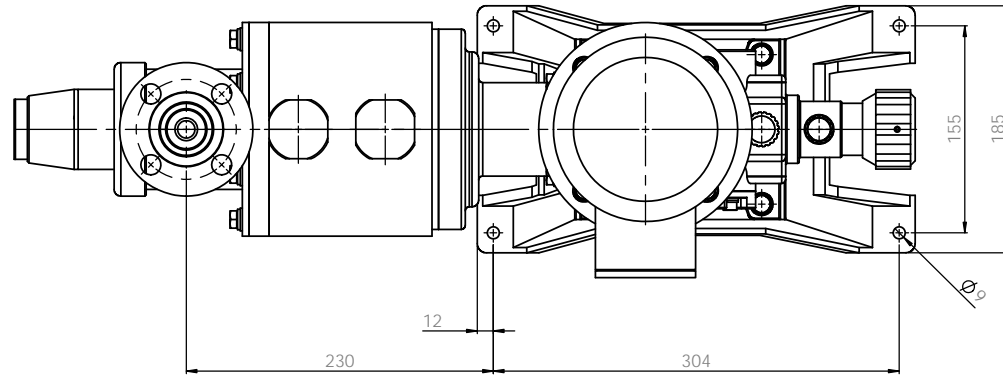
SCALE 1:1



Note
 1. Model : JSBV5000
 2. Material : PP
 3. Connection : Flange
 4. Drain valve : Installed

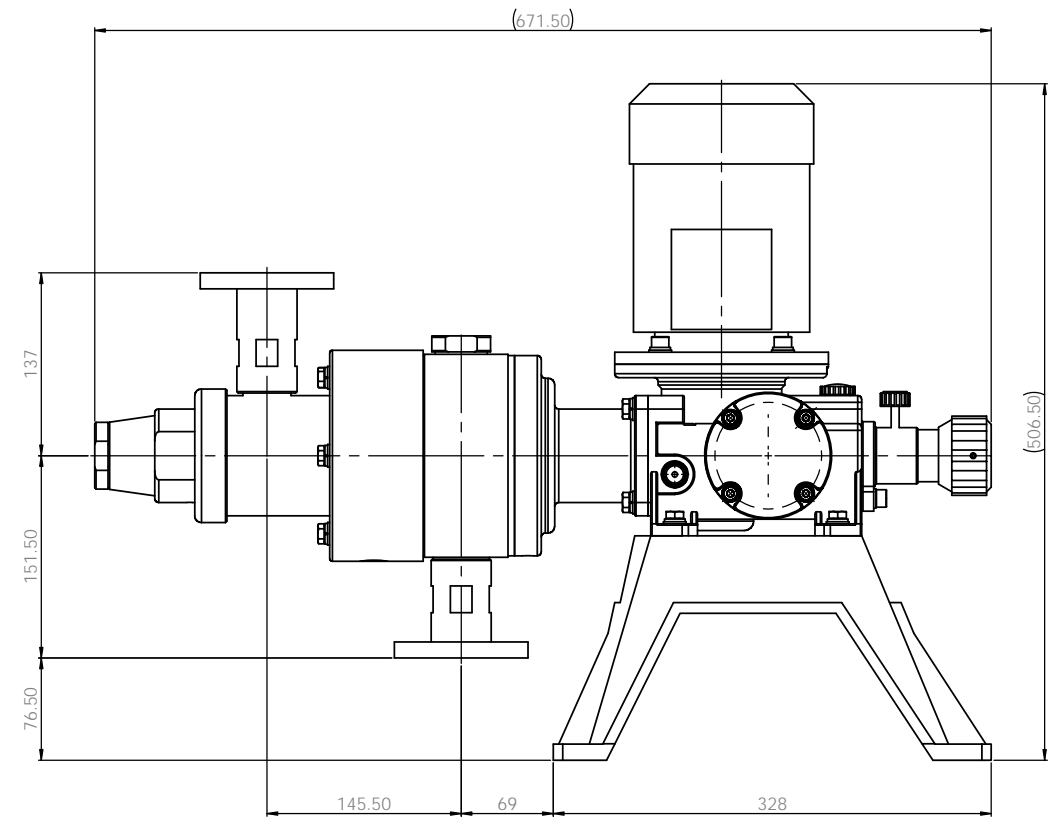
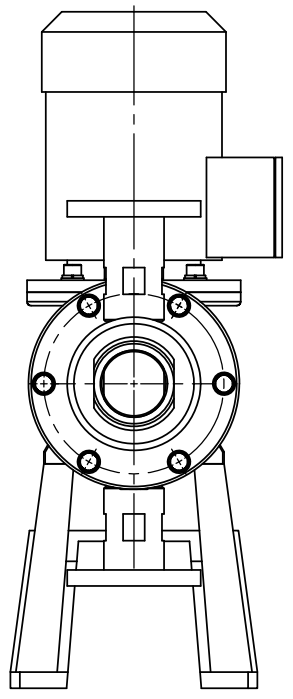
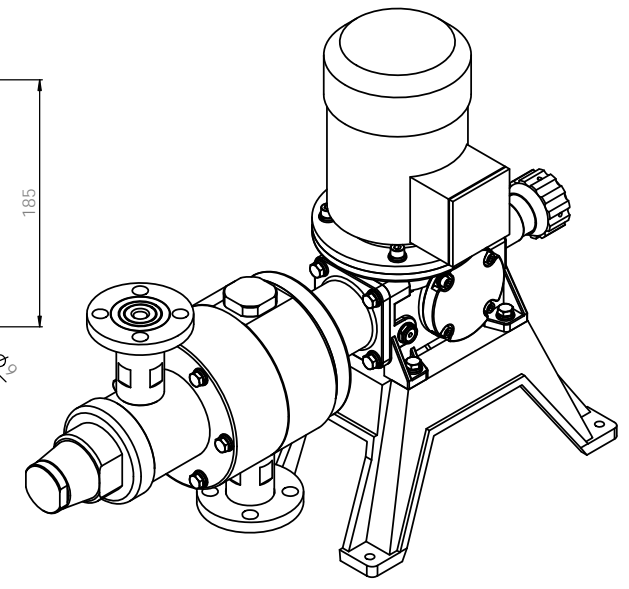
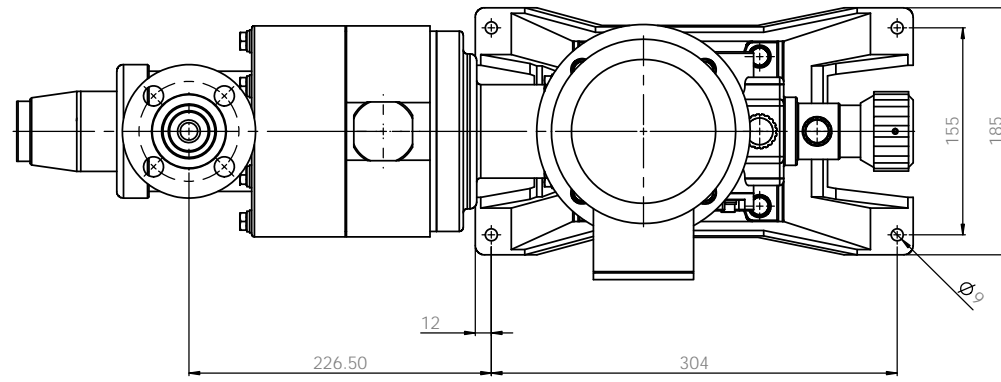
REVISIONS		DATE		REVISION	
NO.	DESCRIPTION	DATE	BY	NO.	DESCRIPTION
01	W. PAK	2024.02.21		01	W. PAK
02	W. PAK	2024.02.21		02	S.C. KAP
03	S.C. KAP	2024.02.22			
04					
05					
06					
07					
08					
09					
10					
11					
12					
13					
14					
15					
16					

MATERIAL		SCALE AND BRICK SHARP EDGE		DO NOT SCALE DRAWING		REVISION	
PP						E-WHA CHEMICAL FEEDER CO., LTD.	
PUMP ASSEMBLY-DIM				JOB NO.			
JSBV5000PCFD-KS 10K 20A				DRAWING NO.			
BD1000E1040B				SHEET 1 OF 1			



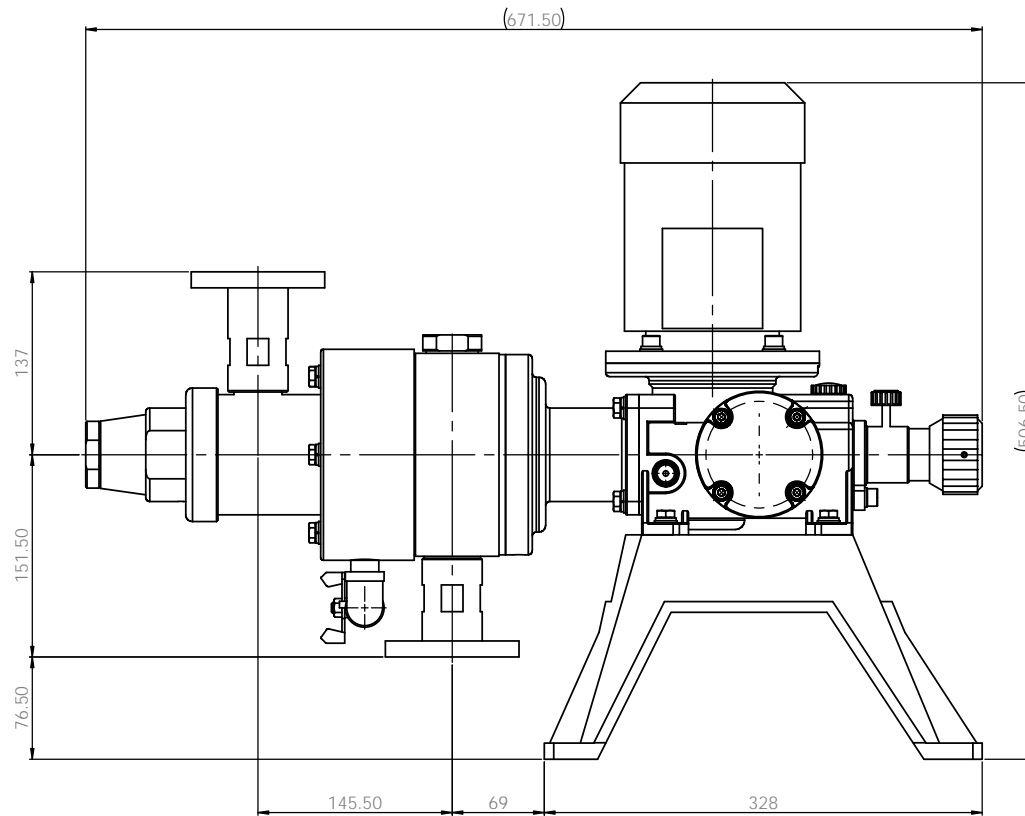
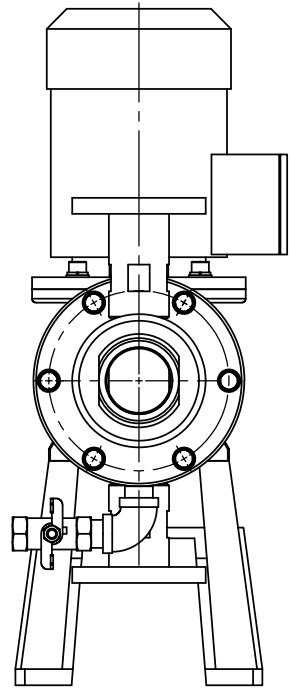
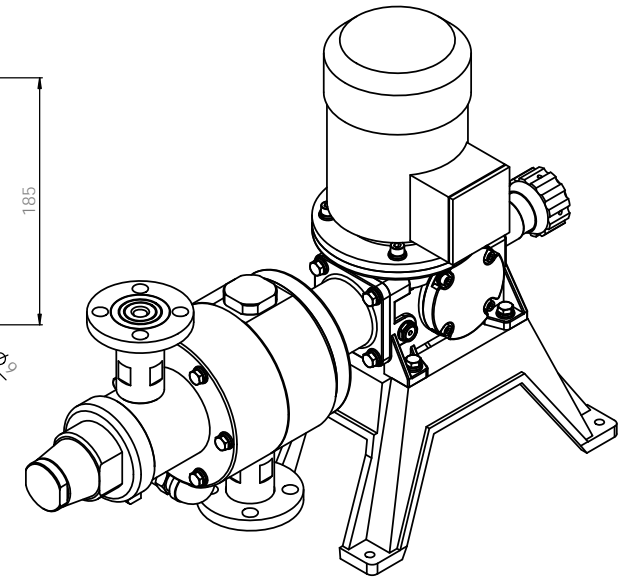
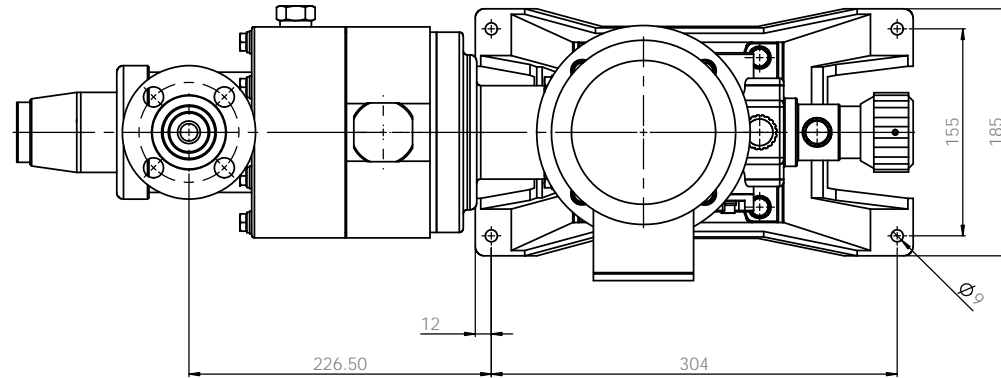
Note
 1. Model : JSBV5000
 2. Material : PTFE
 3. Connection : Flange
 4. Drain valve : N / A

PUMP ASSEMBLY-DIM		E-WHA CHEMICAL FEEDER CO., LTD.	
JSBV5000TCF-KS 10K 20A		PTFE	
BD1004E1039B		A1	
SCALE 1:1		SHEET 1 OF 1	



Note
 1. Model : JSBV5000
 2. Material : Stainless steel
 3. Connection : Flange
 4. Drain valve : Not installed

PUMP ASSEMBLY-DIM		E-WHA CHEMICAL FEEDER CO., LTD.	
JSBV5000S4S4F-KS 10K 20A		REVISION	
SUS304		DO NOT SCALE DRAWING	
BD1301E1039B		SCALE 1:1	
A1		SHEET 1 OF 1	



Note

1. Model : JSBV5000
2. Material : Stainless steel
3. Connection : Flange
4. Drain valve : Installed

PUMP ASSEMBLY-DIM				E-WHA CHEMICAL FEEDER CO., LTD.	
DATE	2020.02.21	SCALE	1:1	REVISION	
DESIGNER	S.C. KIM	DATE	2020.02.21	REVISION	
CHECKER	S.C. KIM	DATE	2020.02.21	REVISION	
APPROVED	S.C. KIM	DATE	2020.02.21	REVISION	
DATE		SCALE		REVISION	
MATERIAL			SUS304	PART NO.	
DRAWING NO.			BD1301E1040B	SHEET 1 OF 1	