

- Note**
1. Model : JSBV6000
 2. Material : PP / PVdF
 3. Connection : Flange
 4. Drain valve : Not installed

REVISIONS			DATE		BY		CHECKED		APPROVED		MATERIAL		DRAWING NO.		SHEET NO.	
01	W. PARK	2020.02.21										PP	BD1000E1043B	A1		
02	W. PARK	2020.02.21														
03	S.C. KIM	2020.02.22														
04																

DO NOT SCALE DRAWING

REVISION

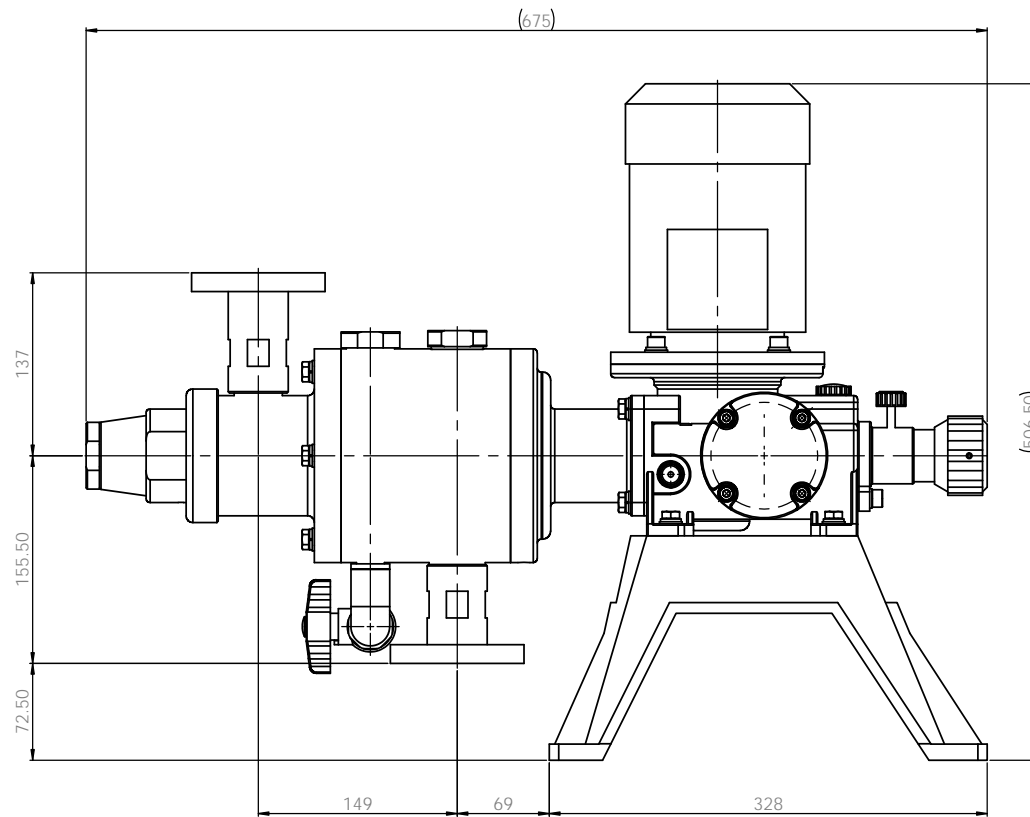
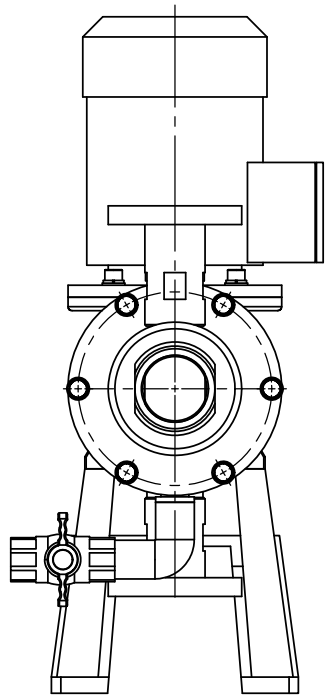
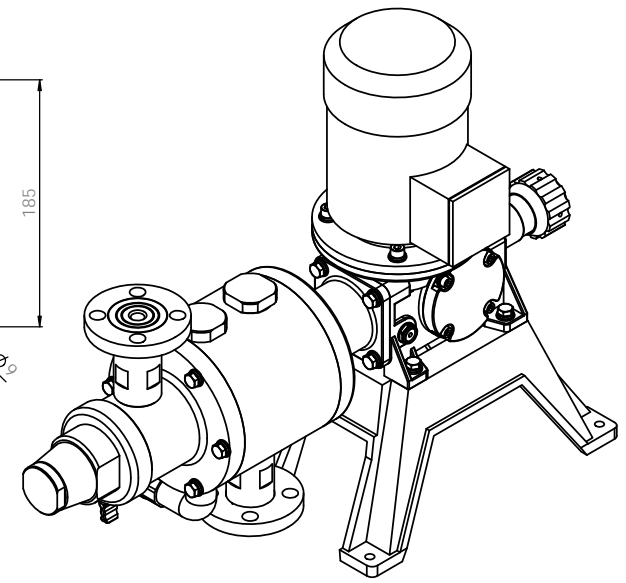
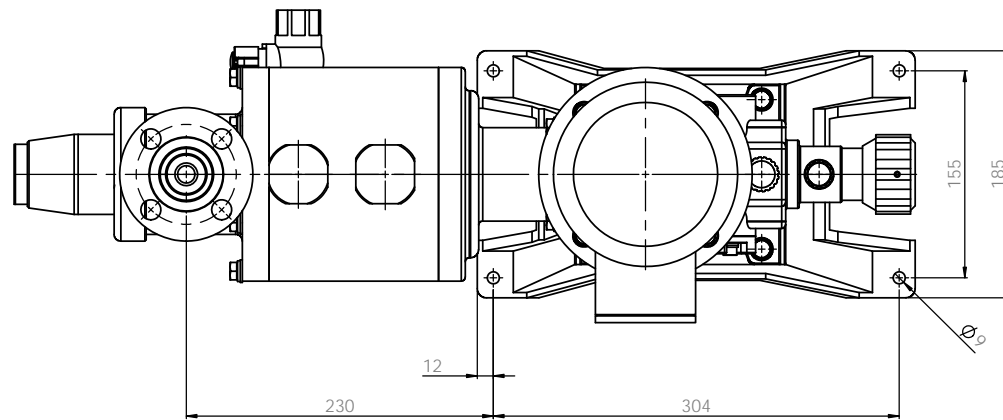
E-WHA CHEMICAL FEEDER CO., LTD.

PUMP ASSEMBLY-DIM

JSBV6000PCF-KS 10K 20A

SCALE 1:1

SHEET 1 OF 1



Note

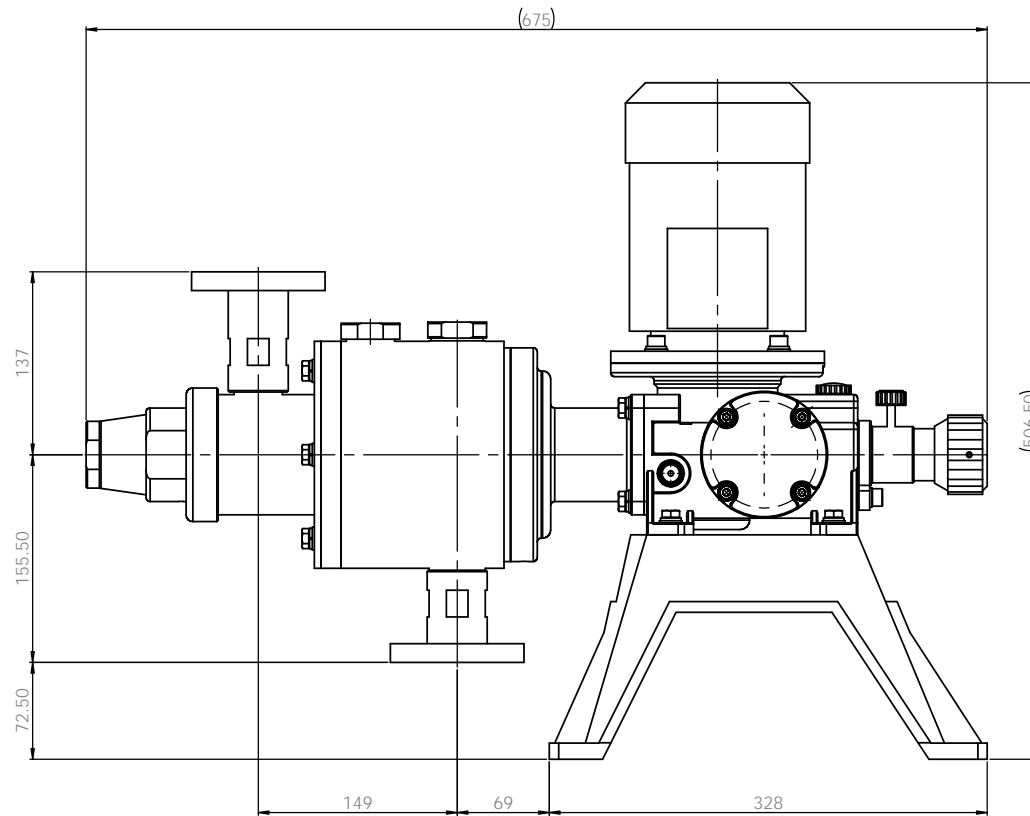
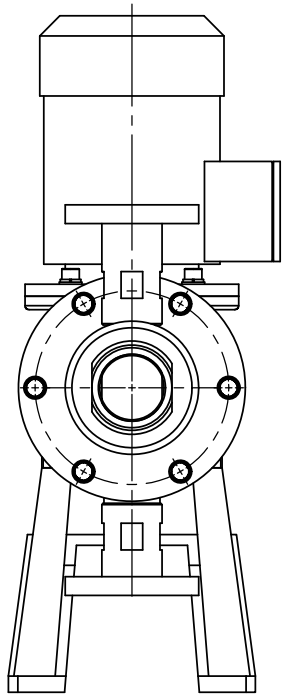
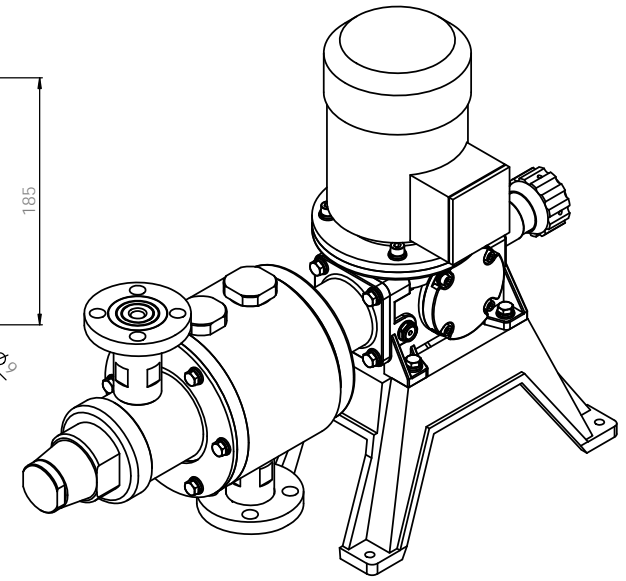
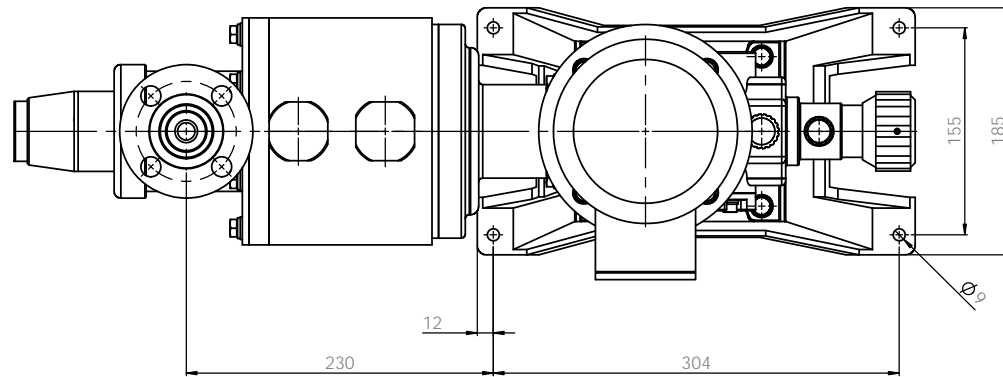
1. Model : JSBV6000
2. Material : PP
3. Connection : Flange
4. Drain valve : Installed

REVISIONS		DATE		BY		CHECKED		APPROVED		MATERIAL		SCALE		SHEET	
1	W. PARK	2024.02.21								PP	1:1	1	1		
2	W. PARK	2024.02.21													
3	S.C. KIM	2024.02.22													
4															

E-WHA CHEMICAL FEEDER CO., LTD.

PUMP ASSEMBLY-DIM
JSBV6000PCFD-KS 10K 20A

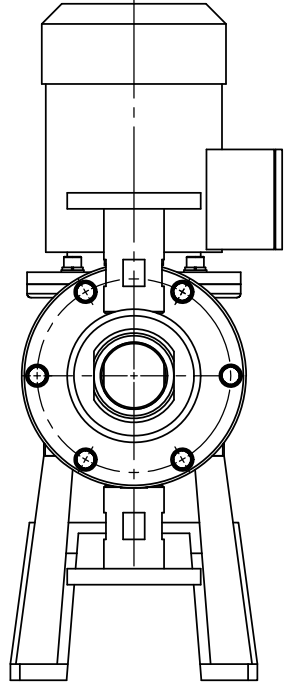
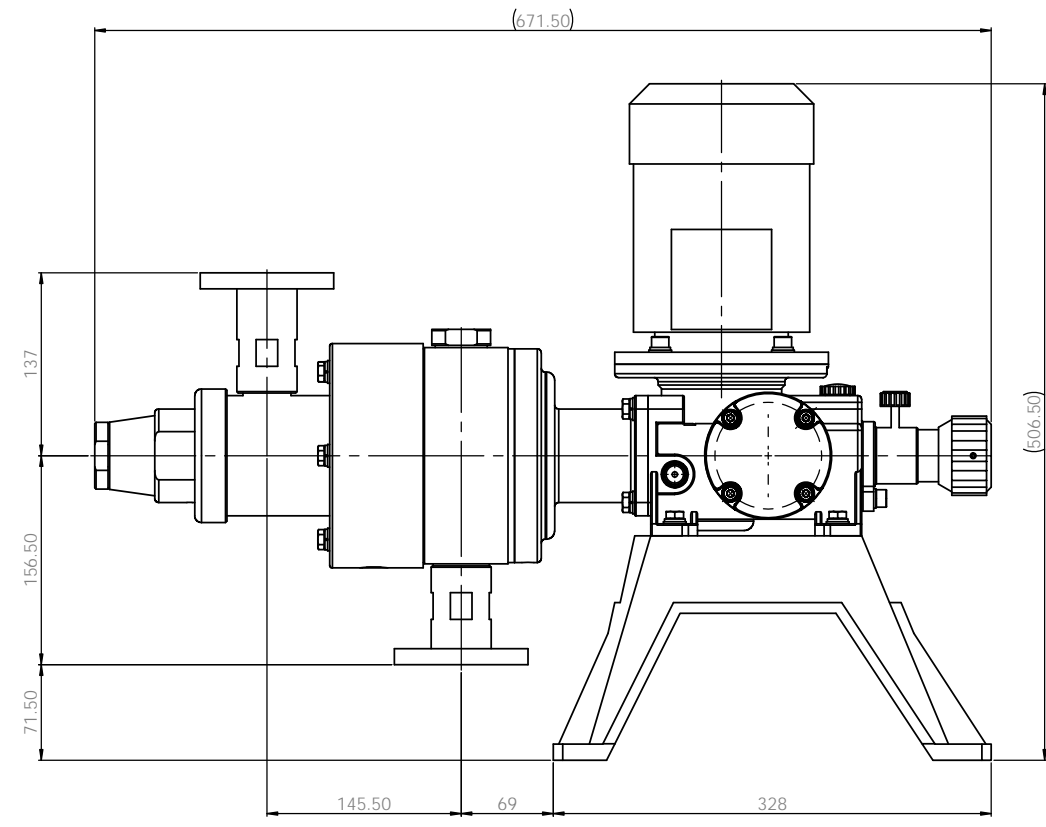
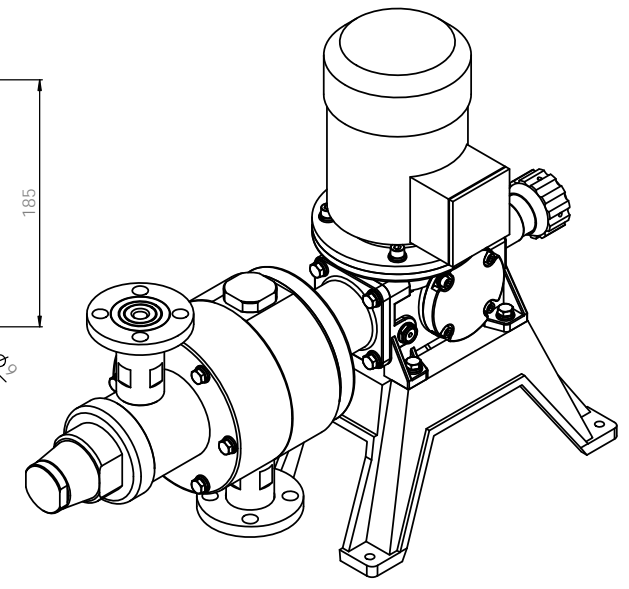
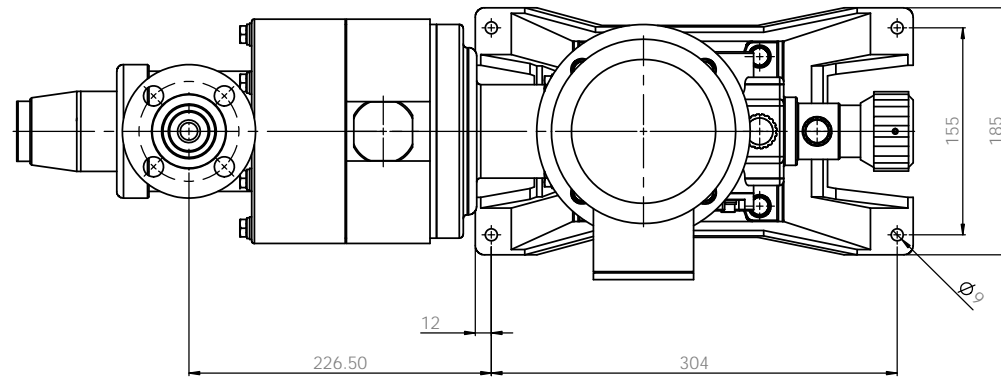
BD1000E1044B A1



Note

1. Model : JSBV6000
2. Material : PTFE
3. Connection : Flange
4. Drain valve : N / A

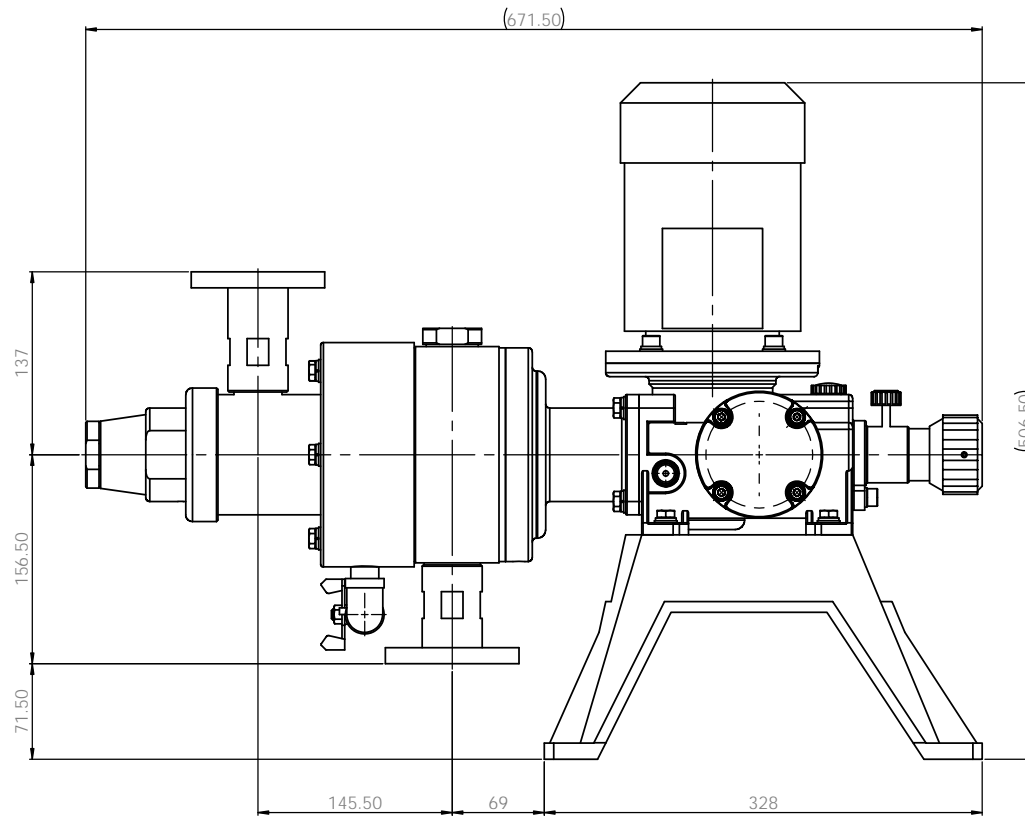
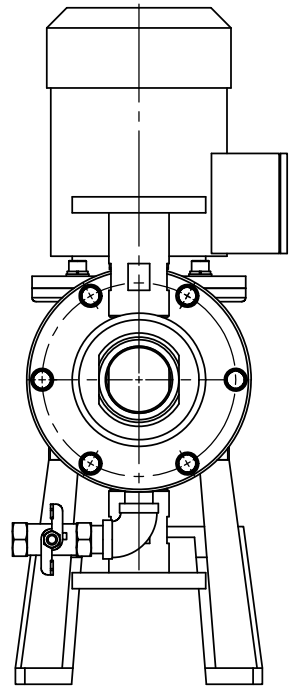
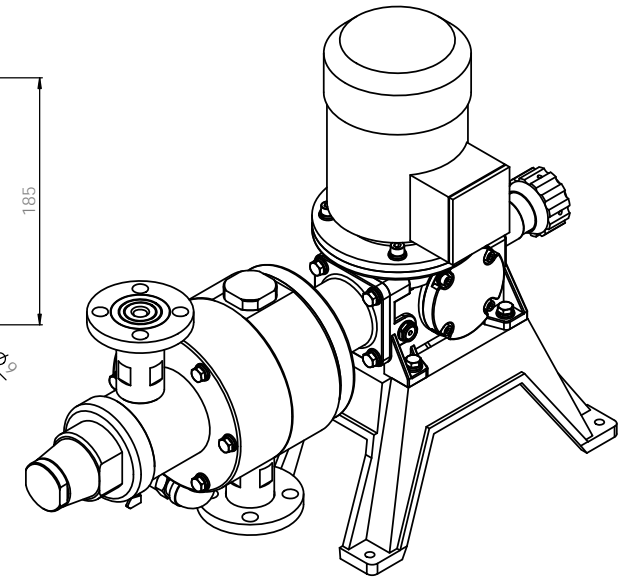
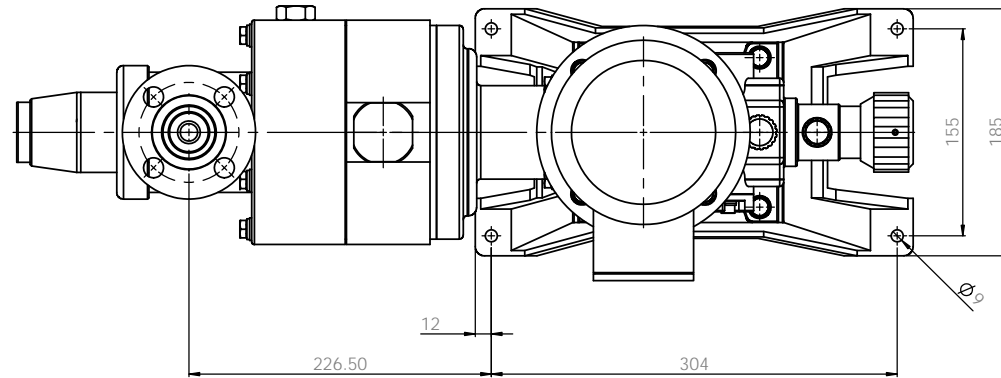
REVISIONS				DATE		BY		CHECKED		APPROVED		MATERIAL		SCALE		SHEET	
01	W. PAK	2020.02.21															
02	W. PAK	2020.02.21															
03	S.C. KIM	2020.02.22															
E-WHA CHEMICAL FEEDER CO., LTD.												PTFE		BD1004E1043B		A1	



Note

1. Model : JSBV6000
2. Material : Stainless steel
3. Connection : Flange
4. Drain valve : Not installed

PUMP ASSEMBLY-DIM		E-WHA CHEMICAL FEEDER CO., LTD.	
JSBV6000S4S4F-KS 10K 20A		REVISION	
SUS304		DO NOT SCALE DRAWING	
BD1301E1043B		REVISION	
A1		REVISION	
SCALE 1:1		SHEET 1 OF 1	



Note

1. Model : JSBV6000
2. Material : Stainless steel
3. Connection : Flange
4. Drain valve : Installed

PUMP ASSEMBLY-DIM				E-WHA CHEMICAL FEEDER CO., LTD.	
DATE	SCALE	REVISION	DATE	SCALE	REVISION
2020.02.21					
2020.02.21					
2020.02.21					
MATERIAL: SUS304			DRAWING NO: BD1301E1044B		
SCALE: 1:1			SHEET 1 OF 1		