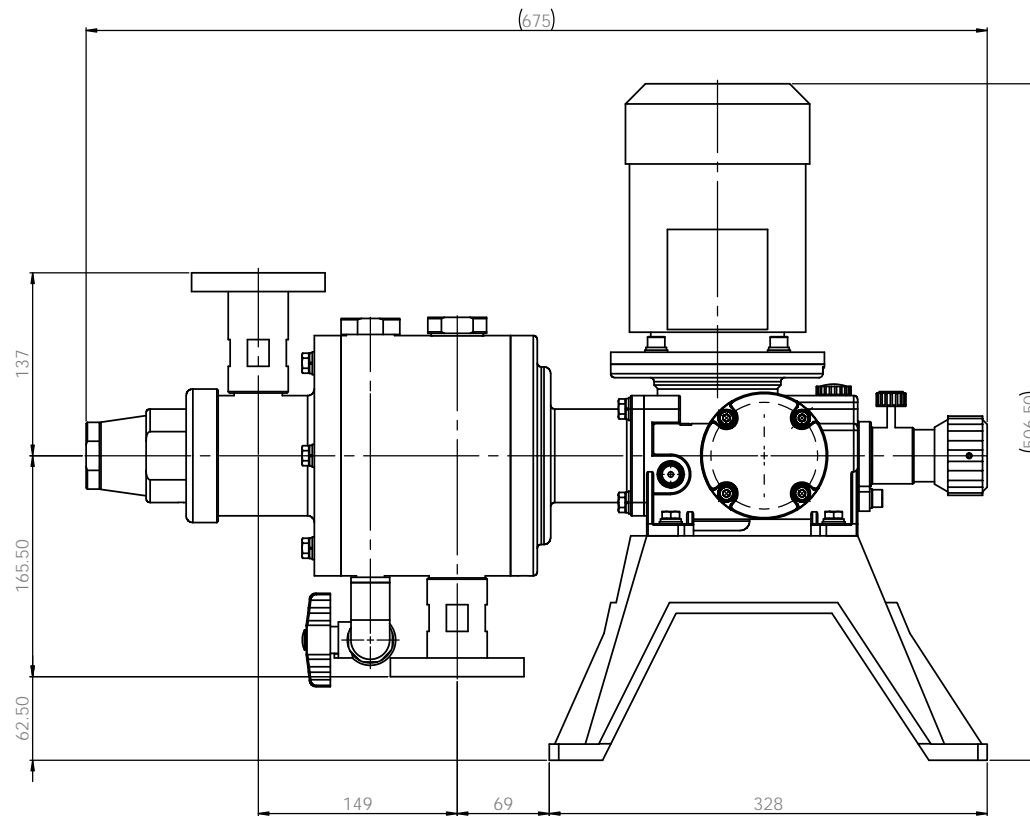
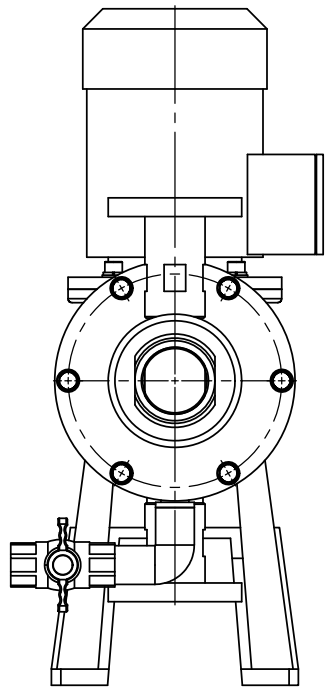
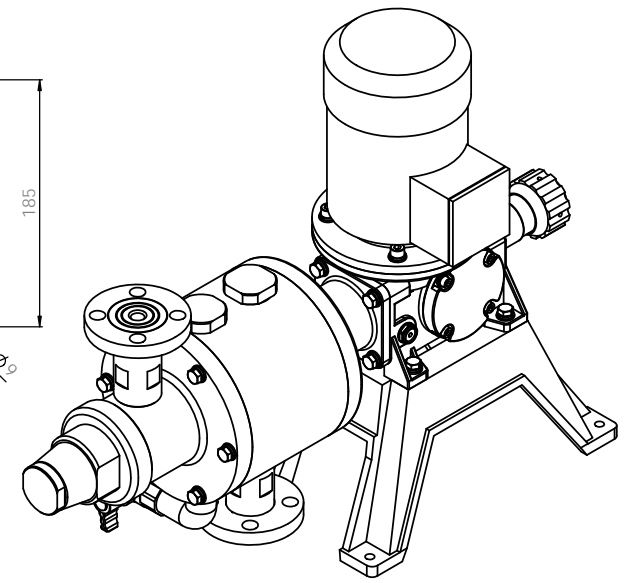
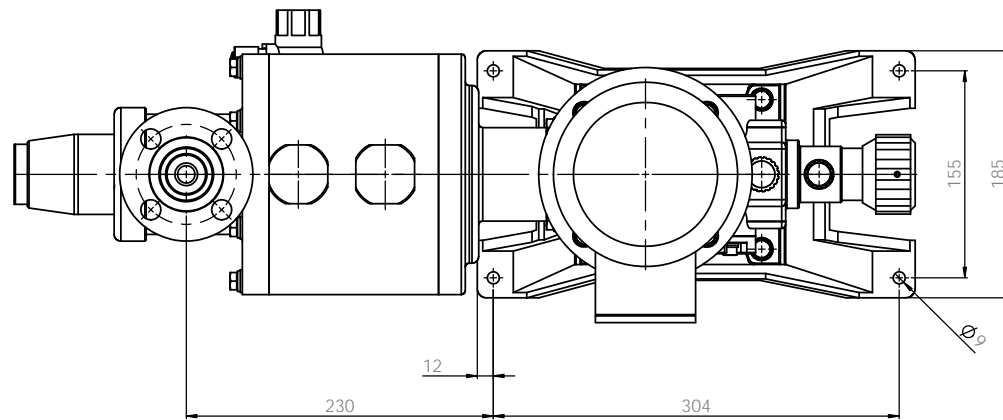


- Note**
1. Model : JSBV8000
 2. Material : PP / PVdF
 3. Connection : Flange
 4. Drain valve : Not installed

REVISIONS			REVISION	
NO.	DATE	DESCRIPTION	BY	CHKD
1	2020.02.21	INITIAL DESIGN		
2	2020.02.21	REVISED		
3	2020.02.21	REVISED		
4	2020.02.21	REVISED		
5	2020.02.21	REVISED		
6	2020.02.21	REVISED		
7	2020.02.21	REVISED		
8	2020.02.21	REVISED		
9	2020.02.21	REVISED		
10	2020.02.21	REVISED		
11	2020.02.21	REVISED		
12	2020.02.21	REVISED		
13	2020.02.21	REVISED		
14	2020.02.21	REVISED		
15	2020.02.21	REVISED		
16	2020.02.21	REVISED		

MATERIAL		E-WHA CHEMICAL FEEDER CO., LTD.	
PP	BD1000E1047B	PUMP ASSEMBLY-DIM JSBV8000PCF-KS 10K 20A	
SCALE 1:1		SHEET 1 OF 1	



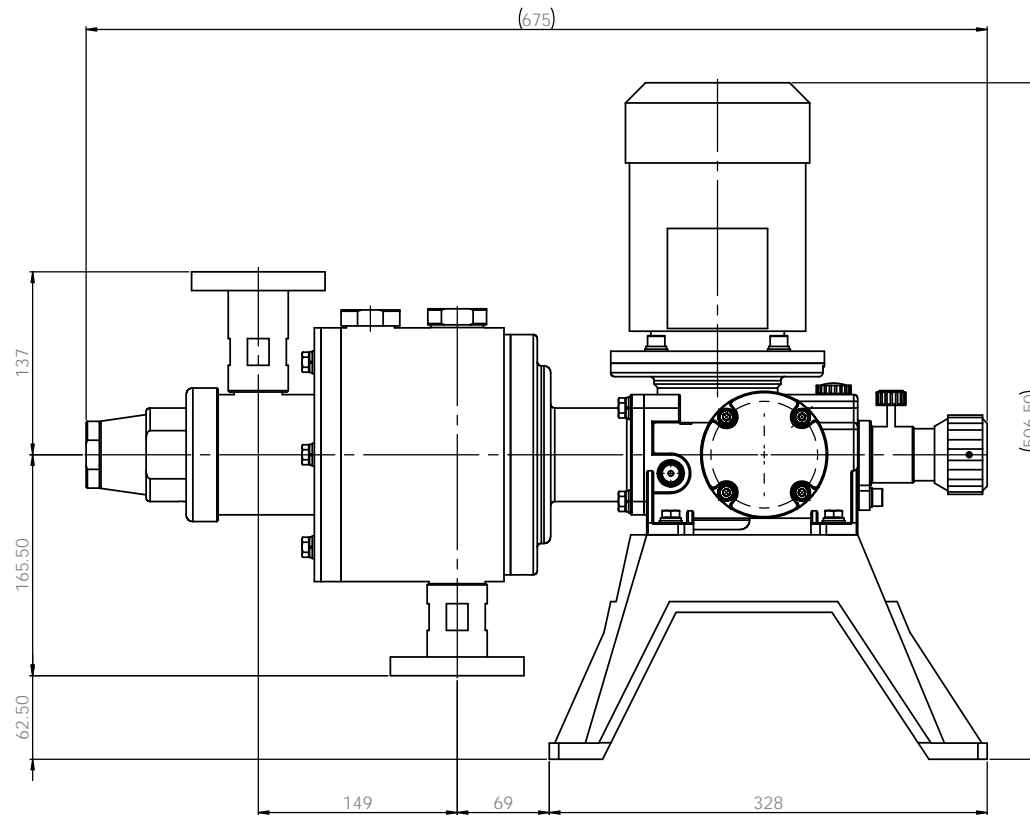
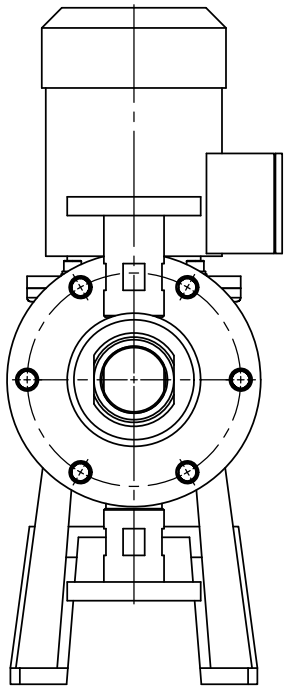
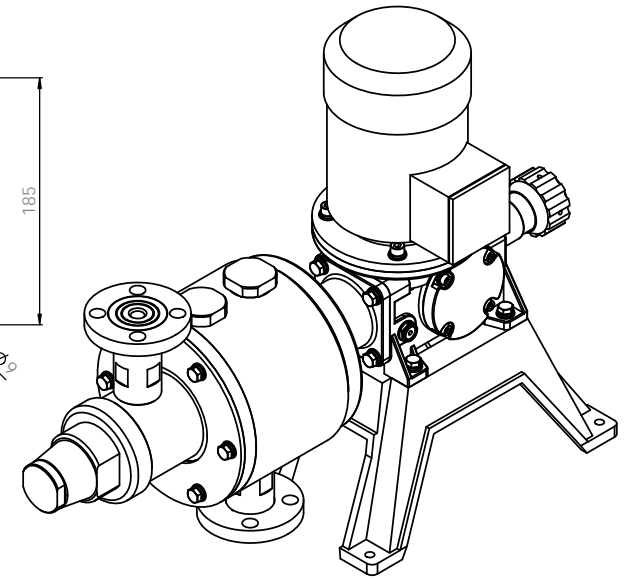
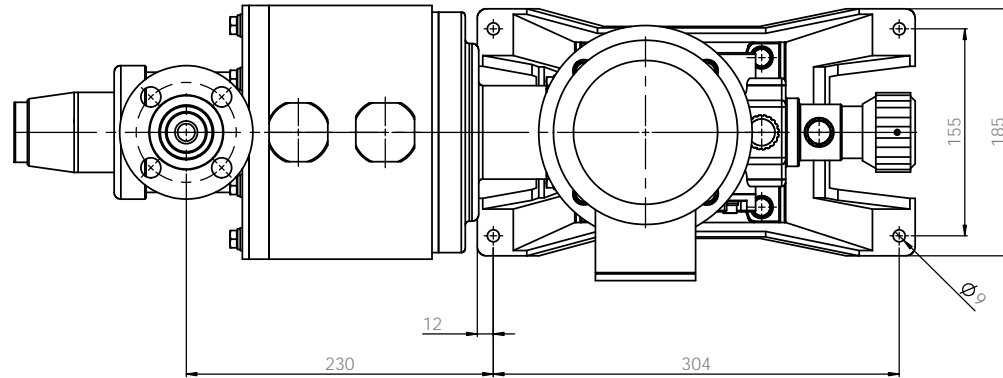
Note
 1. Model : JSBV8000
 2. Material : PP
 3. Connection : Flange
 4. Drain valve : Installed

REVISIONS				DATE		BY		CHECKED		APPROVED		MATERIAL		DRAWING NO.		SHEET NO.	
1	W. PARK	2024.02.21										PP	BD1000E1048B	A1			
2	W. PARK	2024.02.21															
3	S.C. KIM	2024.02.22															

E-WHA CHEMICAL FEEDER CO., LTD.

PUMP ASSEMBLY-DIM
 JSBV8000PCFD-KS 10K 20A

SCALE 1:1 SHEET 1 OF 1



Note

1. Model : JSBV8000
2. Material : PTFE
3. Connection : Flange
4. Drain valve : N / A

REVISIONS		DATE		BY		CHECKED		APPROVED		MATERIAL		SCALE		SHEET	
01	W. PARK	2024.02.21								PTFE	BD1004E1047B	A1	1/1	1	1
02	W. PARK	2024.02.21													
03	S.C. KIM	2024.02.22													
04															

DO NOT SCALE DRAWING

REVISION

E-WHA CHEMICAL FEEDER CO., LTD.

FIG. NO.

PUMP ASSEMBLY-DIM

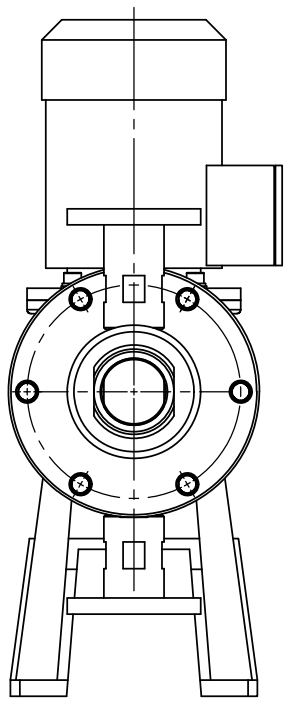
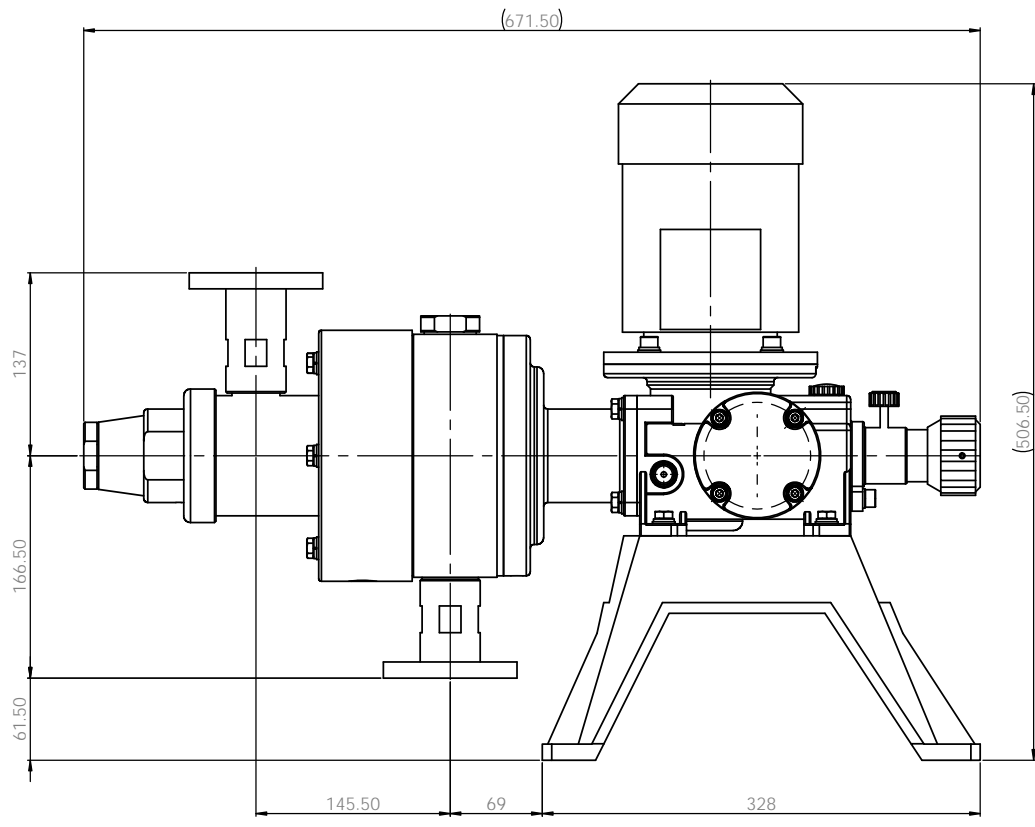
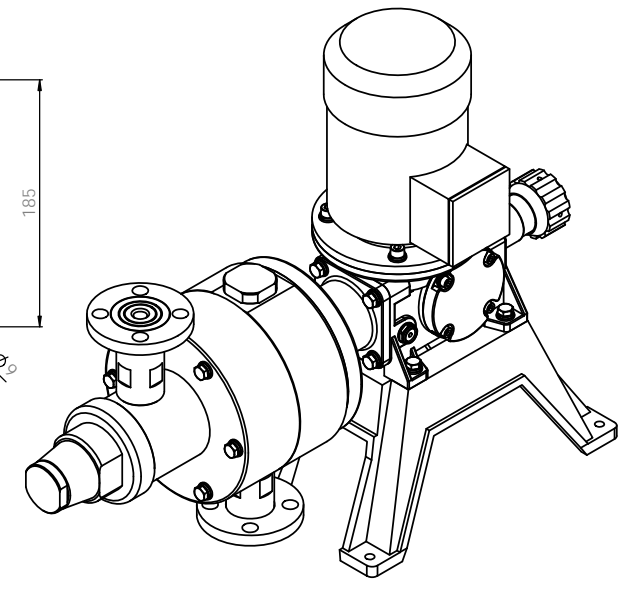
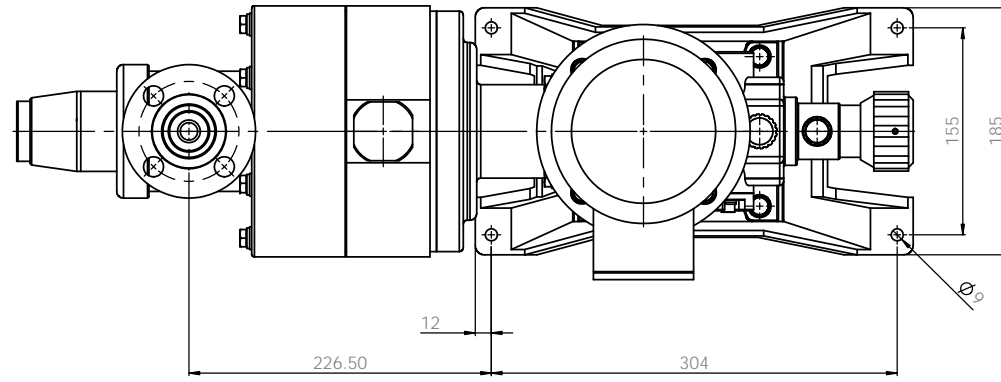
JSBV8000TCF-KS 10K 20A

FIG. NO.

BD1004E1047B

SCALE 1:1

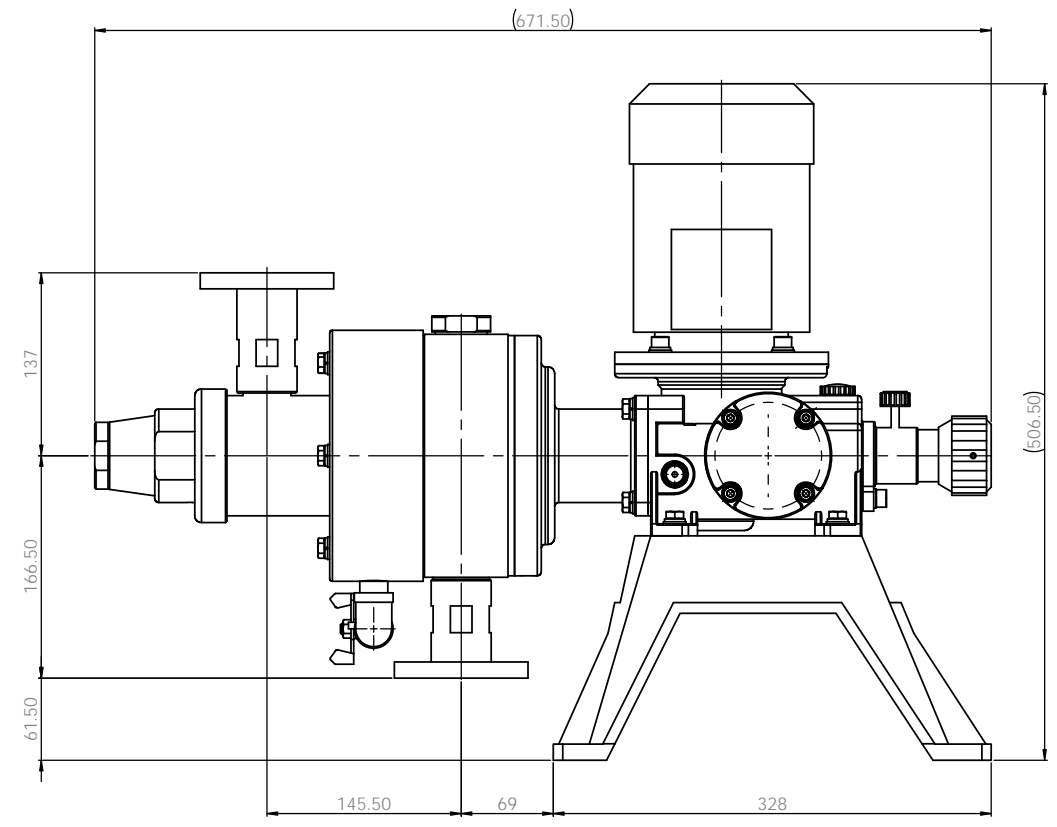
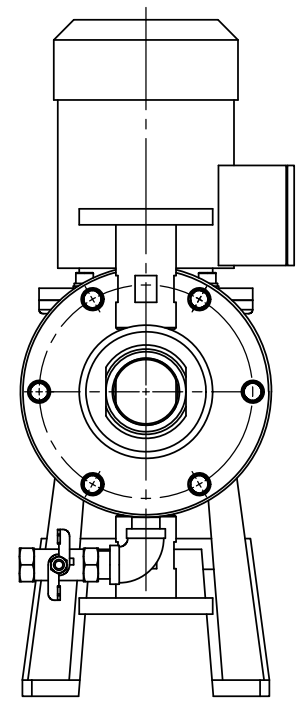
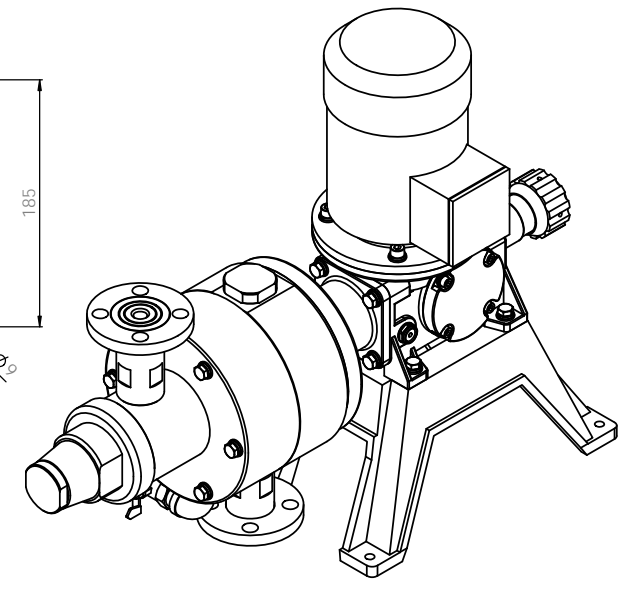
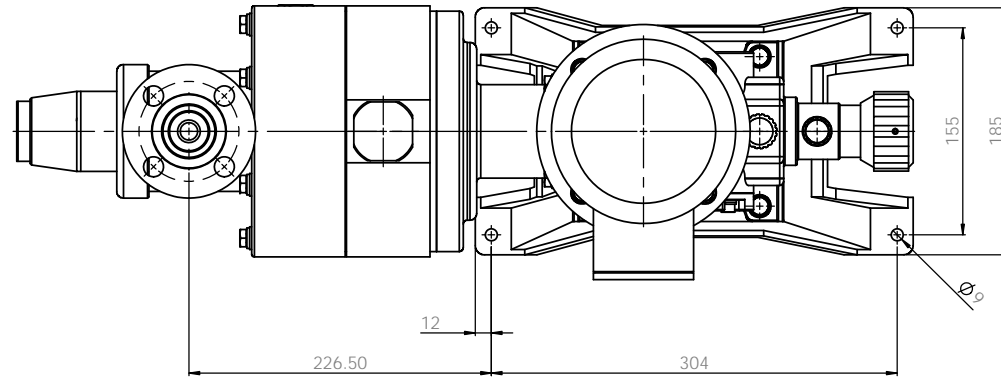
SHEET 1 OF 1



Note

1. Model : JSBV8000
2. Material : Stainless steel
3. Connection : Flange
4. Drain valve : Not installed

PUMP ASSEMBLY-DIM		E-WHA CHEMICAL FEEDER CO., LTD.	
JSBV8000S4S4F-KS 10K 20A		REVISION	
SUS304		DO NOT SCALE DRAWING	
BD1301E1047B		REVISION	
A1		REVISION	
SCALE 1:1		SHEET 1 OF 1	



Note

1. Model : JSBV8000
2. Material : Stainless steel
3. Connection : Flange
4. Drain valve : Installed

REVISIONS		DATE		BY		CHECKED		APPROVED		MATERIAL		DRAWING NO.		SHEET NO.	
1	W. PARK	2020.02.21									SUS304	BD1301E1048B	A1		
2	W. PARK	2020.02.21													
3	S.C. KIM	2020.02.22													
4															
5															

DO NOT SCALE DRAWING

E-WHA CHEMICAL FEEDER CO., LTD.
PUMP ASSEMBLY-DIM
JSBV8000S4S4FD-KS 10K 20A

SCALE 1:1 SHEET 1 OF 1