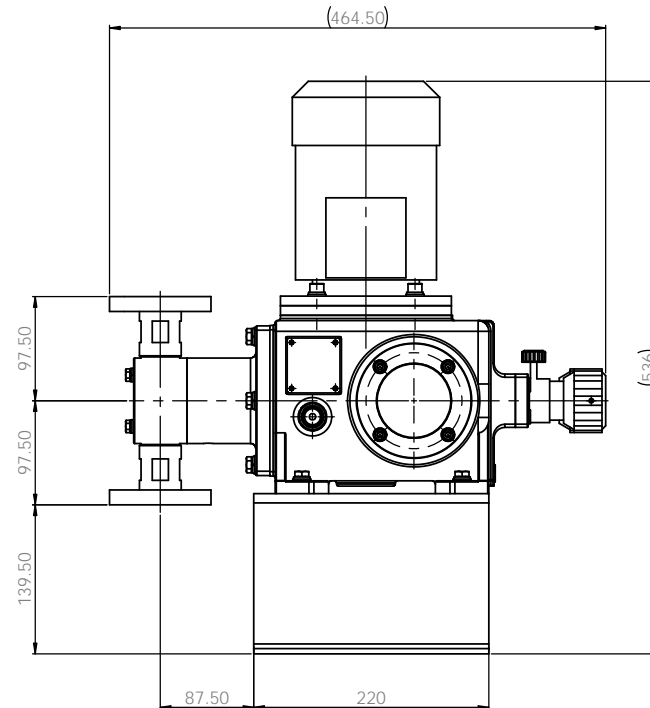
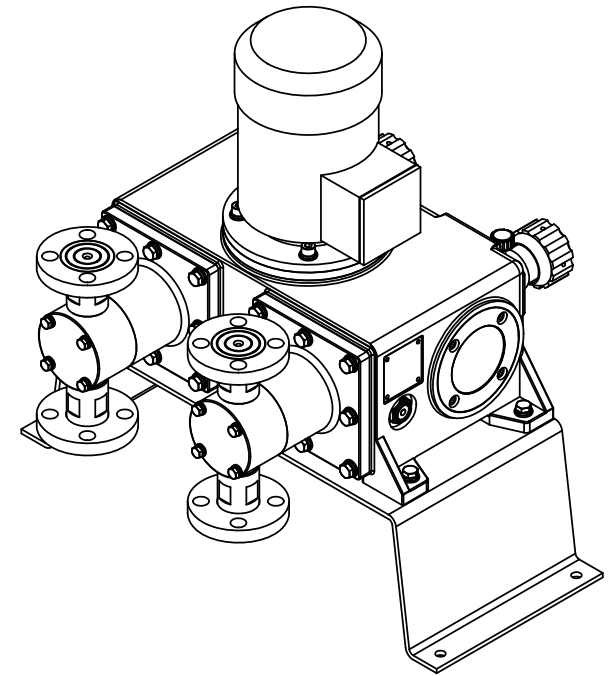
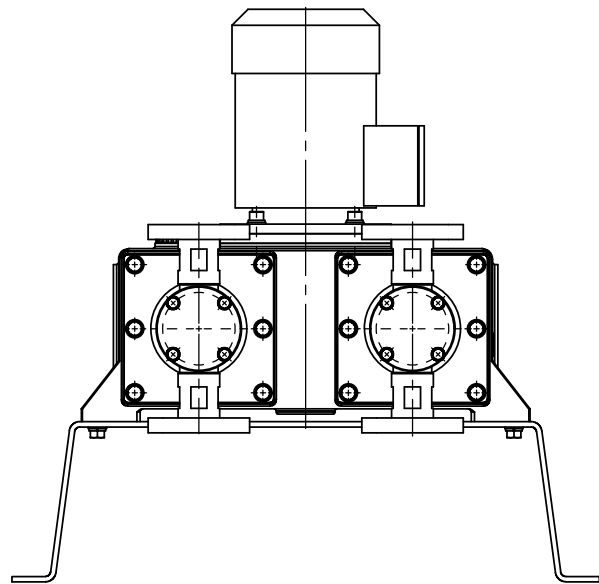
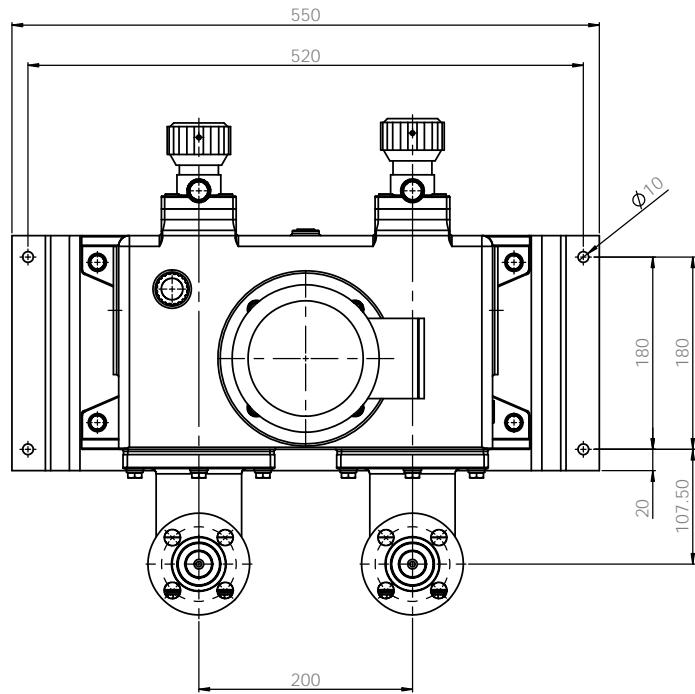


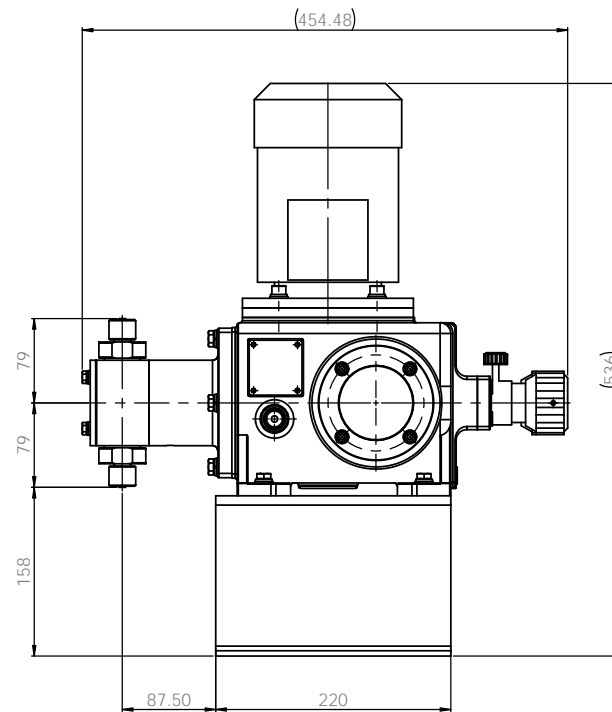
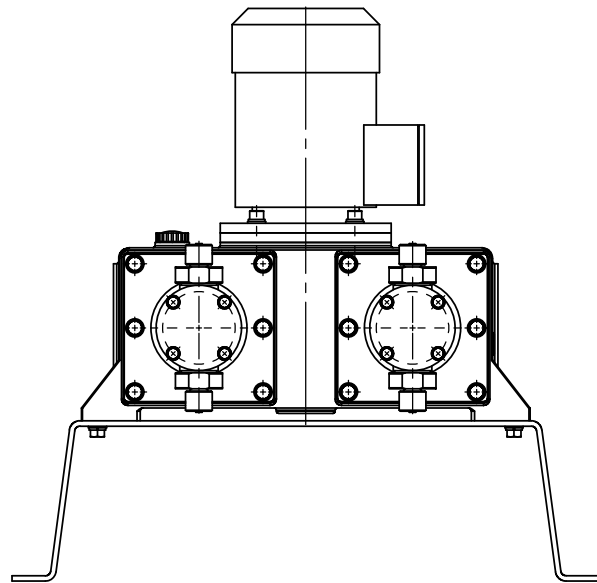
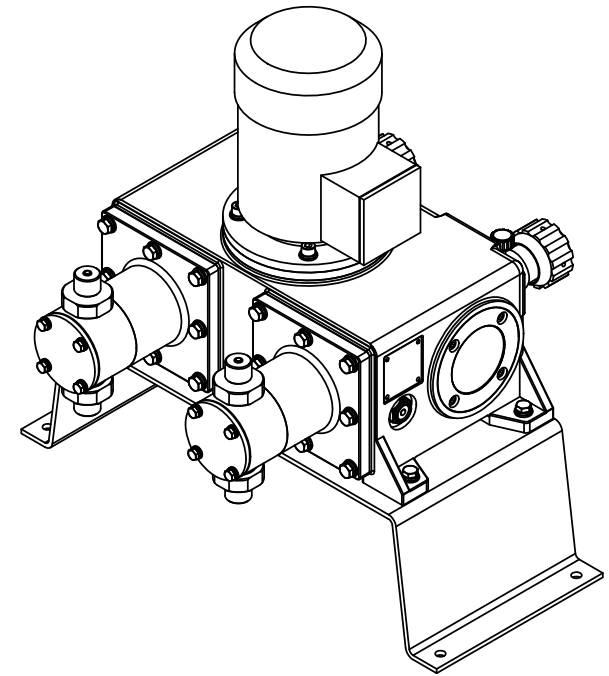
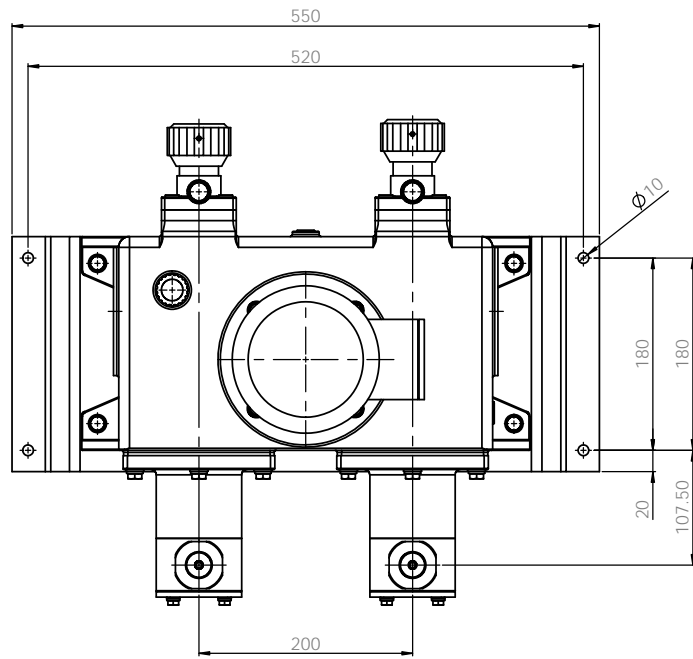
**Note**  
 1. Model : GUMD100  
 2. Material : PP / PVdF  
 3. Connection : Hose

PUMP ASSEMBLY-DIM		E-WHA CHEMICAL FEEDER CO., LTD.	
GUMD100PCH-H06		PVC	
AD1000E1003A		A1	
SCALE 1:1		SHEET 1 OF 1	



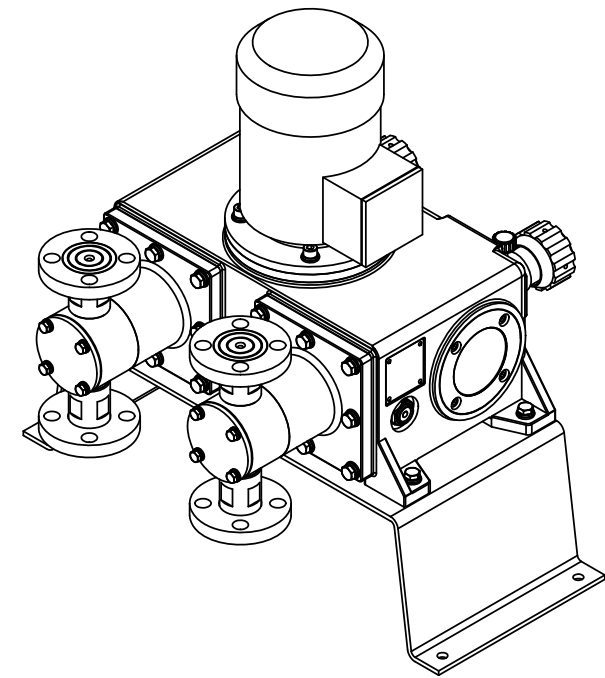
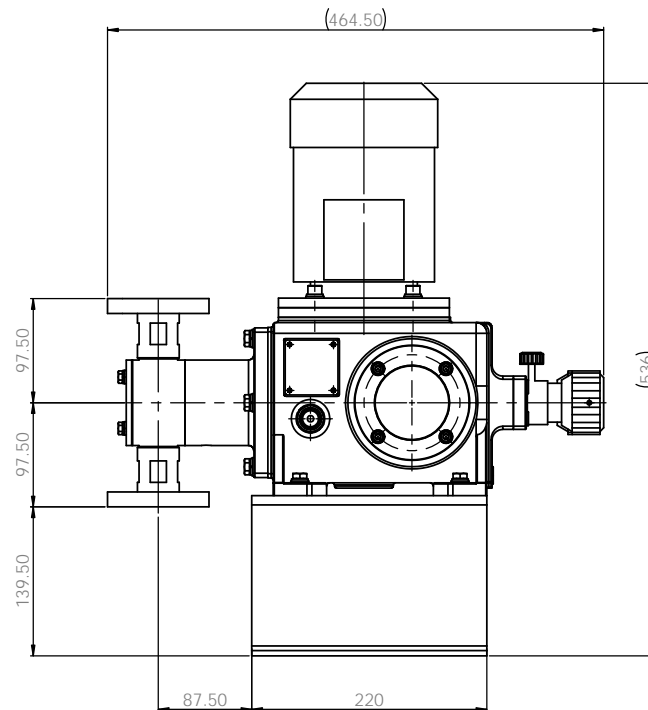
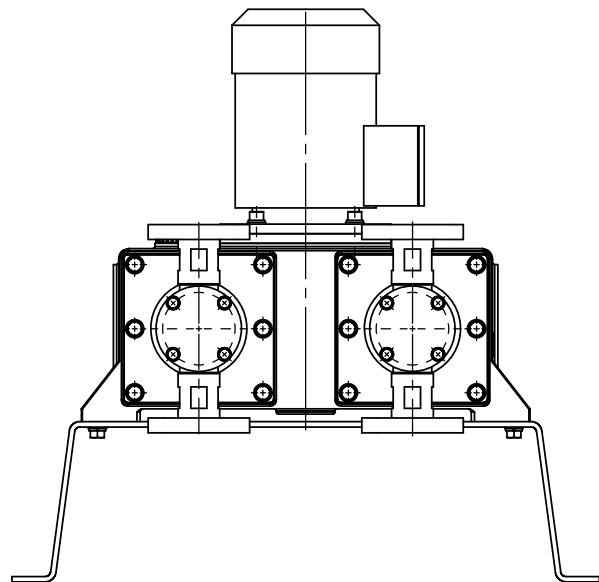
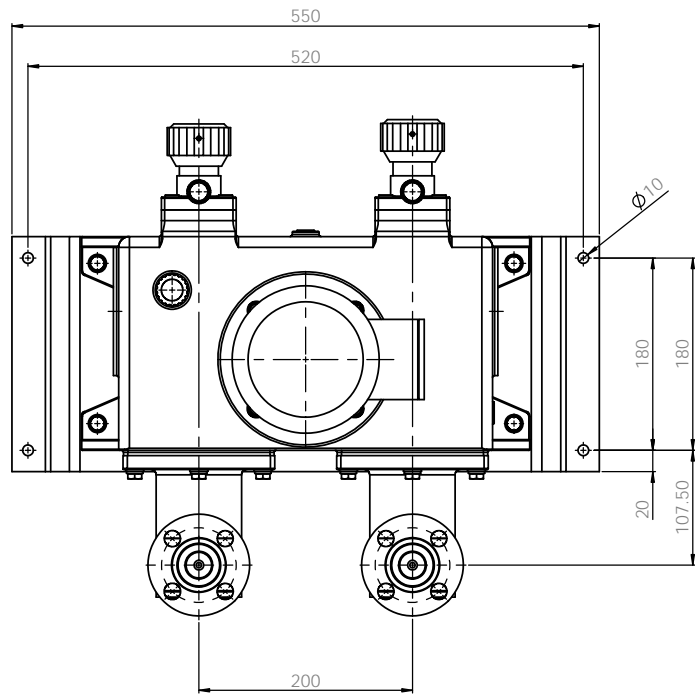
**Note**  
 1. Model : GUMD100  
 2. Material : PP / PVdF  
 3. Connection : Flange

PANEL DIMENSIONS SPECIFIED		DIMENSIONS ARE IN MILLIMETERS		TOLERANCES UNLESS OTHERWISE SPECIFIED		FINISH AND BEVEL SHARP EDGES		DO NOT SCALE DRAWING		REVISION	
DATE	BY	DATE	BY	DATE	BY	DATE	BY	NO.	DESCRIPTION	DATE	BY
2010.12.10	W. PARK	2010.12.10	W. PARK	2010.12.10	S.C. KIM						
2010.12.10	W. PARK	2010.12.10	W. PARK	2010.12.10	S.C. KIM						
2010.12.10	S.C. KIM	2010.12.10	S.C. KIM	2010.12.10	S.C. KIM						
MATERIAL								PVC		DRAWING NO.	
SCALE 1:1								AD1000E1004A		A1	
SHEET 1 OF 1											



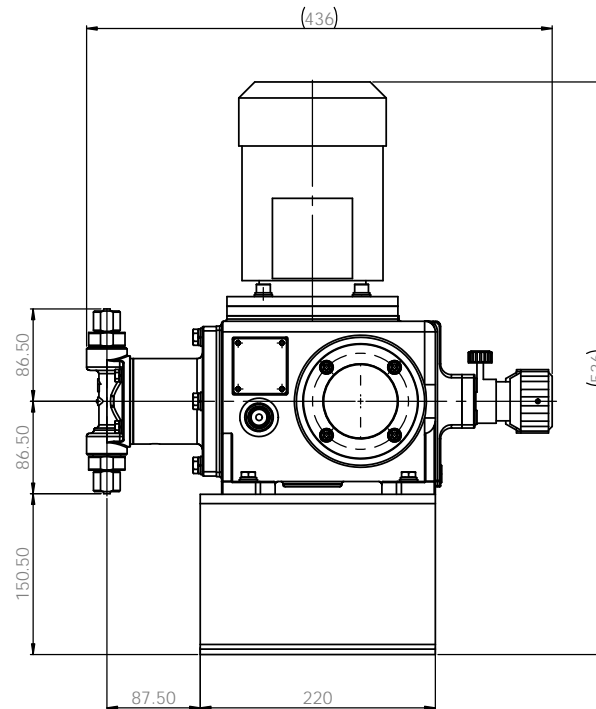
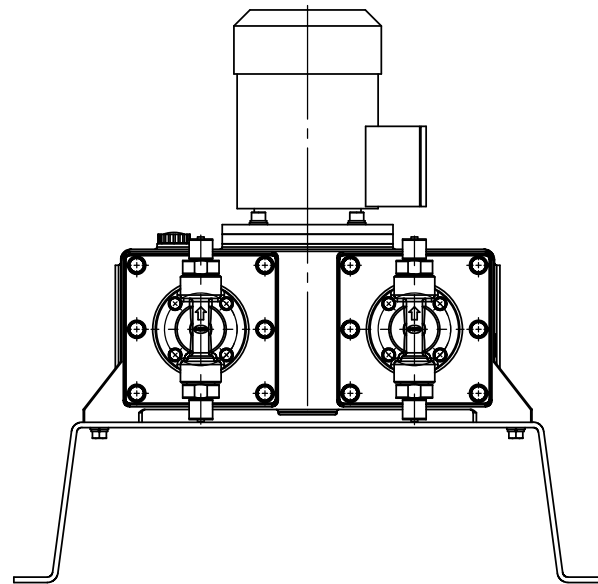
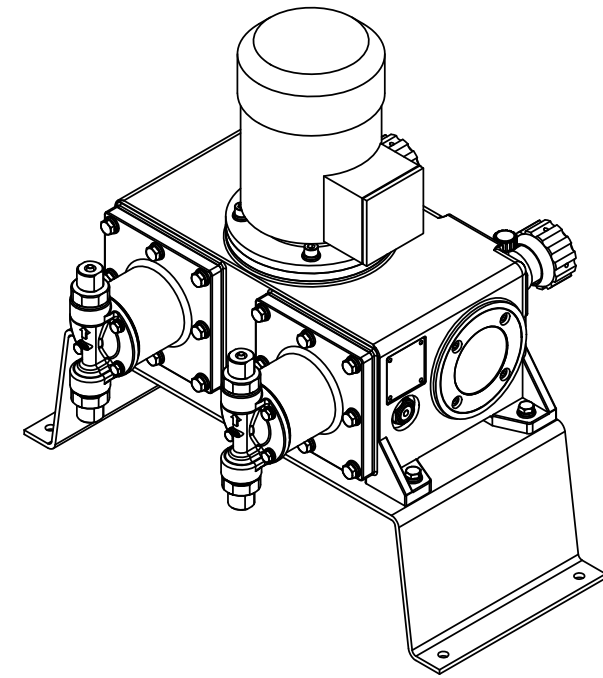
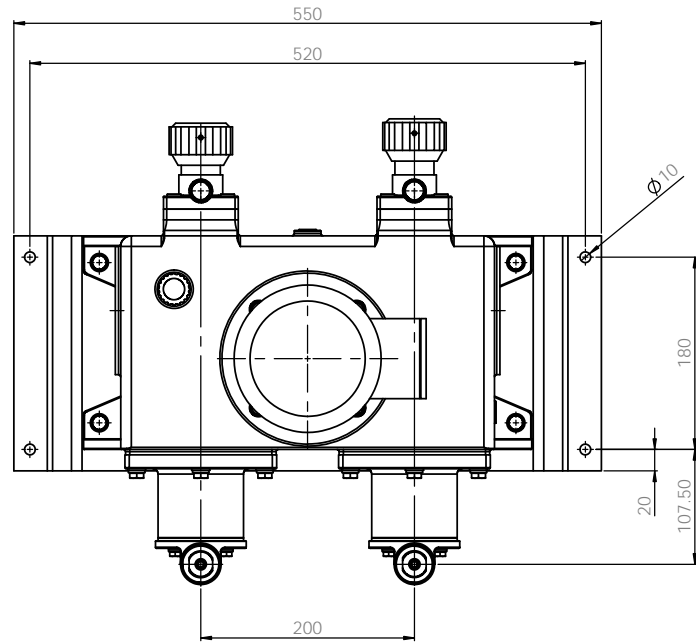
**Note**  
 1. Model : GUMD100  
 2. Material : PTFE  
 3. Connection : Hose

ALL DIMENSIONS SPECIFIED UNLESS OTHERWISE SPECIFIED DIMENSIONS ARE IN MILLIMETERS UNLESS INDICATED OTHERWISE				FINISH BRASS AND BRASS SHARP POLISH		DO NOT SCALE DRAWING		REVISION
DRAWN W. PARK	DATE 2010.12.10	CHECKED W. PARK	DATE 2010.12.10	MATERIAL PTFE	DIM. NO. AD1004E1003A	E-WHA CHEMICAL FEEDER CO., LTD. PUMP ASSEMBLY-DIM GUMD100TCH-H06		
APPROVED S.C. KIM	DATE 2010.12.10					SCALE 1:1 SHEET 1 OF 1		



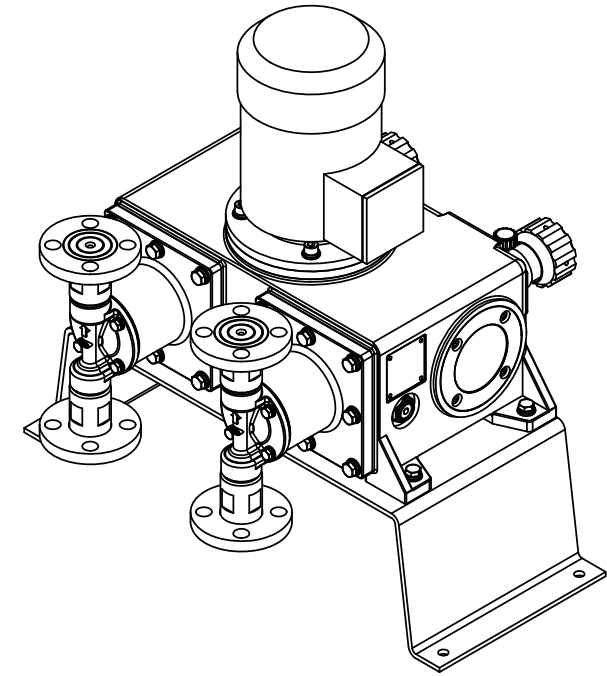
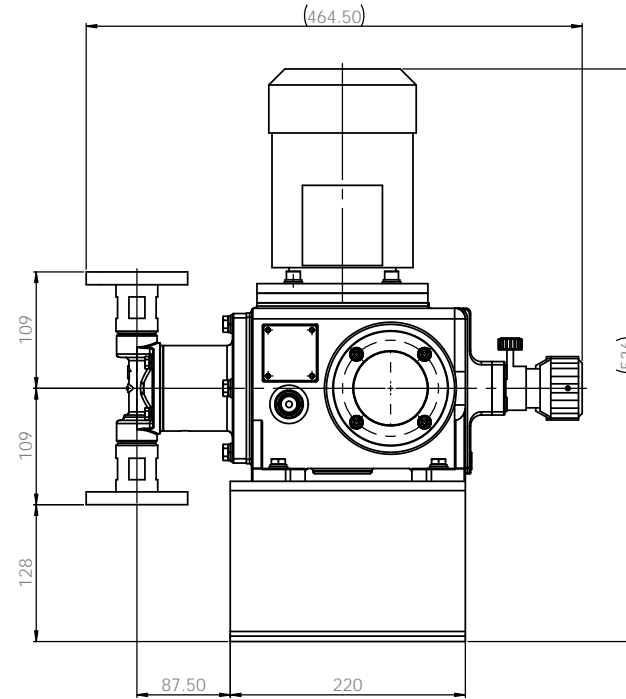
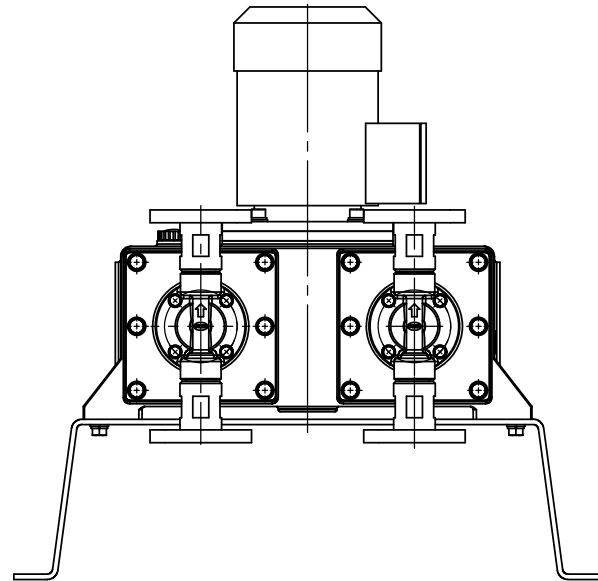
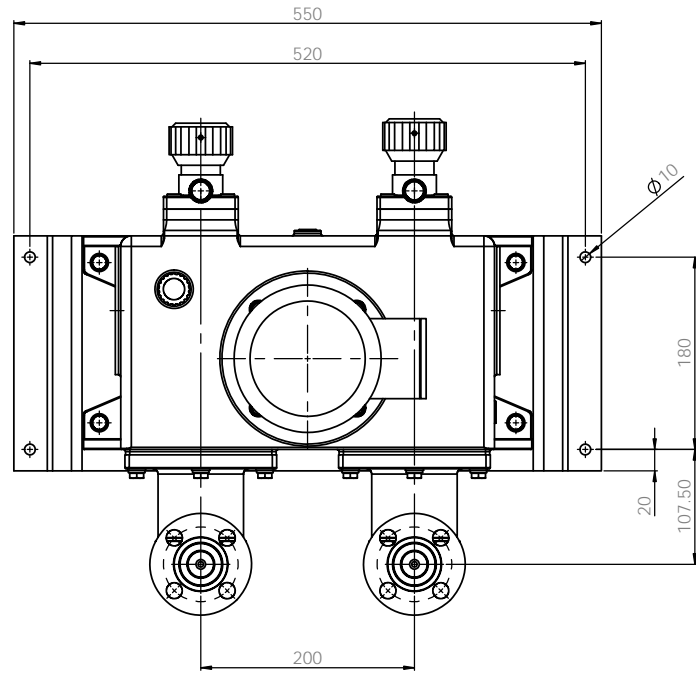
**Note**  
 1. Model : GUMD100  
 2. Material : PTFE  
 3. Connection : Flange

ALL DIMENSIONS SPECIFIED UNLESS OTHERWISE SPECIFIED DIMENSIONS ARE IN MILLIMETERS TOLERANCES: FINISH: ANGULAR			FINISH: BRASS GRAB POLISH	DO NOT SCALE DRAWING REVISION
DRAWN: W. PARK CHECK: W. PARK APPROV: S.C. KAP DATE: 2020.12.02 DATE: 2020.12.02 DATE: 2020.12.02	MODEL: GUMD100 SHEET:	TITLE: PUMP ASSEMBLY-DIM GUMD100TCF-KS 10K 15A FF	MATERIAL: PTFE	DWG NO: AD1004E1004A
SCALE: 1:1			SHEET: 1 OF 1	A1



**Note**  
 1. Model : GUMD100  
 2. Material : Stainless steel  
 3. Connection : Hose

ALL DIMENSIONS SPECIFIED UNLESS OTHERWISE SPECIFIED DIMENSIONS ARE IN MILLIMETERS UNLESS INDICATED OTHERWISE		TOLERANCE AND SURFACE FINISH		DO NOT SCALE DRAWING		REVISION	
DRAWN: W. PARK		DATE: 2020.12.10		PUMP ASSEMBLY-DIM		E-WHA CHEMICAL FEEDER CO., LTD.	
CHECKED: W. PARK		DATE: 2020.12.10		GUMD100S4S4H-H06			
APPROVED: S.C. KIM		DATE: 2020.12.10					
MATERIAL: SUS304		DRAWING NO: AD1201E1003A		SCALE: 1:1		SHEET 1 OF 1	



**Note**  
 1. Model : GUMD100  
 2. Material : Stainless steel  
 3. Connection : Flange

PANEL DIMENSIONS SPECIFIED DIMENSIONS ARE IN MILLIMETERS		FINISH		TOLERANCE AND SURFACE FINISH		DO NOT SCALE DRAWING		REVISION	
DIMENSION	TOLERANCE	FINISH	FINISH	TOLERANCE	FINISH	NO.	DESCRIPTION	DATE	BY
DRWING	W. PAKK	2020.12.10							
CHKED	W. PAKK	2020.12.10							
APPROV	S.C. KEM	2020.12.10							
DATE									
MATERIAL	SUS304								
SCALE	1:1								
E-WHA CHEMICAL FEEDER CO., LTD.							PUMP ASSEMBLY-DIM GUMD100S4S4F-KS 10K 15A FF		
SUS304							AD1201E1004A		