

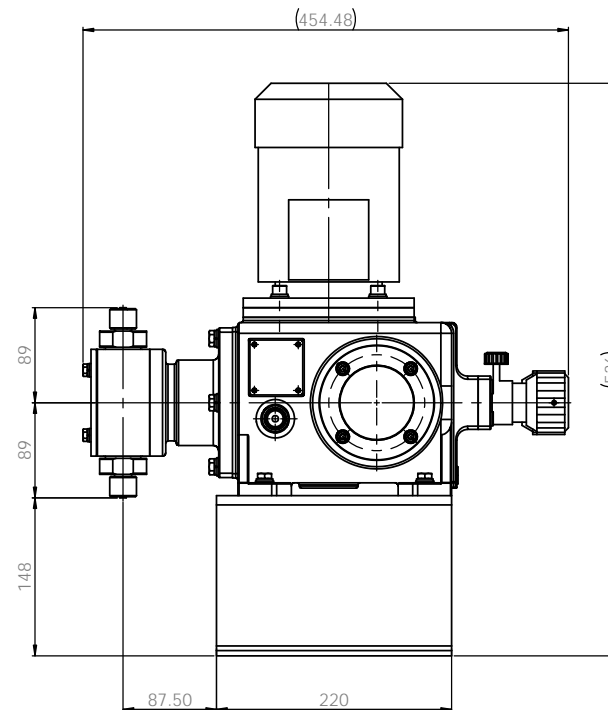
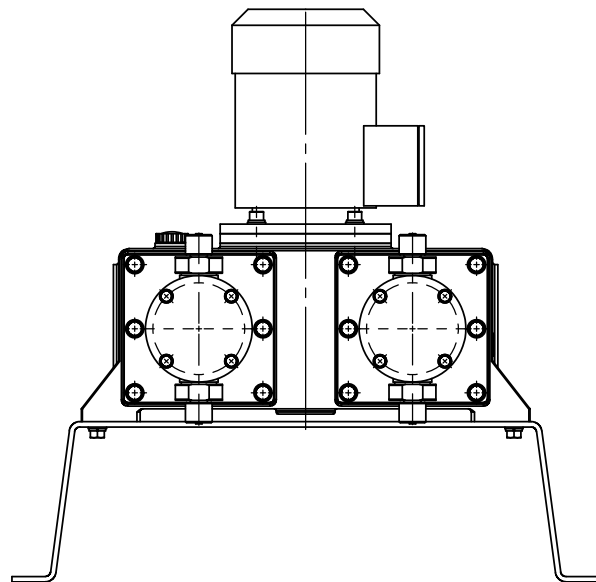
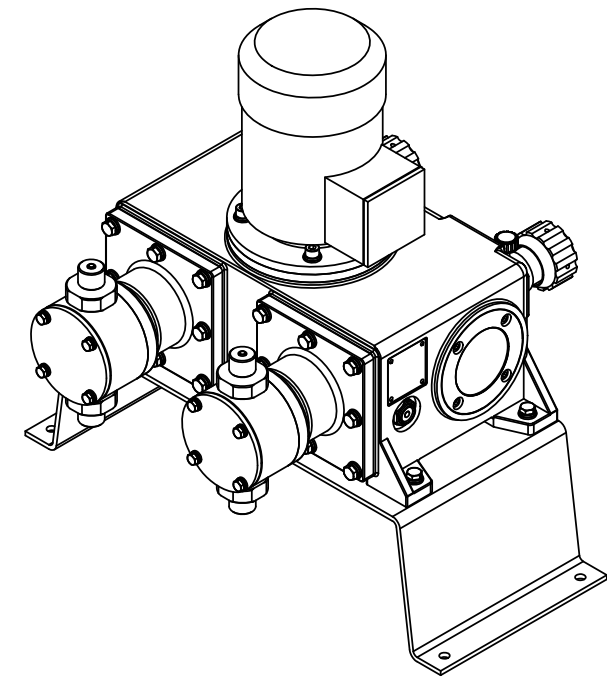
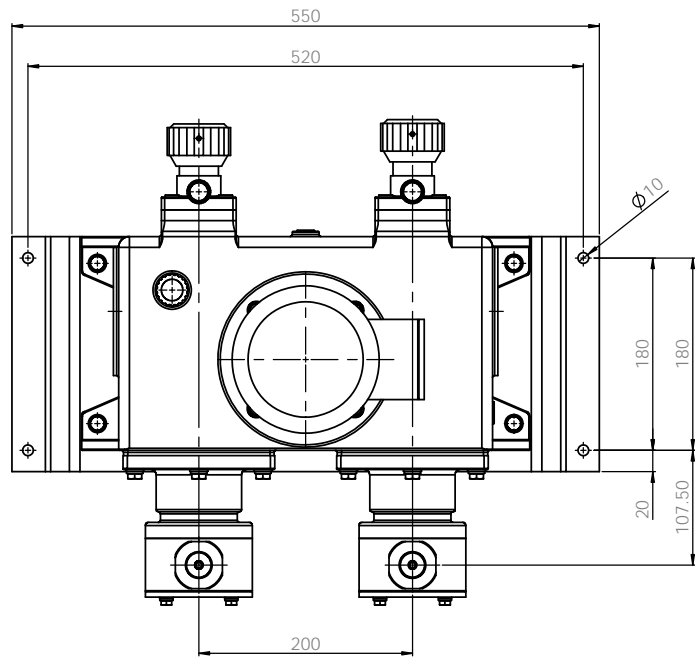
Note
 1. Model : GUMD1000
 2. Material : PP / PVdF
 3. Connection : Hose

PUMP ASSEMBLY-SPECIFIED DIMENSIONS ARE IN MILLIMETERS UNLESS OTHERWISE SPECIFIED				SCALE AND BREAK SHARP EDGES		DO NOT SCALE DRAWING		REVISION	
DATE	BY	CHKD	APPV	DATE	BY	DATE	BY	DATE	BY
2020.12.10	W. PARK			2020.12.10					
2020.12.10	W. PARK			2020.12.10					
2020.12.10	S.C. KIM			2020.12.10					
MATERIAL: PVC				DRAWING NO: AD1000E1009A		SCALE: 1:1		SHEET 1 OF 1	

E-WHA CHEMICAL FEEDER CO., LTD.

PUMP ASSEMBLY-DIM
 GUMD1000PCH-H10

AD1000E1009A A1



Note
 1. Model : GUMD1000
 2. Material : PTFE
 3. Connection : Hose

PUMP ASSEMBLY-SPECIFIED DIMENSIONS ARE IN MILLIMETERS UNLESS OTHERWISE SPECIFIED				SCALE AND BLOCK SHARP EDGES		DO NOT SCALE DRAWING		REVISION	
DATE	BY	CHKD	APP'D	DATE	BY	DATE	BY	DATE	BY
2020.12.10	W. PARK			2020.12.10					
2020.12.10	W. PARK			2020.12.10					
2020.12.10	S.C. KIM			2020.12.10					
E.L.A.				MATERIAL		PTFE		SCALE 1:1	
E.L.A.				MATERIAL		PTFE		SCALE 1:1	

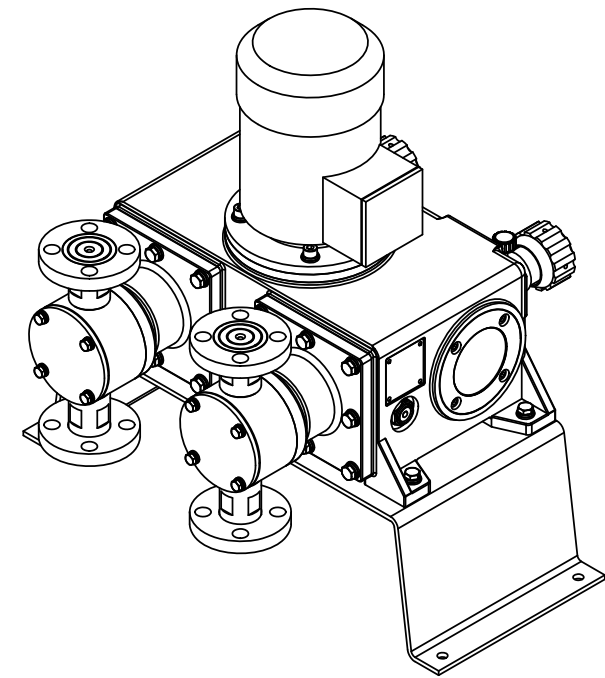
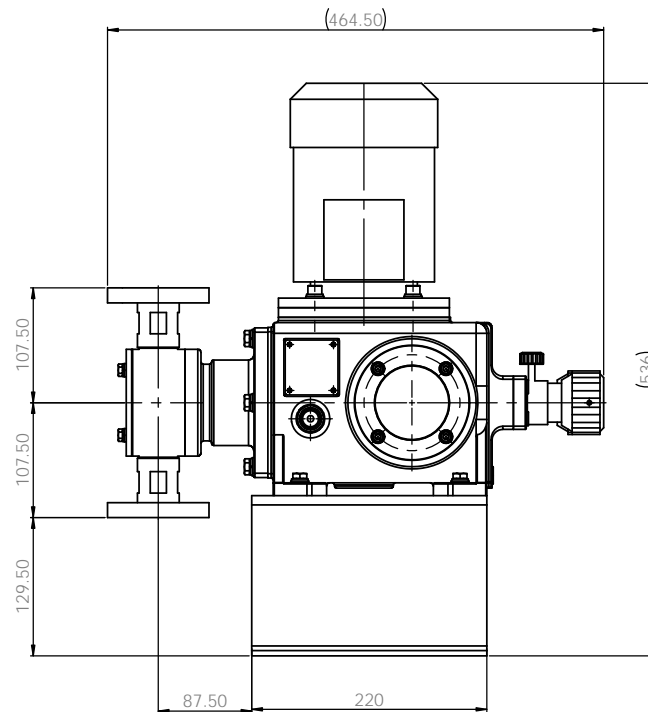
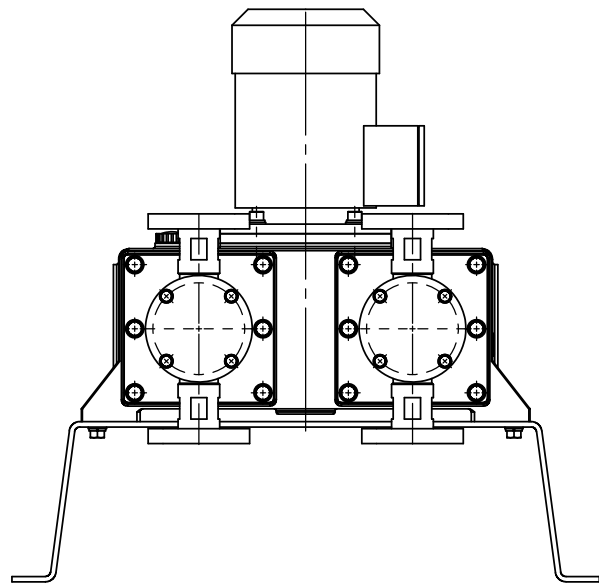
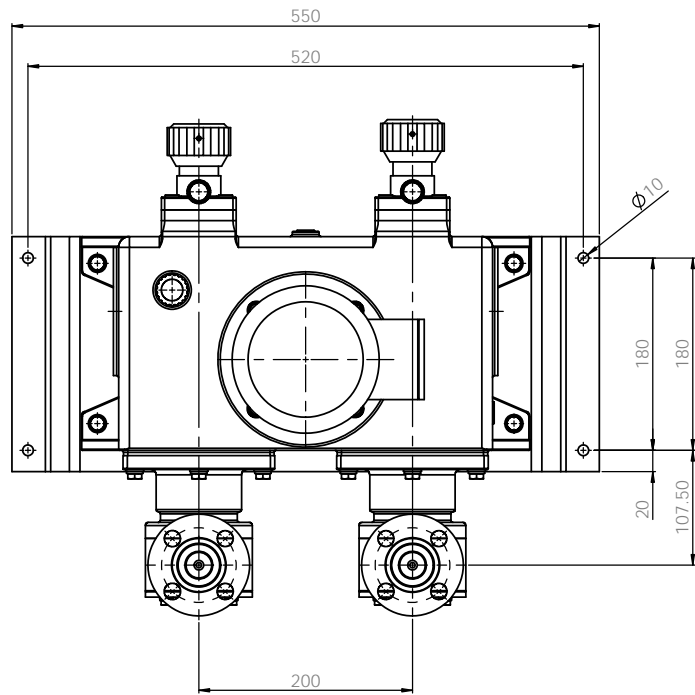
E-WHA CHEMICAL FEEDER CO., LTD.

PUMP ASSEMBLY-DIM
 GUMD1000TCH-H10

AD1004E1009A

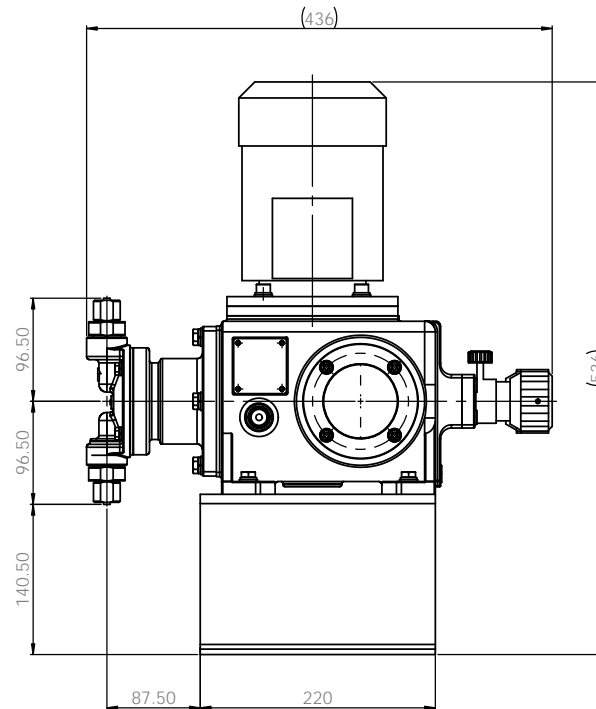
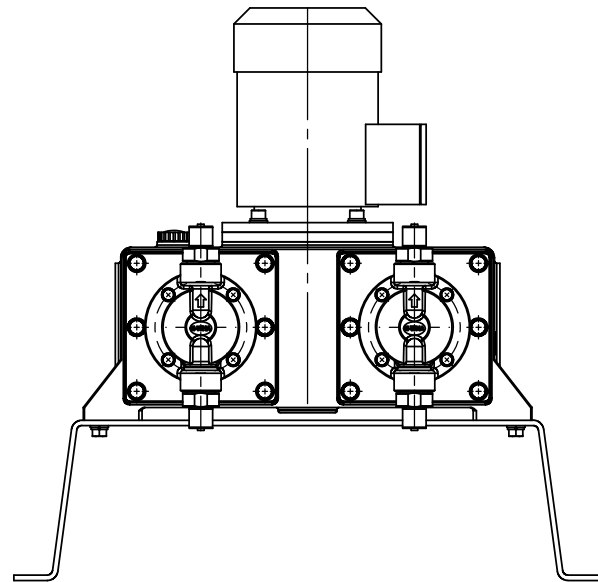
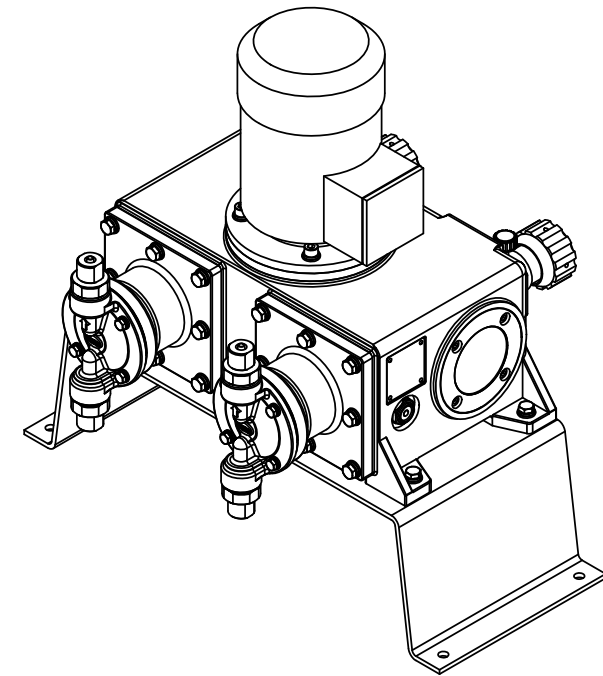
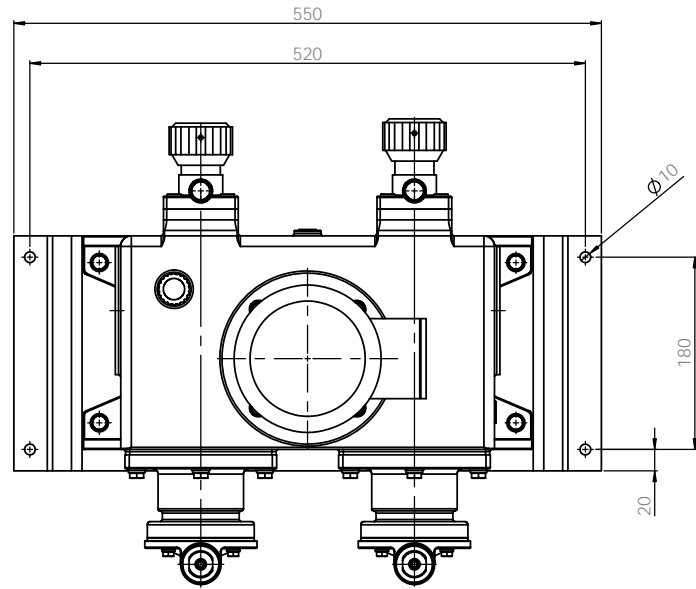
A1

SHEET 1 OF 1



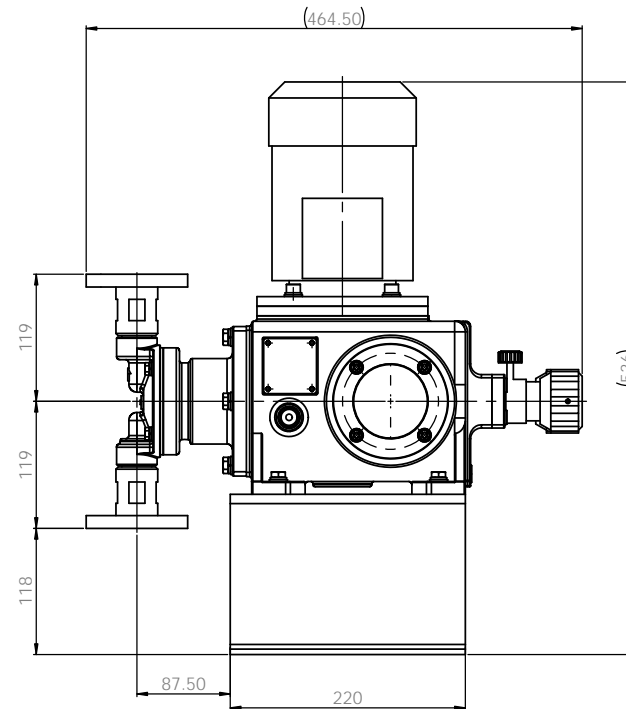
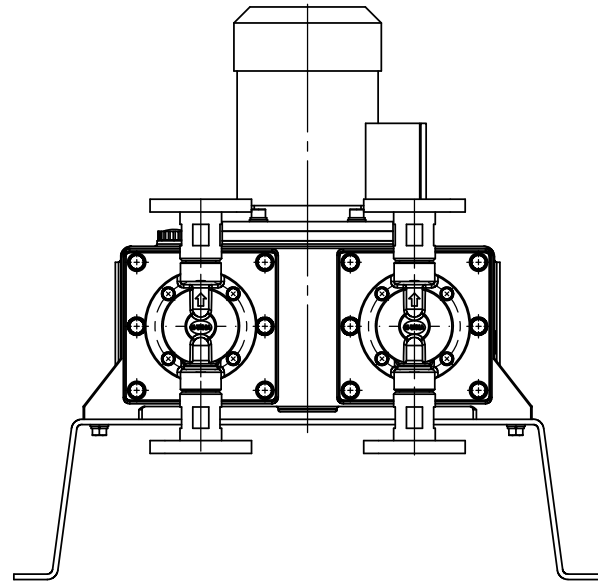
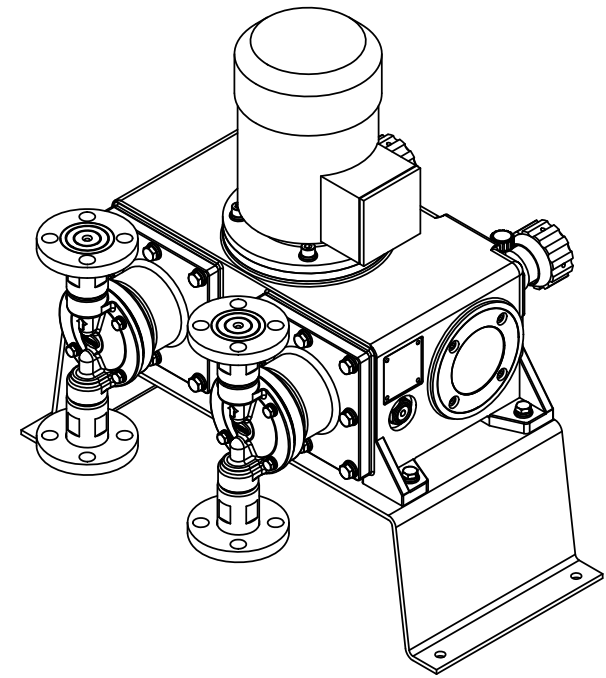
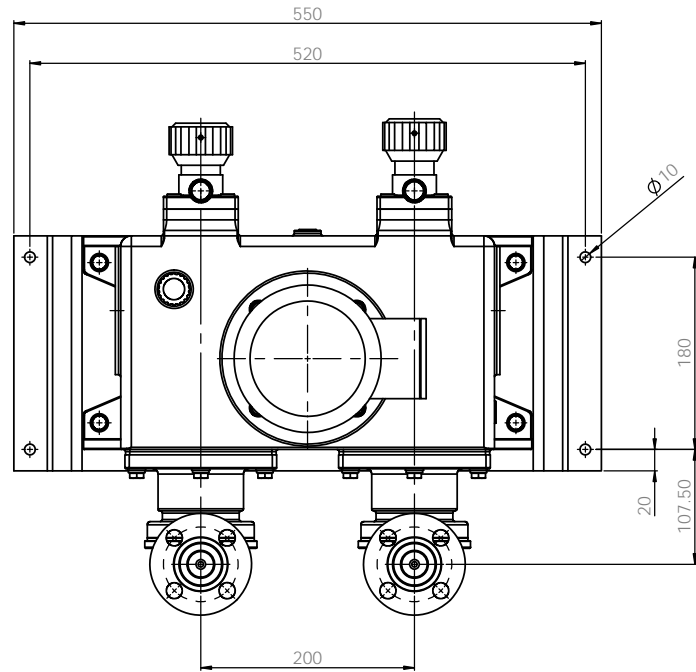
Note
 1. Model : GUMD1000
 2. Material : PTFE
 3. Connection : Flange

PUMP ASSEMBLY SPECIFIED DIMENSIONS ARE IN MILLIMETERS				SCALE AND BREAK SHARP EDGES		DO NOT SCALE DRAWING		REVISION	
DATE	BY	CHKD	APPV	DATE	BY	DATE	BY	DATE	BY
2020.12.10	W. PARK			2020.12.10					
2020.12.10	W. PARK			2020.12.10					
2020.12.10	S.C. KIM			2020.12.10					
MATERIAL				PTFE		DIM. NO.		AD1004E1010A	
SCALE 1:1				SHEET 1 OF 1		E-WHA CHEMICAL FEEDER CO., LTD.		PUMP ASSEMBLY-DIM GUMD1000TCF-KS 10K 15A FF	



Note
 1. Model : GUMD1000
 2. Material : Stainless steel
 3. Connection : Hose

ALL DIMENSIONS SPECIFIED UNLESS OTHERWISE SPECIFIED DIMENSIONS ARE IN MILLIMETERS UNLESS INDICATED OTHERWISE		FINISH AND BRASS SHARP EDGES		DO NOT SCALE DRAWING		REVISION	
DATE	BY	DATE	BY	E-WHA CHEMICAL FEEDER CO., LTD.			
2010.12.10	W. PARK	2010.12.10		REV.			
2010.12.10	W. PARK	2010.12.10		PUMP ASSEMBLY-DIM			
2010.12.10	S.C. KIM	2010.12.10		GUMD1000S4S4H-H06			
				MATERIAL			
				SUS304			
				DWG NO.		A1	
				SCALE 1:1		SHEET 1 OF 1	



Note
 1. Model : GUMD1000
 2. Material : Stainless steel
 3. Connection : Flange

ALL DIMENSIONS SPECIFIED UNLESS OTHERWISE SPECIFIED DIMENSIONS ARE IN MILLIMETERS TOLERANCES: FINISH: ANGULAR		FINISH: BRASS AND BRASS SHARP EDGE	DO NOT SCALE DRAWING REVISION
DRAWN: W. PARK CHECK: W. PARK APPROV: S.C. KAP	DATE: 2020.12.10 2020.12.10 2020.12.10	SCALE: 1:1 MATERIAL: SUS304	E-WHA CHEMICAL FEEDER CO., LTD. PUMP ASSEMBLY-DIM GUMD1000S4S4F-KS 10K 15A FF DWG NO: AD1201E1010A SCALE: 1:1 SHEET 1 OF 1