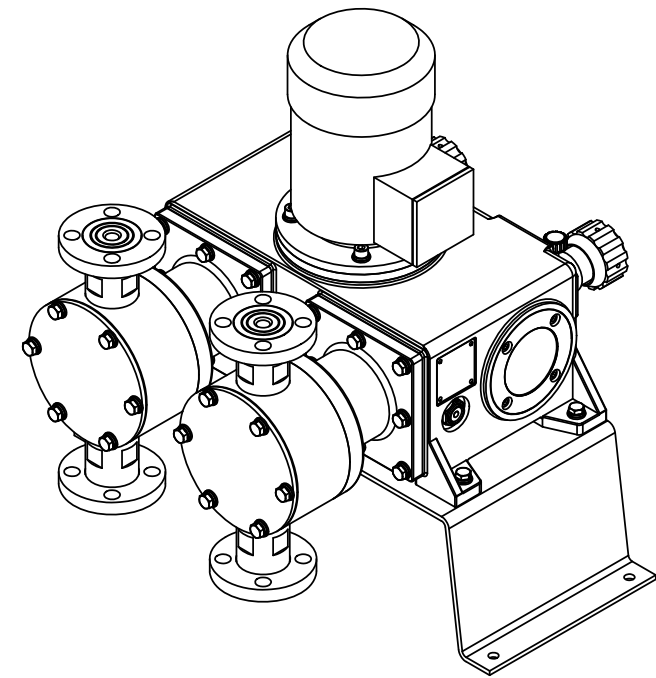
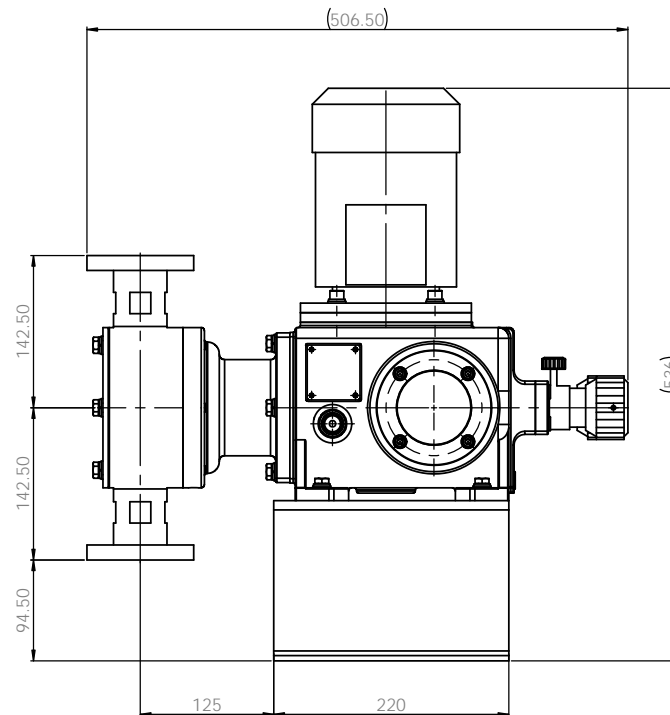
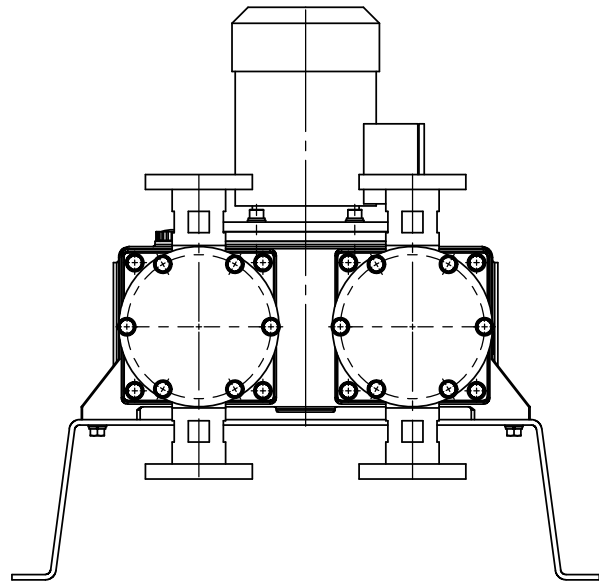
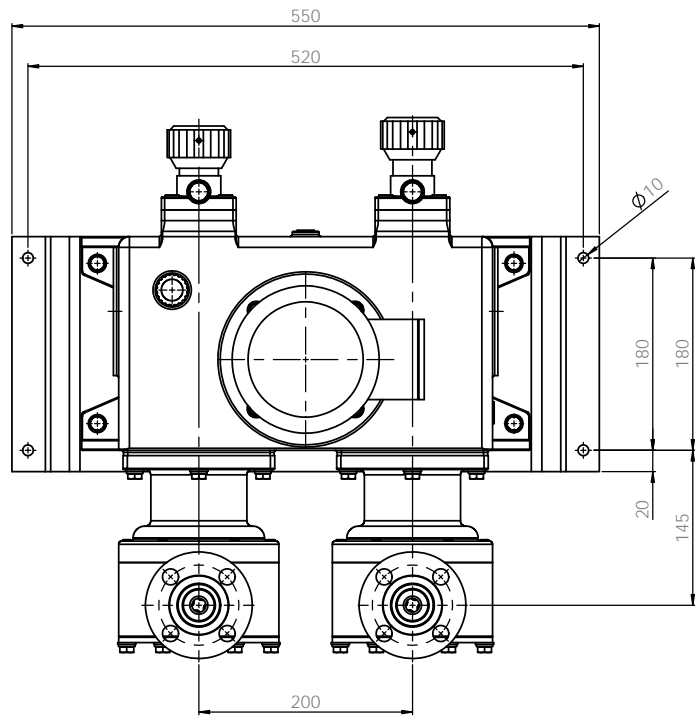


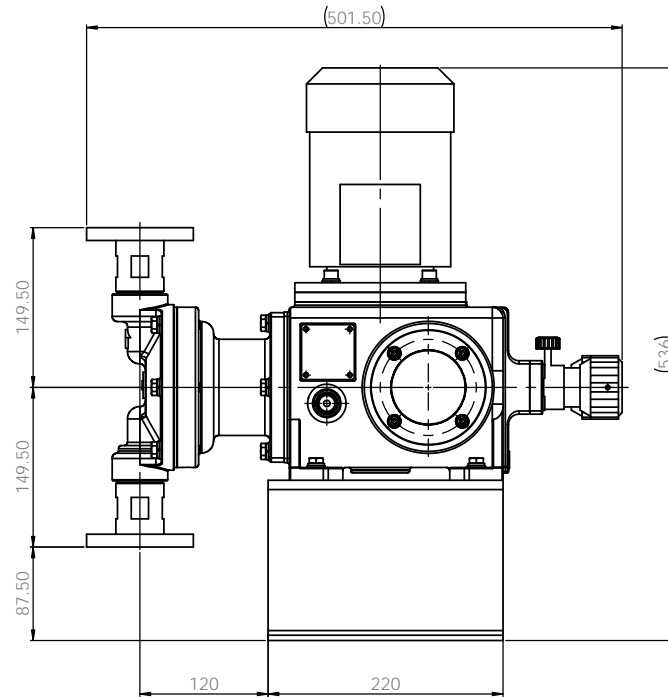
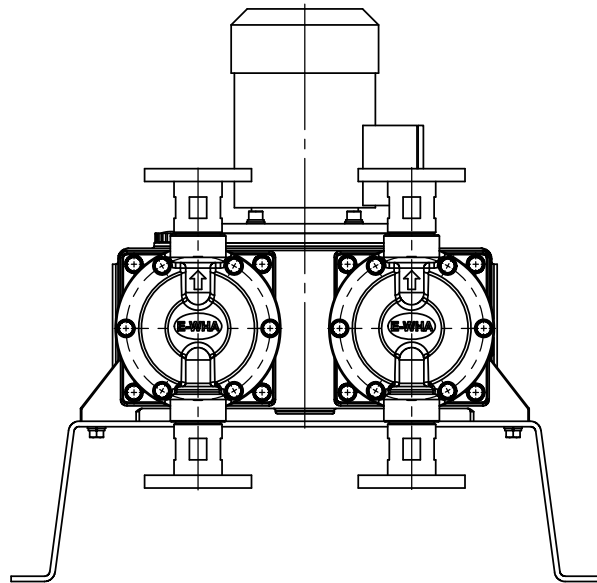
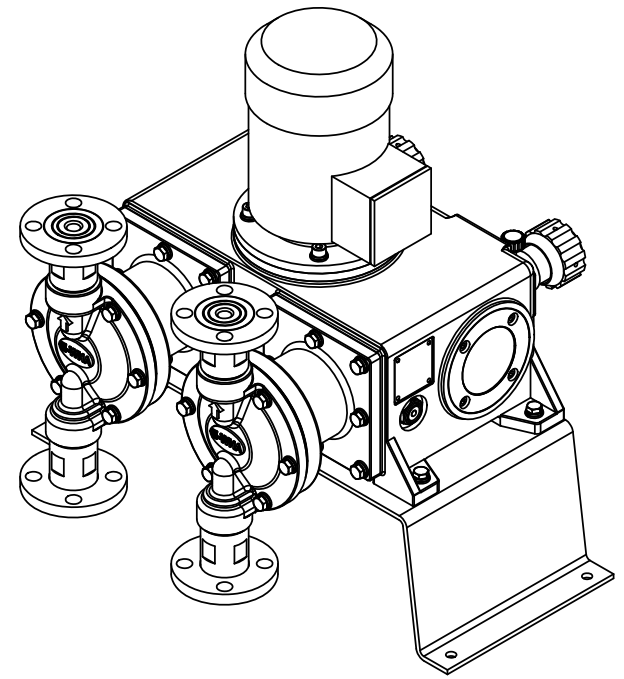
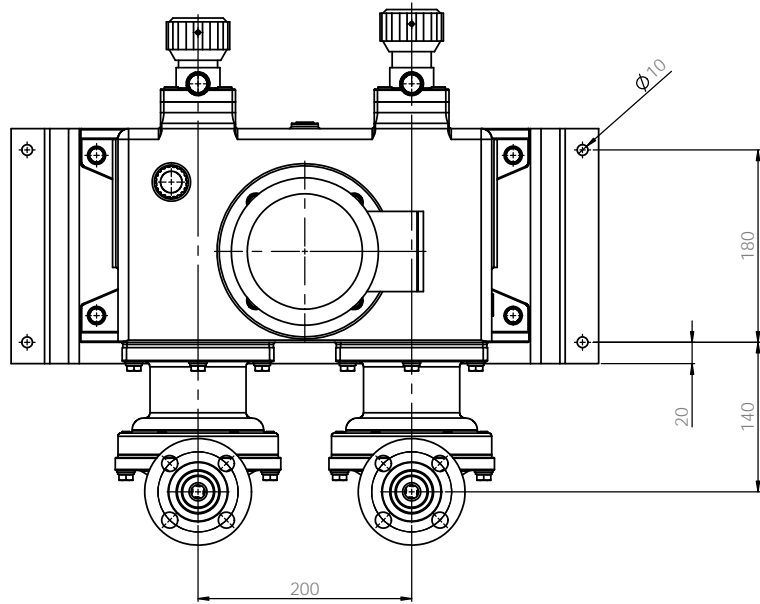
Note
 1. Model : GUMD10L
 2. Material : PP / PVdF
 3. Connection : Flange

PUMP ASSEMBLY-DIM				E-WHA CHEMICAL FEEDER CO., LTD.	
DATE	REV	BY	CHK	DATE	REV
2023.12.10				2023.12.10	
2023.12.10				2023.12.10	
2023.12.10				2023.12.10	
MATERIAL			PVC		
DRAWING NO.			AD1000E1020B		
SCALE			SCALE 1:1		
SHEET			SHEET 1 OF 1		



Note
 1. Model : GUMD10L
 2. Material : PTFE
 3. Connection : Flange

PUMP ASSEMBLY-DIM				E-WHA CHEMICAL FEEDER CO., LTD.	
DATE	REV	BY	CHK	DATE	REV
2023.12.10	1	W. PARK		2023.12.10	
2023.12.10	2	W. PARK		2023.12.10	
2023.12.10	3	S.C. KIM		2023.12.10	
2023.12.10	4	W. PARK		2023.12.10	
MATERIAL			PTFE		
SCALE			1:1		
SHEET			1 OF 1		



Note
 1. Model : GUMD10L
 2. Material : Stainless steel
 3. Connection : Flange

ALL DIMENSIONS SPECIFIED UNLESS OTHERWISE SPECIFIED DIMENSIONS ARE IN MILLIMETERS				SCALE AND BENCH MARK		DO NOT SCALE DRAWING		REVISION	
TOLERANCES UNLESS OTHERWISE SPECIFIED				FINISH		MATERIAL		E-WHA CHEMICAL FEEDER CO., LTD.	
FINISH	SCALE	DATE	DATE	DATE	DATE	DATE	DATE	DATE	DATE
DRAWN	W. PARK	2010.12.10							
CHECK	W. PARK	2010.12.10							
APPROV	S.C. KIM	2010.12.10							
DATE									
MATERIAL						SUS304		DIMC NO.	
						AD1201E1020B		A1	
REVISION						SCALE 1:1		SHEET 1 OF 1	