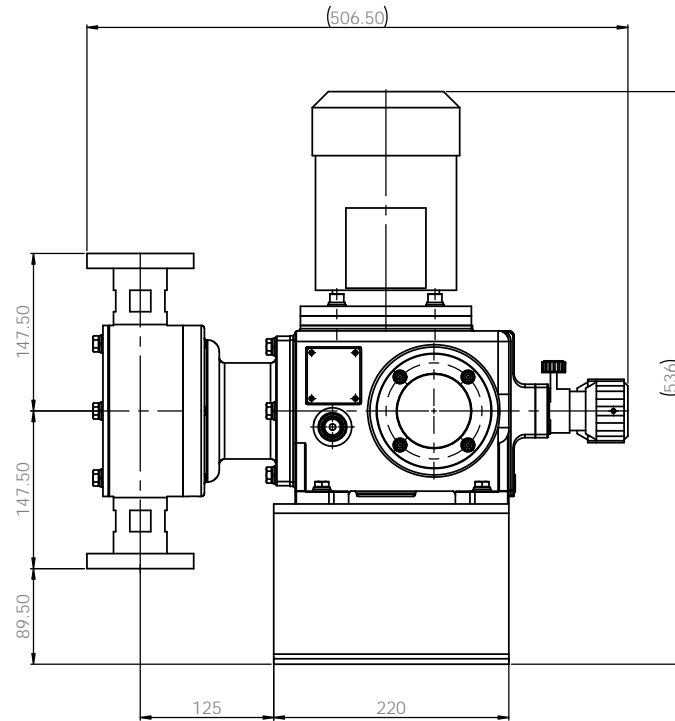
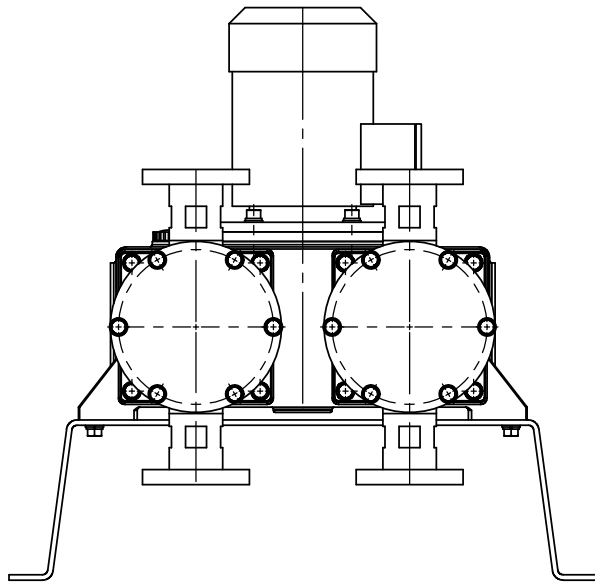
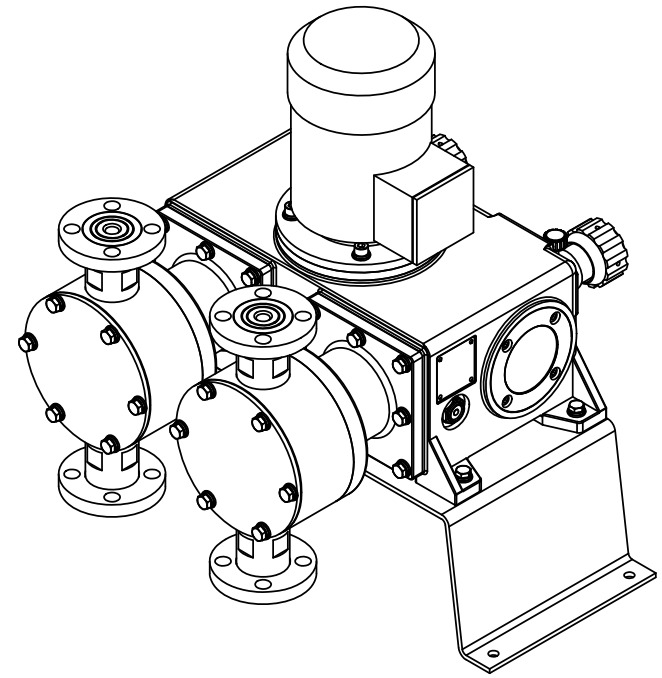
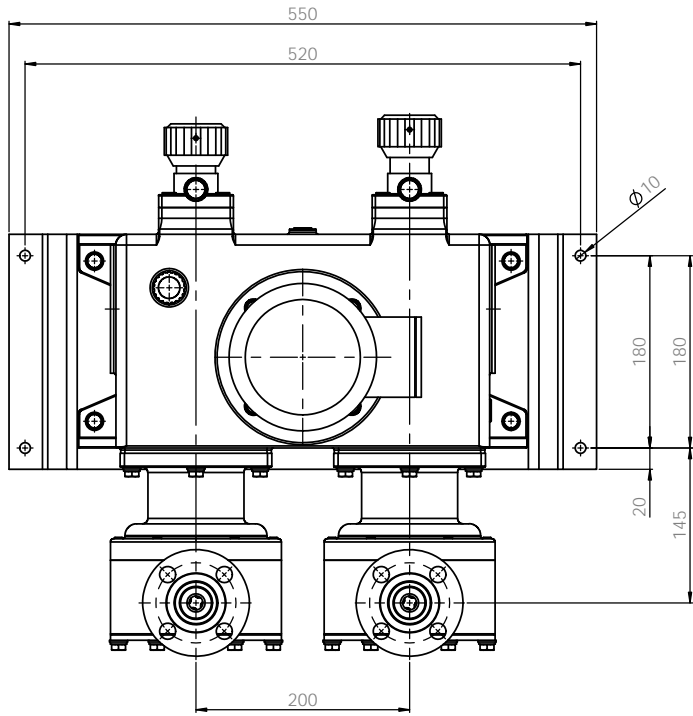


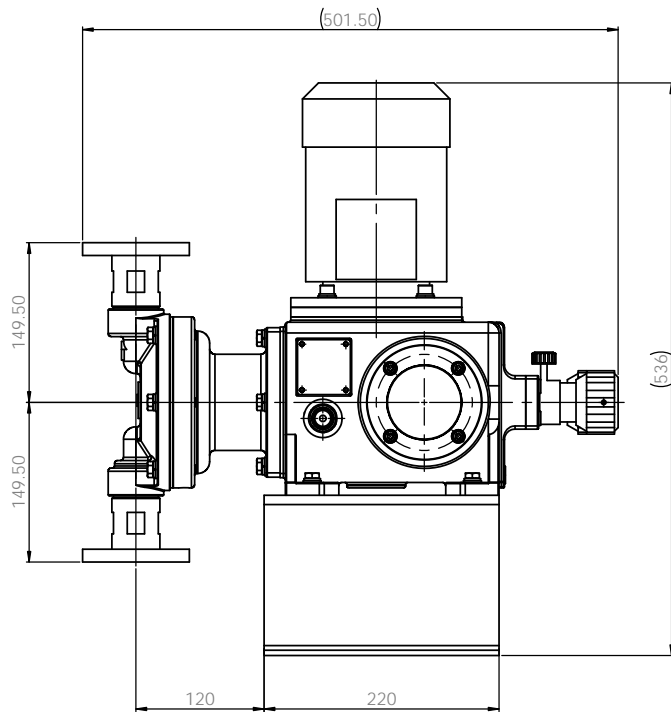
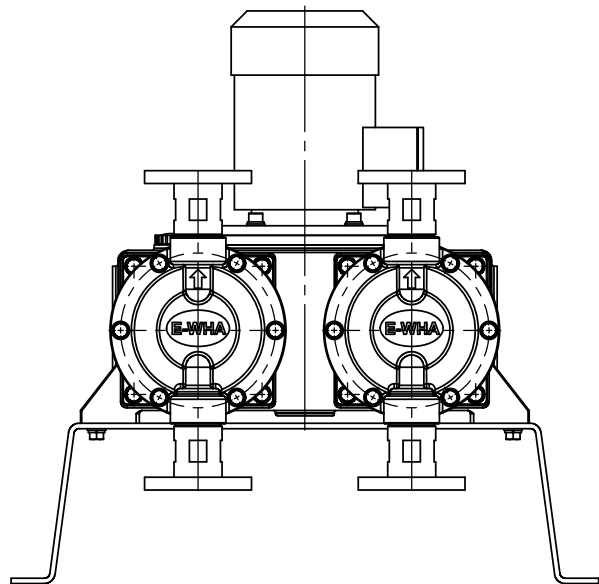
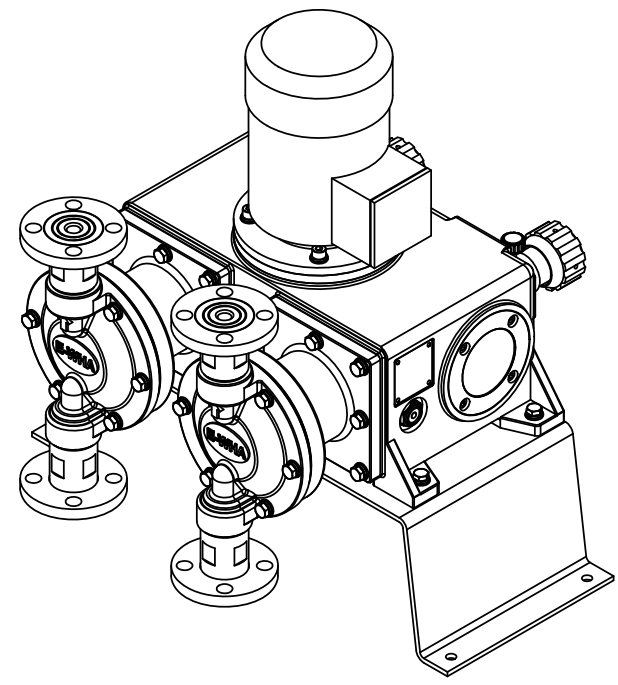
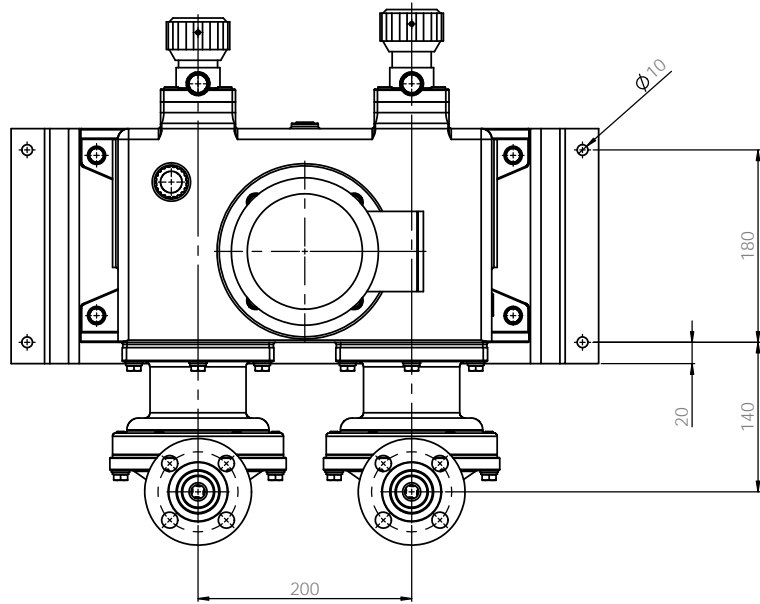
Note
 1. Model : GUMD12L
 2. Material : PP / PVdF
 3. Connection : Flange

PUMP ASSEMBLY-DIM		E-WHA CHEMICAL FEEDER CO., LTD.	
GUMD12LPCF-KS 10K 20A FF		AD1000E1022B	
MATERIAL: PVC		SCALE: 1:1	
SHEET: 1 OF 1		REVISION:	



Note
 1. Model : GUMD12L
 2. Material : PTFE
 3. Connection : Flange

ALL DIMENSIONS SPECIFIED UNLESS OTHERWISE SPECIFIED DIMENSIONS ARE IN MILLIMETERS TOLERANCES: FINISH: ANGULAR		FINISH: BRASS GRASP POLISH	DO NOT SCALE DRAWING REVISION
DRAWN: W. PAKK CHECK: W. PAKK APPROV: S.C. KHA DATE: 2020.12.10 DATE: 2020.12.10 DATE: 2020.12.10	NAME: W. PAKK DESIGNED: W. PAKK DATE: 2020.12.10	MATERIAL: PTFE	E-WHA CHEMICAL FEEDER CO., LTD. PUMP ASSEMBLY-DIM GUMD12LTCF-KS 10K 20A FF DRAWING NO: AD1004E1022B SCALE: 1:1 SHEET 1 OF 1



Note
 1. Model : GUMD12L
 2. Material : Stainless steel
 3. Connection : Flange

ALL DIMENSIONS SPECIFIED UNLESS OTHERWISE SPECIFIED DIMENSIONS ARE IN MILLIMETERS		FINISH		TOLERANCE AND SURFACE FINISH		DO NOT SCALE DRAWING		REVISION	
TOLERANCE: HOLE: ANGULAR		HOLE: H7/g6		HOLE: H7/g6				E-WHA CHEMICAL FEEDER CO., LTD.	
DATE	BY	DATE	BY	DATE	BY	DATE	BY	DATE	BY
2020.12.10	W. PARK	2020.12.10	W. PARK	2020.12.10	S.C. KIM				
2020.12.10	W. PARK	2020.12.10	W. PARK	2020.12.10	S.C. KIM				
2020.12.10	S.C. KIM	2020.12.10	S.C. KIM	2020.12.10	S.C. KIM				
2020.12.10	S.C. KIM	2020.12.10	S.C. KIM	2020.12.10	S.C. KIM				
D.L.A.		MATERIAL		SUS304		DWG. NO.		AD1201E1022B	
SCALE 1:1		SHEET 1 OF 1		SCALE 1:1		SHEET 1 OF 1		SHEET 1 OF 1	