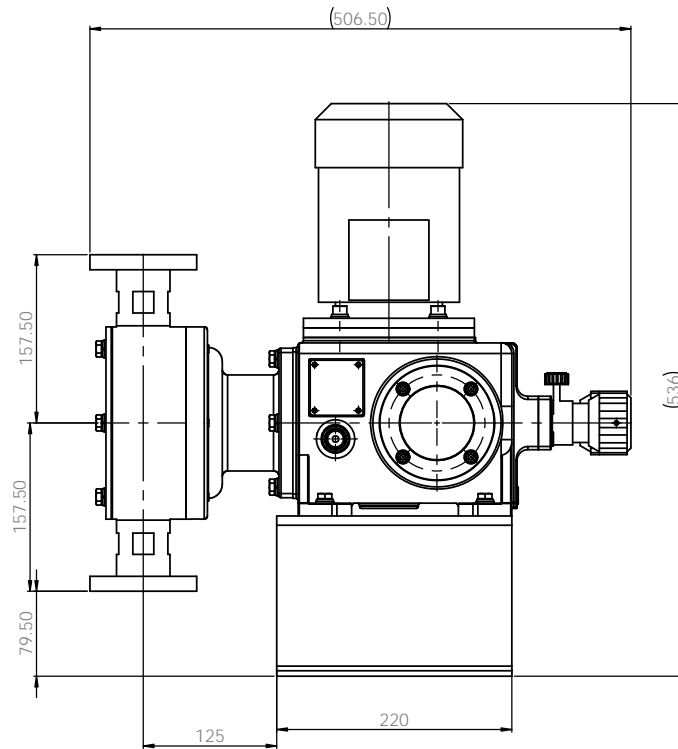
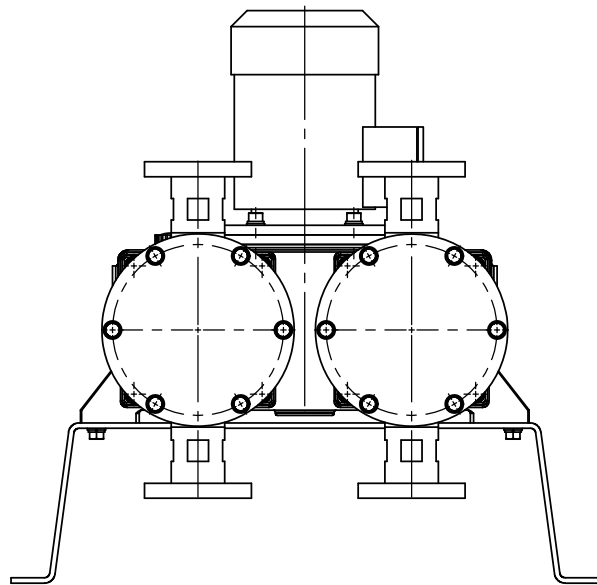
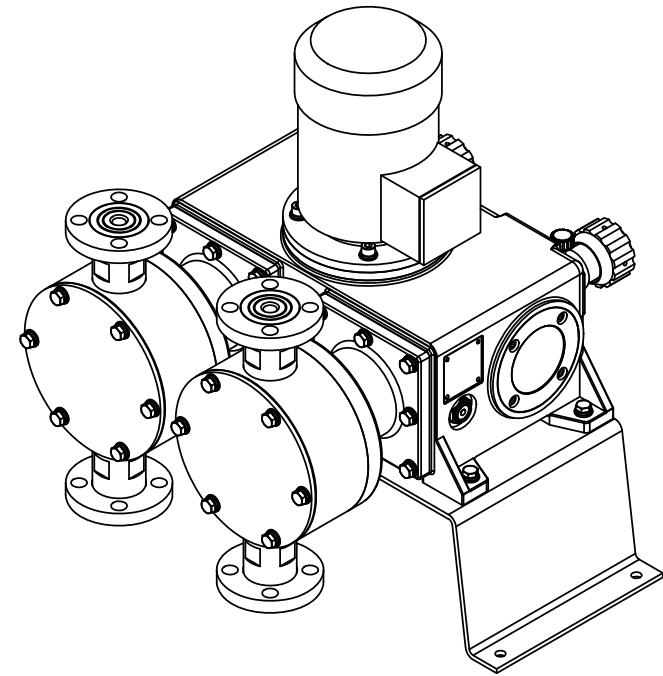
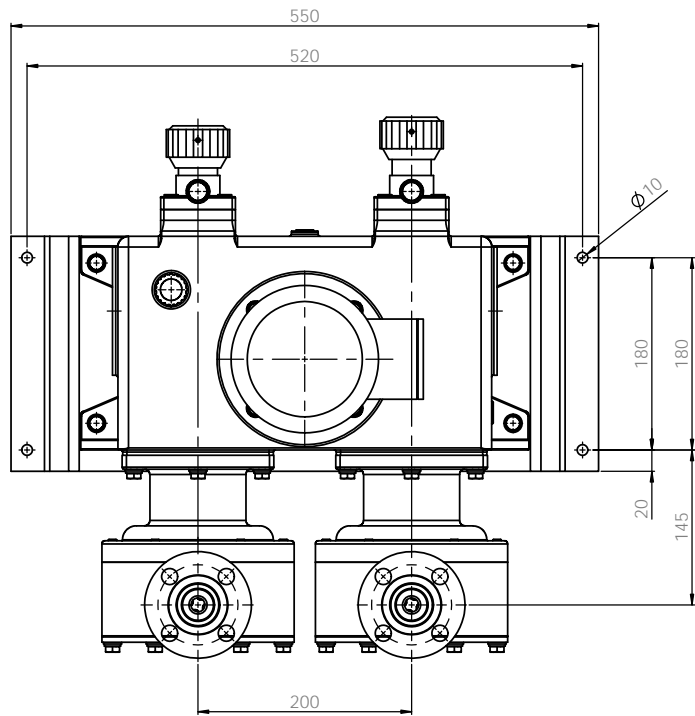


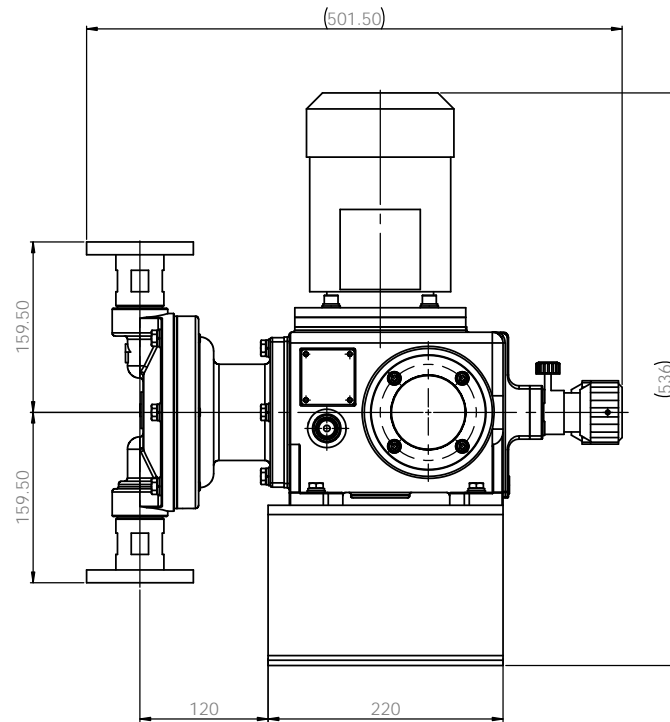
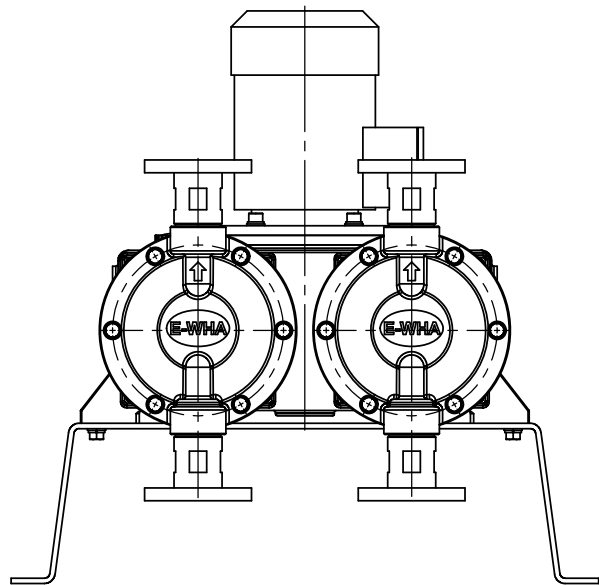
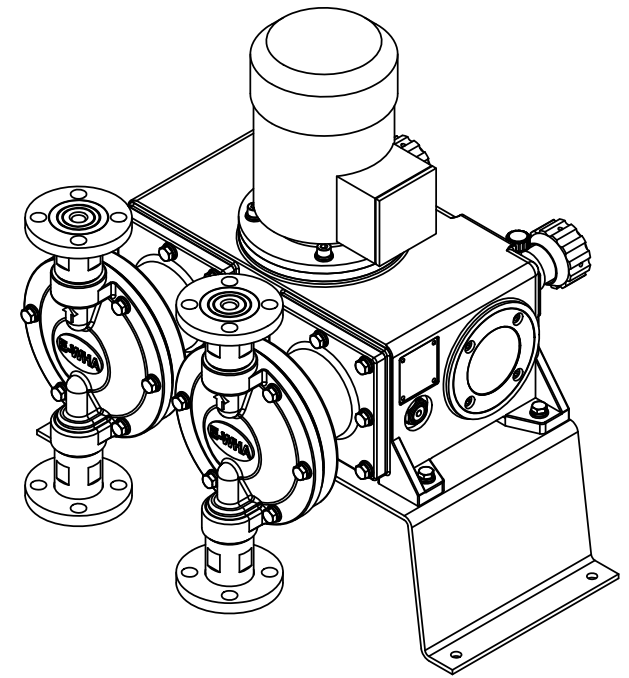
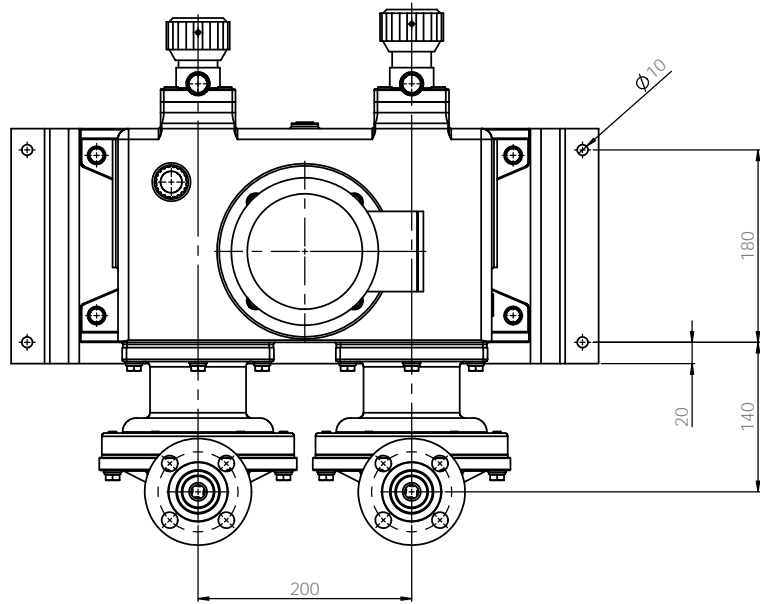
Note
 1. Model : GUMD16L
 2. Material : PP / PVdF
 3. Connection : Flange

ALL DIMENSIONS SPECIFIED UNLESS OTHERWISE SPECIFIED DIMENSIONS ARE IN MILLIMETERS TOLERANCES: FINISH: ANGULAR		FINISH: SURFACE AND BREAK SHARP EDGES	DO NOT SCALE DRAWING REVISION
DRAWN: W. PAKK CHECK: W. PAKK APPROV: S.C. KHA DATE: 2020.12.10 DATE: 2020.12.10 DATE: 2020.12.10	NAME: W. PAKK DESIGNED BY: W. PAKK DATE: 2020.12.10	MATERIAL: PVC	E-WHA CHEMICAL FEEDER CO., LTD. PUMP ASSEMBLY-DIM GUMD16LPCF-KS 10K 20A FF DRAWING NO: AD1000E1024B SCALE: 1:1 SHEET 1 OF 1



Note
 1. Model : GUMD16L
 2. Material : PTFE
 3. Connection : Flange

PANEL DIMENSIONS SPECIFIED CONDICIONI AEE SI VALEREBB MATERIALE ANGOLARI				FINISH		TOLLERANZE MILIMETRI GRADI		DO NOT SCALE DRAWING		REVISION	
DESIGNER	DATE	DESIGNER/REV	DATE								
DRAWN	W. PARK	2020.12.10									
CHECK	W. PARK	2020.12.10									
APPROV	S.C. KHA	2020.12.10									
REV											
DATE											
MATERIAL								PTFE		REV	
SCALE 1:1								AD1004E1024B		A1	
SHEET 1 OF 1											



Note
 1. Model : GUMD16L
 2. Material : Stainless steel
 3. Connection : Flange

PUMP ASSEMBLY-DIM		E-WHA CHEMICAL FEEDER CO., LTD.	
GUMD16LS4S4F-KS 10K 20A FF		REVISION	
SCALE 1:1		SHEET 1 OF 1	
DATE	BY	DATE	BY
2020.12.10			
2020.12.10			
2020.12.10			
MATERIAL		SUS304	
DRAWING NO.		AD1201E1024B	