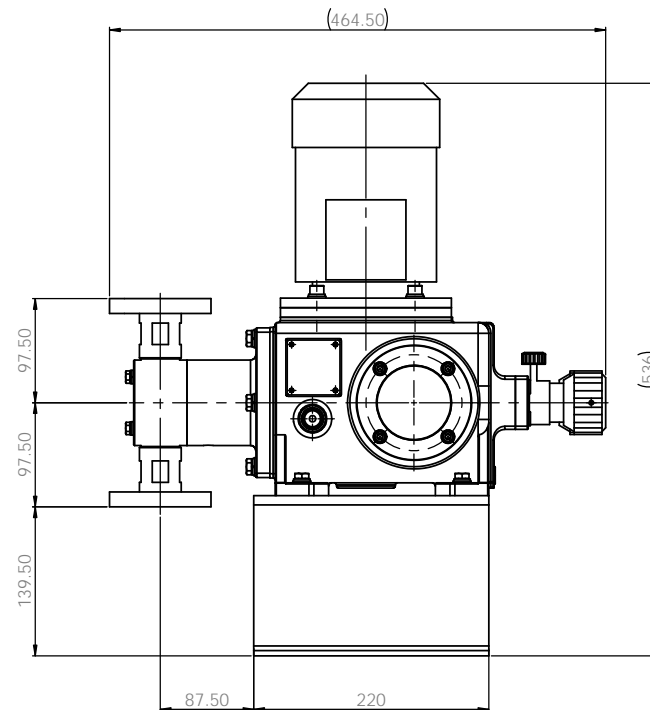
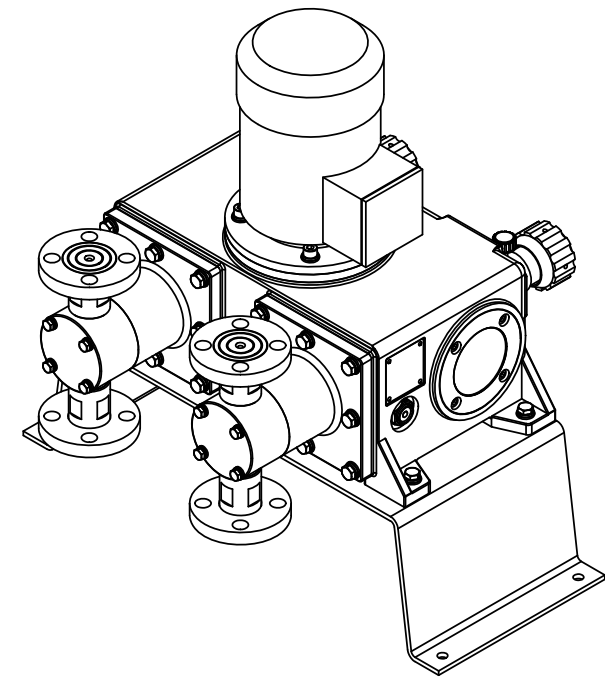
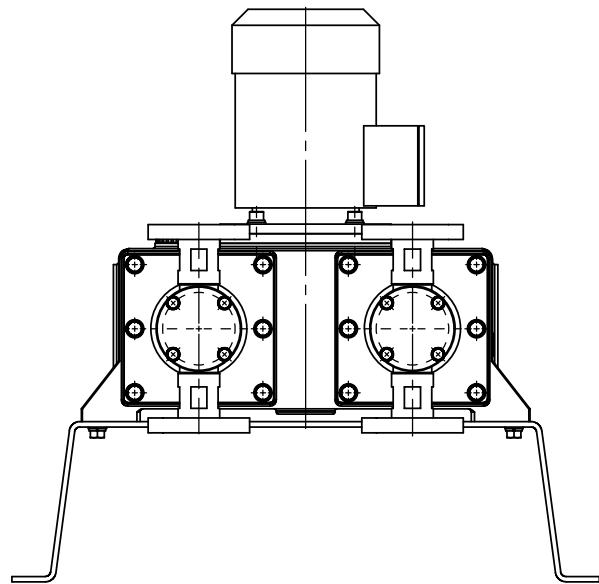
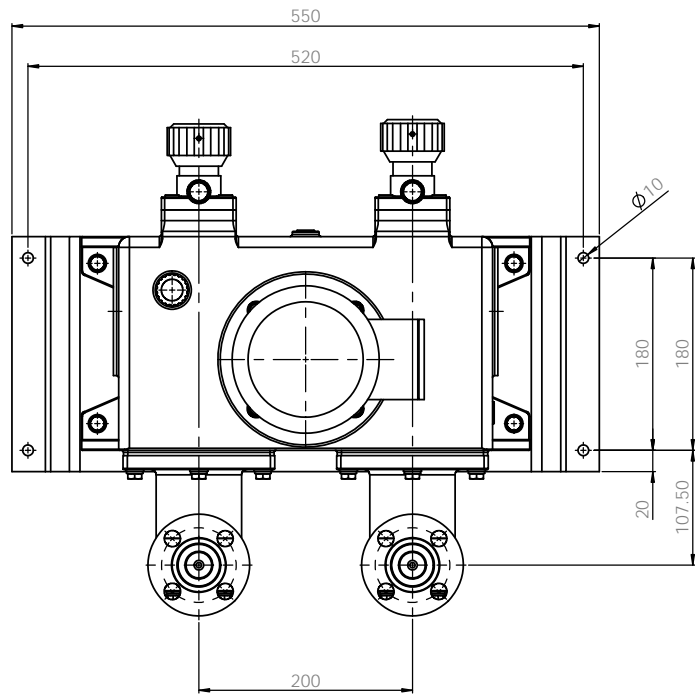


Note
 1. Model : GUMD200
 2. Material : PP / PVdF
 3. Connection : Hose

ALL DIMENSIONS SPECIFIED UNLESS OTHERWISE SPECIFIED DIMENSIONS ARE IN MILLIMETERS TOLERANCES: FINISH: ANGULAR:		FINISH: BRASS AND BRASS SHARP ENDS:	DO NOT SCALE DRAWING REVISION:
DRAWN: W. PARK CHECK: W. PARK APPROV: S.C. KIM DATE: 2010.12.10 DATE: 2010.12.10 DATE: 2010.12.10	NAME: W. PARK DESIGNER: W. PARK DATE: 2010.12.10	MATERIAL: PVC	E-WHA CHEMICAL FEEDER CO., LTD. PUMP ASSEMBLY-DIM GUMD200PCH-H06 A1
SCALE: 1:1		SHEET: 1 OF 1	SHEET: 1 OF 1



Note
 1. Model : GUMD200
 2. Material : PP / PVdF
 3. Connection : Flange

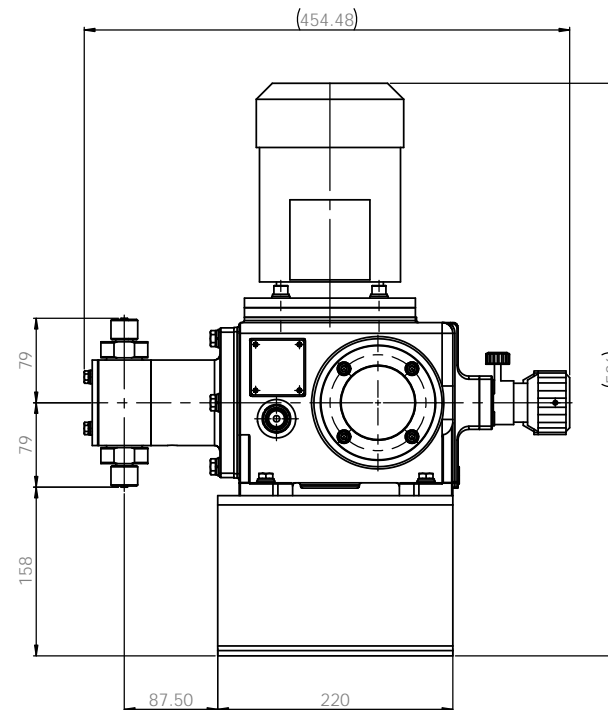
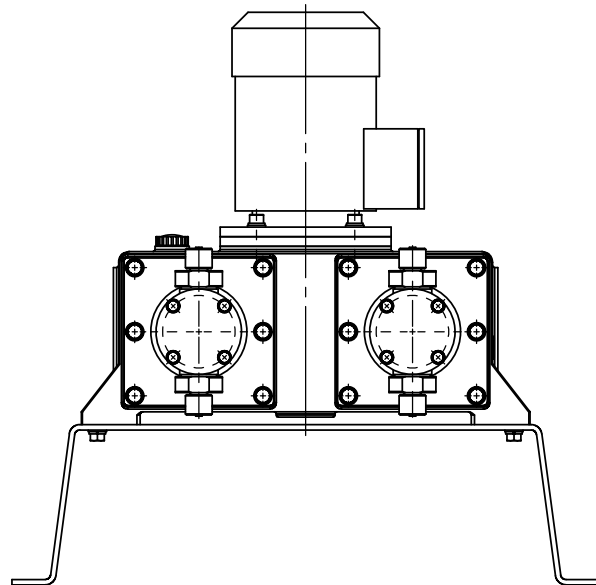
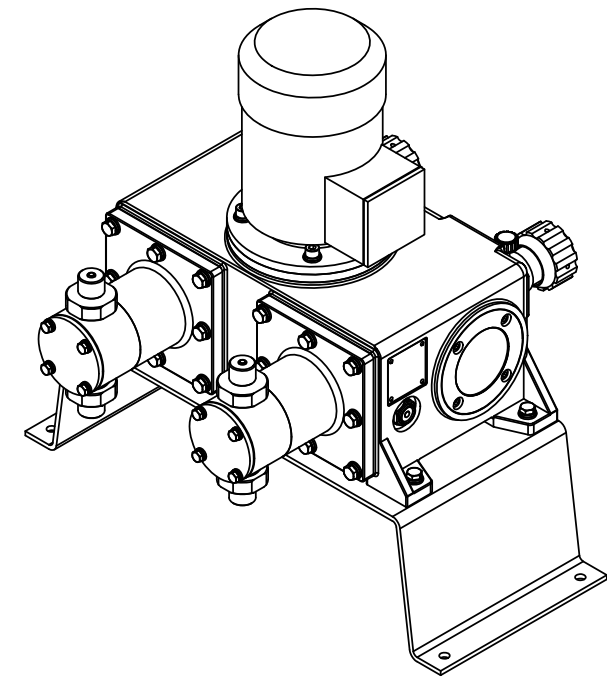
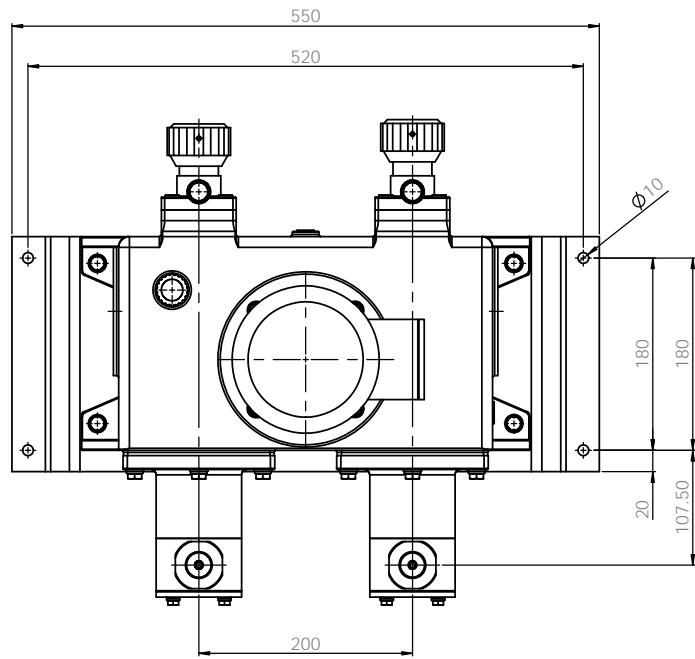
PUMP ASSEMBLY SPECIFIED DIMENSIONS ARE IN MILLIMETERS				SCALE AND BLOCK SHARP EDGES		DO NOT SCALE DRAWING		REVISION	
DATE	BY	CHKD	APPD	DATE	BY	DATE	BY	NO.	DESCRIPTION
2020.12.10	W. PAKH			2020.12.10				1	ISSUED FOR APPROVAL
2020.12.10	W. PAKH			2020.12.10				2	ISSUED FOR MANUFACTURE
2020.12.10	S.C. KHAI			2020.12.10				3	ISSUED FOR MANUFACTURE
MATERIAL: PVC				DRAWING NO: AD1000E1006A		SCALE: 1:1		SHEET 1 OF 1	

E-WHA CHEMICAL FEEDER CO., LTD.

PUMP ASSEMBLY-DIM
 GUMD200PCF-KS 10K 15A FF

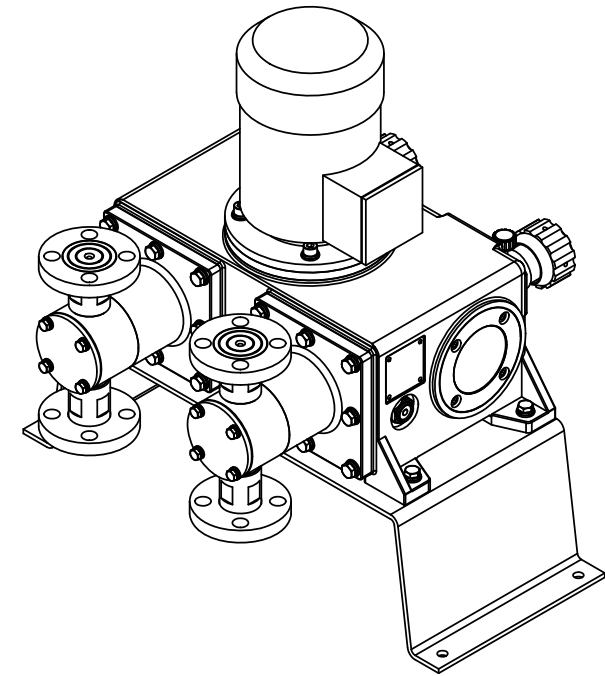
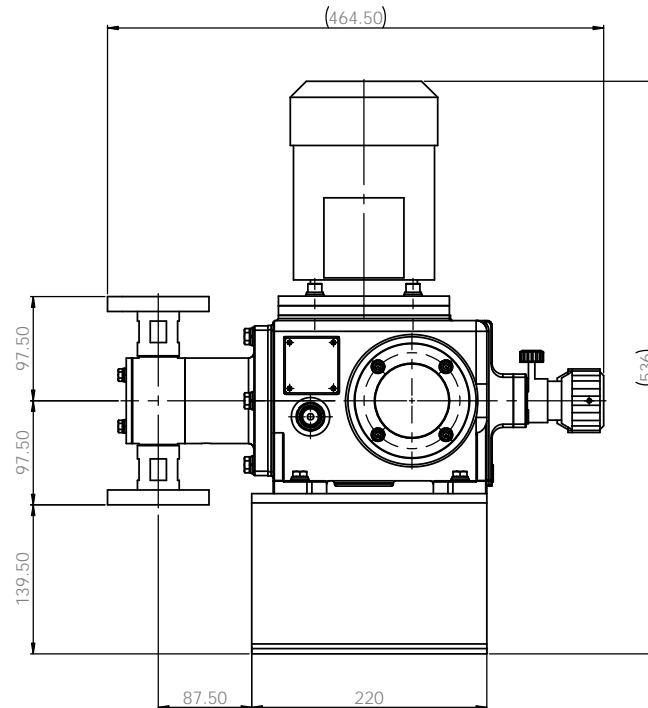
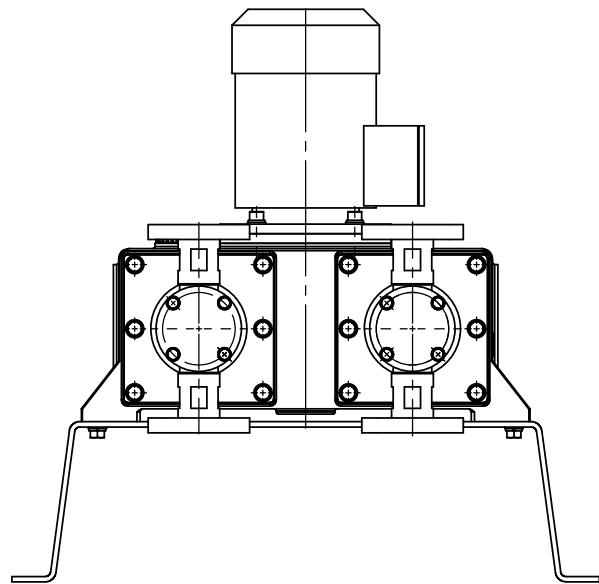
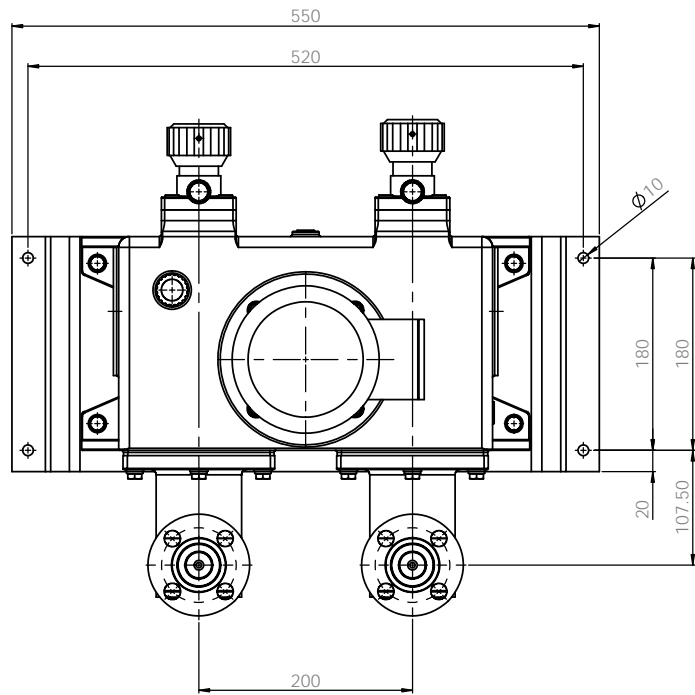
AD1000E1006A

A1



Note
 1. Model : GUMD200
 2. Material : PTFE
 3. Connection : Hose

<small>ALL DIMENSIONS SPECIFIED UNLESS OTHERWISE SPECIFIED DIMENSIONS ARE IN MILLIMETERS UNLESS INDICATED OTHERWISE</small>		<small>FINISH</small> BRASS AND BRASS SHARP ENDS	<small>DO NOT SCALE DRAWING</small>	<small>REVISION</small>
<small>DATE</small> 2010.12.10		<small>SCALE</small> 1:1	E-WHA CHEMICAL FEEDER CO., LTD.	
<small>DRAWN</small> W. PARK	<small>CHECKED</small> W. PARK	<small>DATE</small> 2010.12.10	PUMP ASSEMBLY-DIM GUMD200TCH-H06	
<small>APPROVED</small> S.C. KIM	<small>DATE</small> 2010.12.10	<small>MATERIAL</small> PTFE	<small>ENGINE NO.</small> AD1004E1005A	<small>SHEET</small> 1 OF 1
<small>SCALE</small> 1:1	<small>REVISION</small>	<small>SCALE</small> 1:1	<small>SHEET</small> 1 OF 1	<small>SCALE</small> 1:1



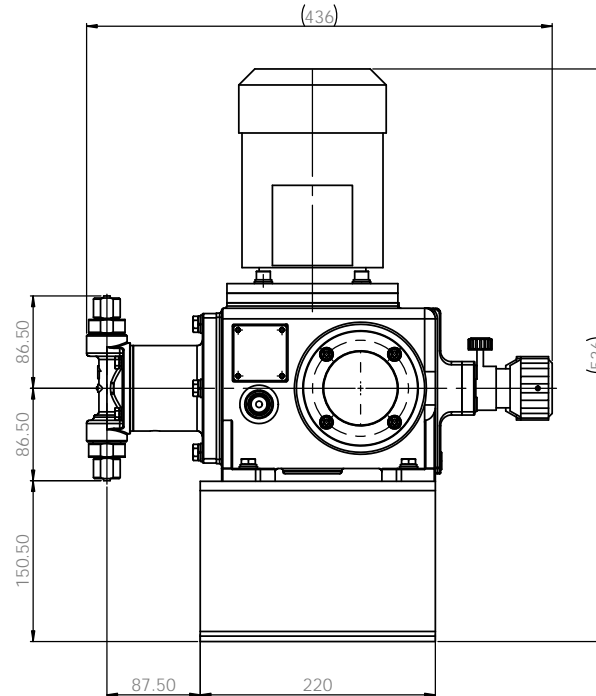
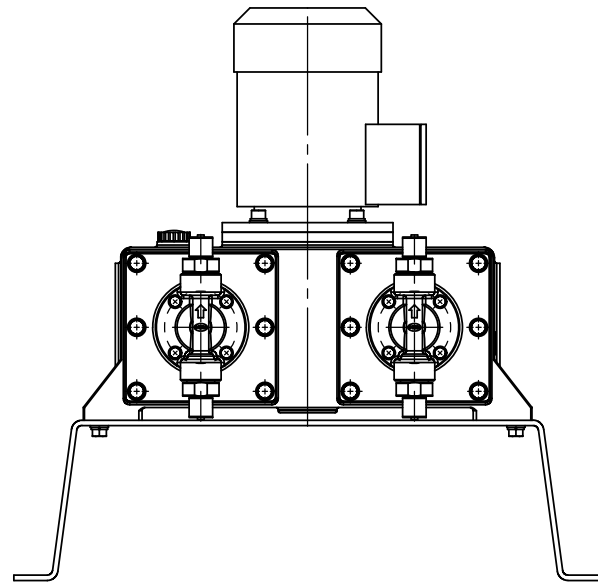
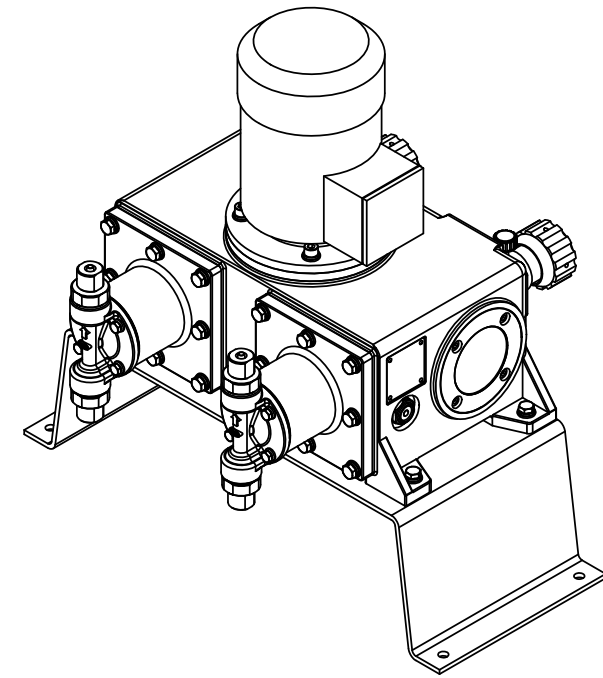
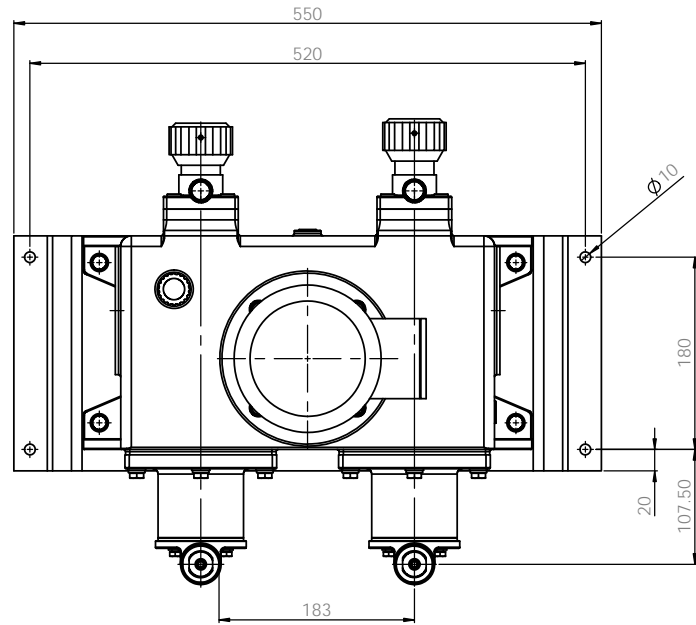
Note
 1. Model : GUMD200
 2. Material : PTFE
 3. Connection : Flange

PUMP ASSEMBLY-SPECIFIED DIMENSIONS ARE IN MILLIMETERS				SCALE AND BASIC SHARP ENDS		DO NOT SCALE DRAWING		REVISION	
DATE	BY	CHKD	APPV	DATE	BY	DATE	BY	DATE	BY
2020.12.10	W. PARK			2020.12.10					
2020.12.10	W. PARK			2020.12.10					
2020.12.10	S.C. KIM			2020.12.10					
MATERIAL				PTFE		DIM. NO.		AD1004E1006A	
SCALE 1:1				SHEET 1 OF 1					

E-WHA CHEMICAL FEEDER CO., LTD.

PUMP ASSEMBLY-DIM
 GUMD200TCF-KS 10K 15A FF

A1



Note
 1. Model : GUMD200
 2. Material : Stainless steel
 3. Connection : Hose

ALL DIMENSIONS SPECIFIED UNLESS OTHERWISE SPECIFIED DIMENSIONS ARE IN MILLIMETERS TOLERANCES: FINISH: ANGULAR		FINISH: BRASS AND BRASS SHARP ENDS	DO NOT SCALE DRAWING REVISION
DRAWN: W. PARK CHECK: W. PARK APPROV: S.C. KAP DATE: 2020.12.10 DATE: 2020.12.10 DATE: 2020.12.10	NAME: W. PARK DESIGNER: W. PARK DATE: 2020.12.10	MATERIAL: SUS304	E-WHA CHEMICAL FEEDER CO., LTD. PUMP ASSEMBLY-DIM GUMD200S4S4H-H05 A1
SCALE: 1:1		SHEET NO: AD1201E1005A	SHEET 1 OF 1

