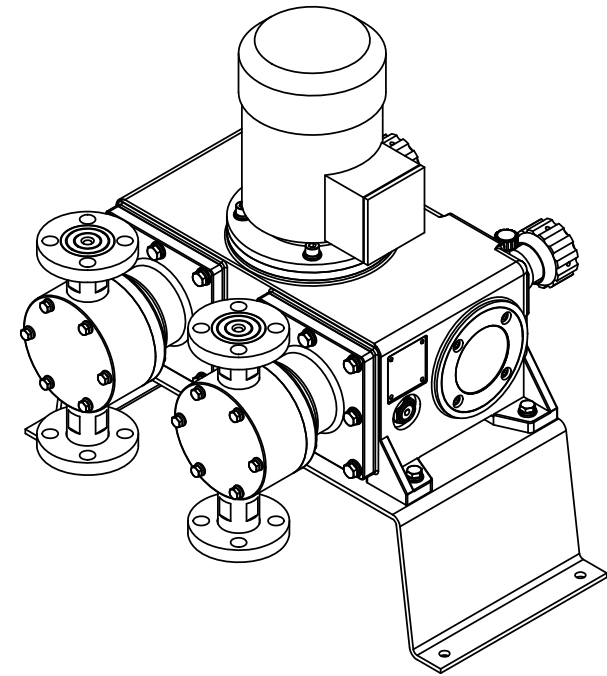
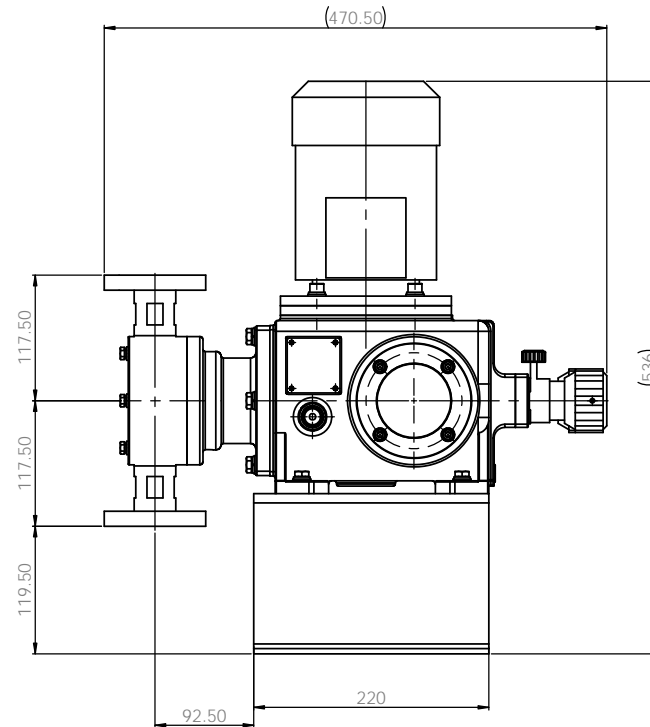
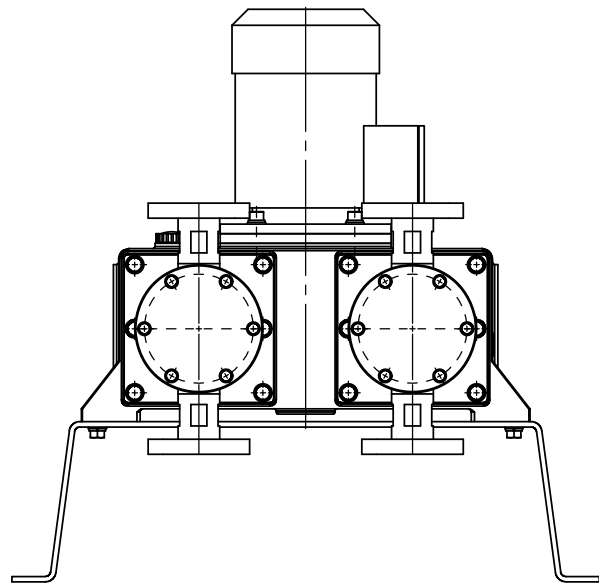
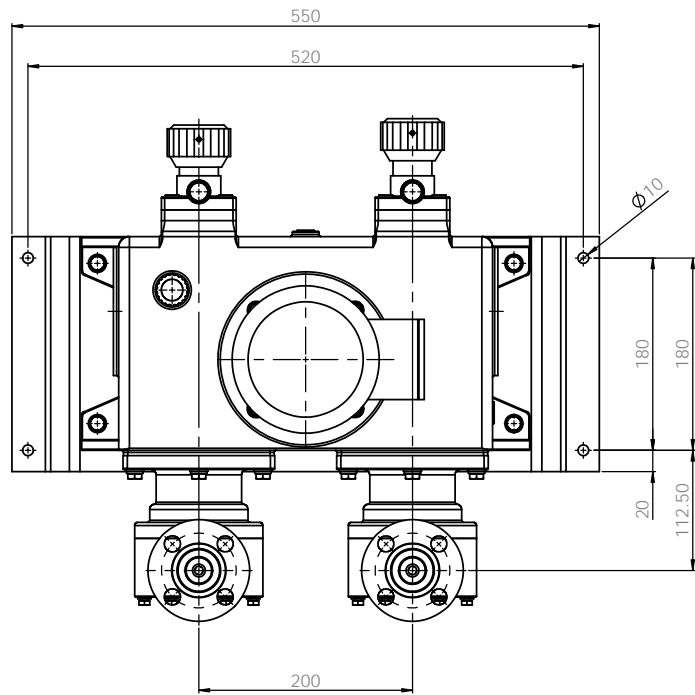


**Note**  
 1. Model : GUMD2000  
 2. Material : PP / PVdF  
 3. Connection : Hose

PUMP ASSEMBLY SPECIFIED DIMENSIONS ARE IN MILLIMETERS				SCALE AND BREAK SHARP EDGES		DO NOT SCALE DRAWING		REVISION	
DATE	BY	CHKD	APPD	DATE	BY	DATE	BY	DATE	BY
2010.12.10	W. PARK			2010.12.10					
2010.12.10	W. PARK			2010.12.10					
2010.12.10	S.C. KIM			2010.12.10					
D/A				MATERIAL		DWG. NO.		SHEET	
				PVC		AD1000E1012A		A1	
				REGR.		SCALE 1:1		SHEET 1 OF 1	

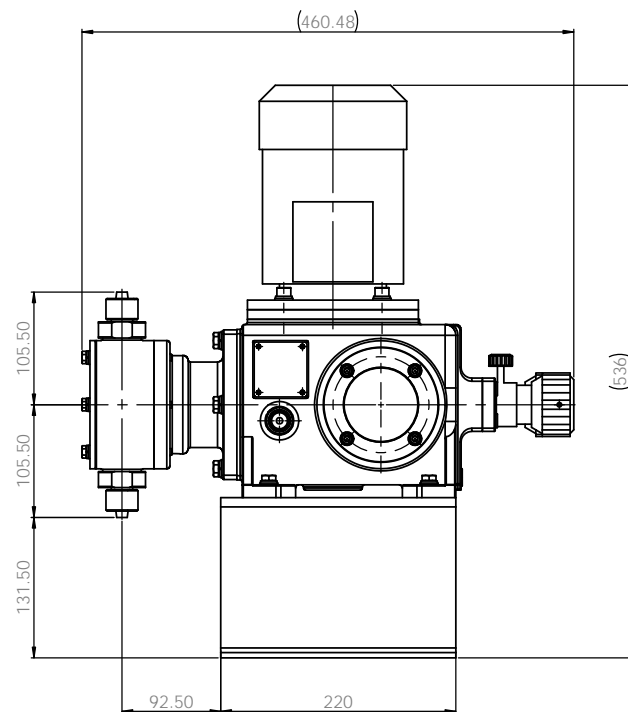
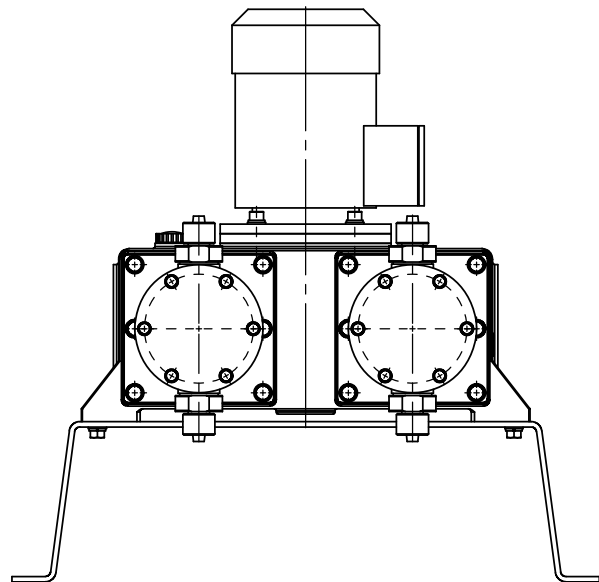
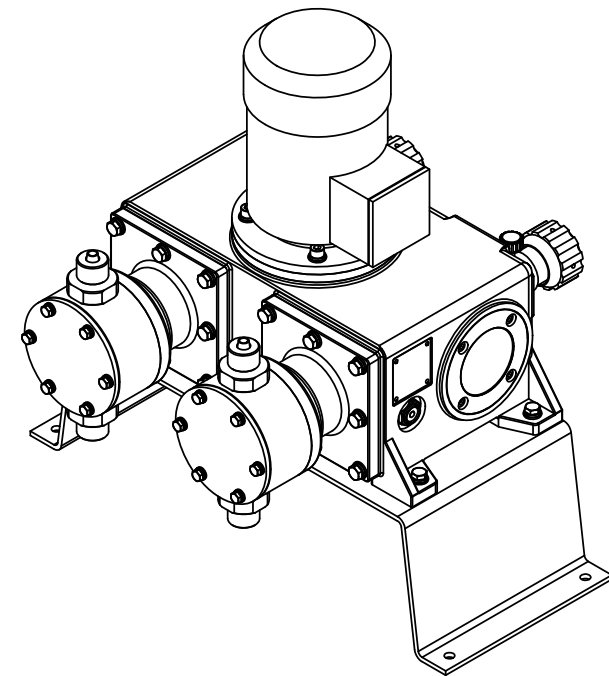
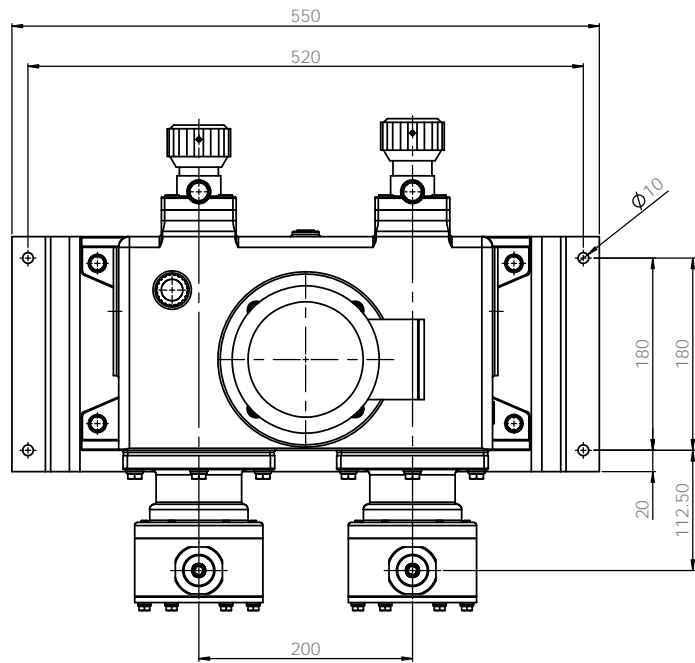
E-WHA CHEMICAL FEEDER CO., LTD.

PUMP ASSEMBLY-DIM  
 GUMD2000PCF-KS 10K 15A FF



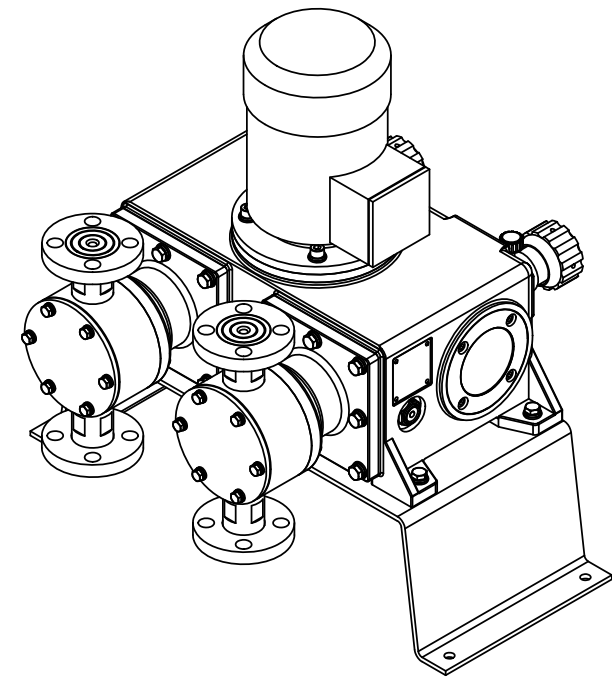
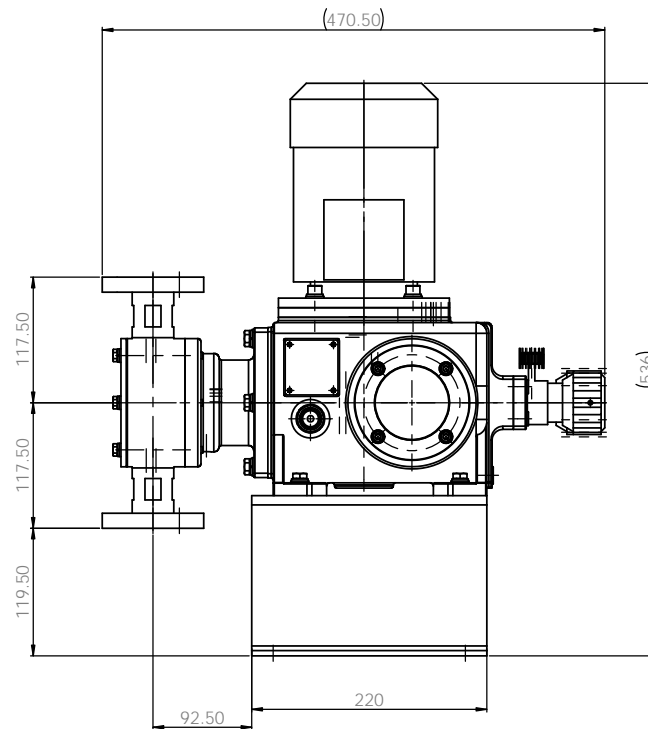
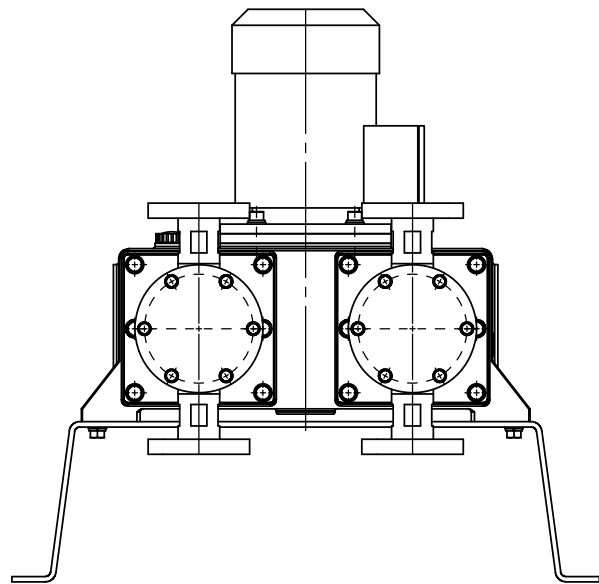
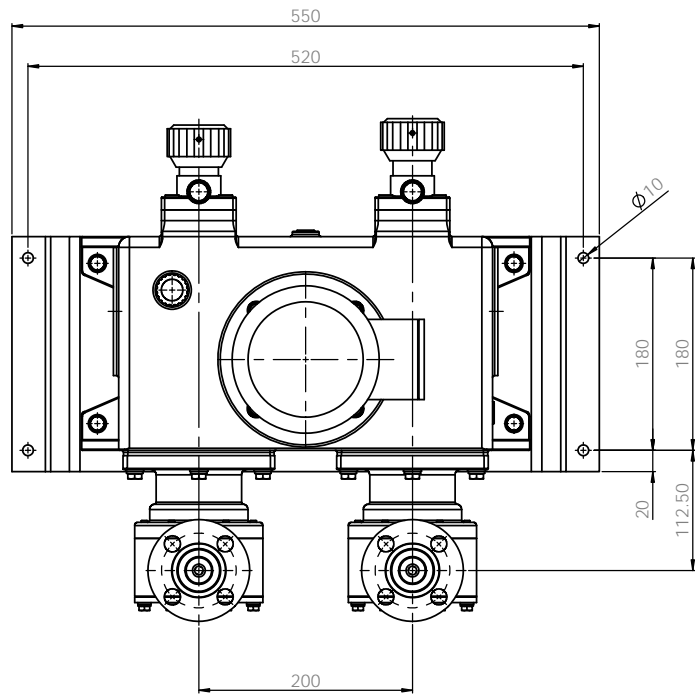
**Note**  
 1. Model : GUMD2000  
 2. Material : PP / PVdF  
 3. Connection : Flange

PUMP ASSEMBLY-SPECIFIED DIMENSIONS ARE IN MILLIMETERS				SCALE AND BREAK SHARP EDGES		DO NOT SCALE DRAWING		REVISION	
DATE	BY	CHKD	APP'D	DATE	BY	DATE	BY	DATE	BY
2020.12.10	W. PARK			2020.12.10					
2020.12.10	W. PARK			2020.12.10					
2020.12.10	S.C. KIM			2020.12.10					
MATERIAL: PVC				DRAWING NO: AD1000E1012A		SHEET 1 OF 1		E-WHA CHEMICAL FEEDER CO., LTD.	



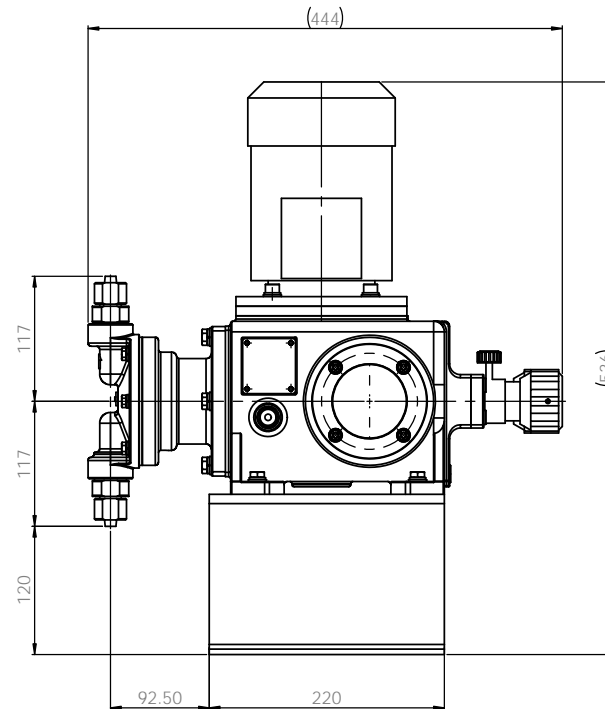
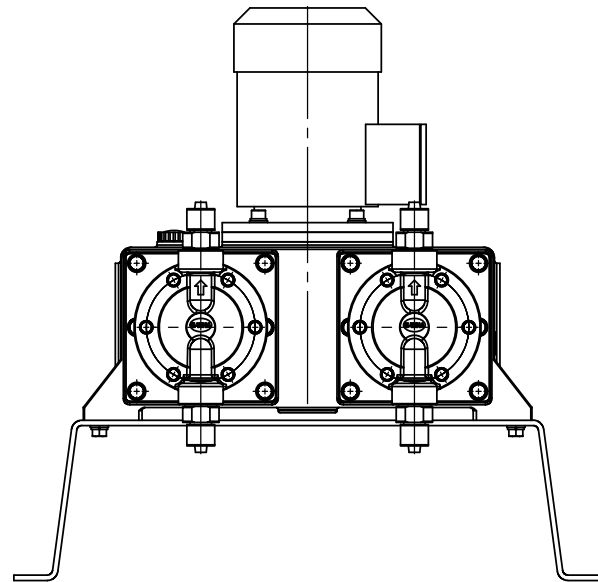
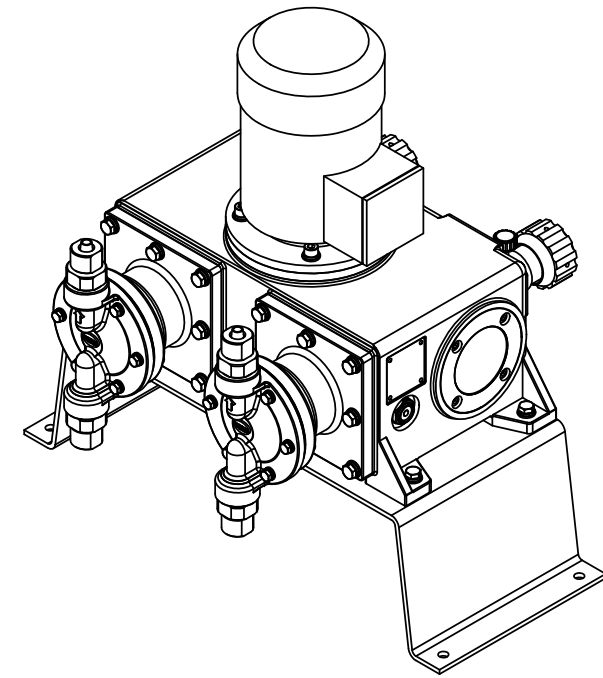
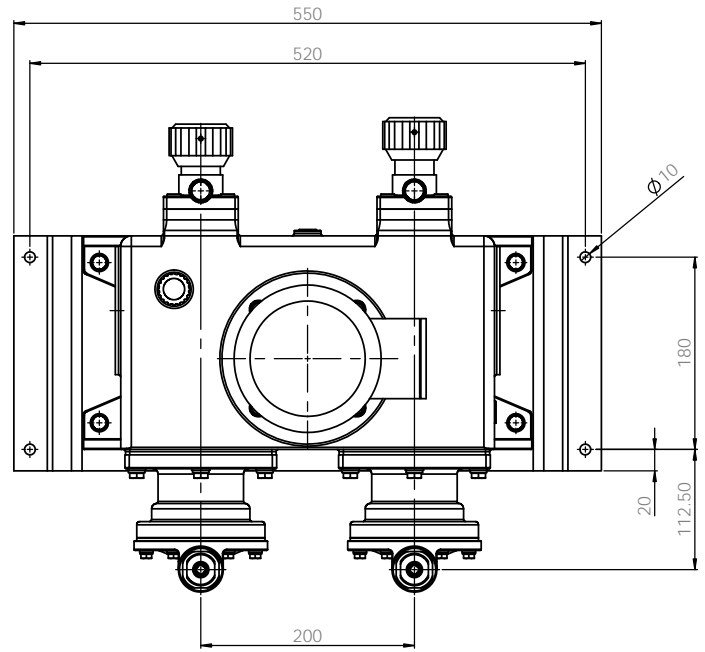
**Note**  
 1. Model : GUMD2000  
 2. Material : PTFE  
 3. Connection : Hose

ALL DIMENSIONS SPECIFIED UNLESS OTHERWISE SPECIFIED DIMENSIONS ARE IN MILLIMETERS UNLESS OTHERWISE SPECIFIED				SCALE AND BREAK SHARP EDGES		DO NOT SCALE DRAWING		REVISION
DRAWN: W. PARK				DATE: 2020.12.10			E-WHA CHEMICAL FEEDER CO., LTD.	
CHECKED: W. PARK				DATE: 2020.12.10			PUMP ASSEMBLY-DIM	
APPROVED: S.C. KIM				DATE: 2020.12.10			GUMD2000TCF-KS 10K 15A FF	
MATERIAL: PTFE				DRAWING NO: AD1004E1012A		SCALE: 1:1		A1
REVISION:								SHEET 1 OF 1



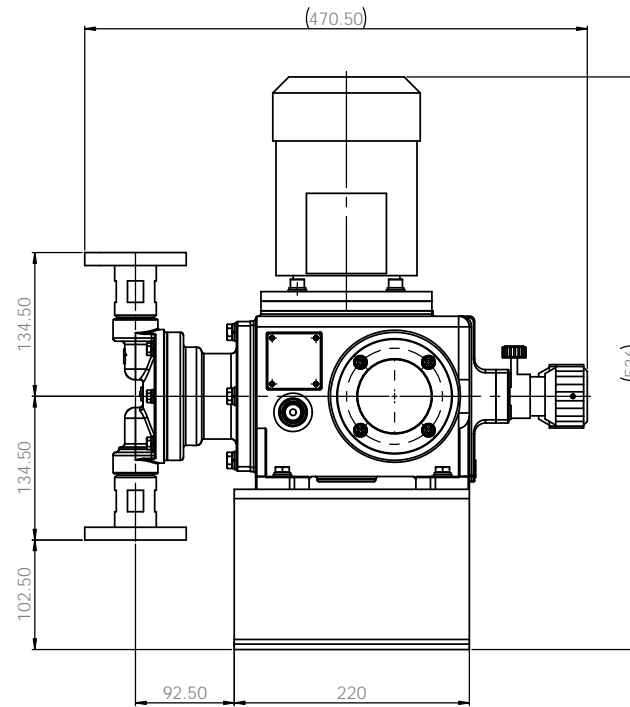
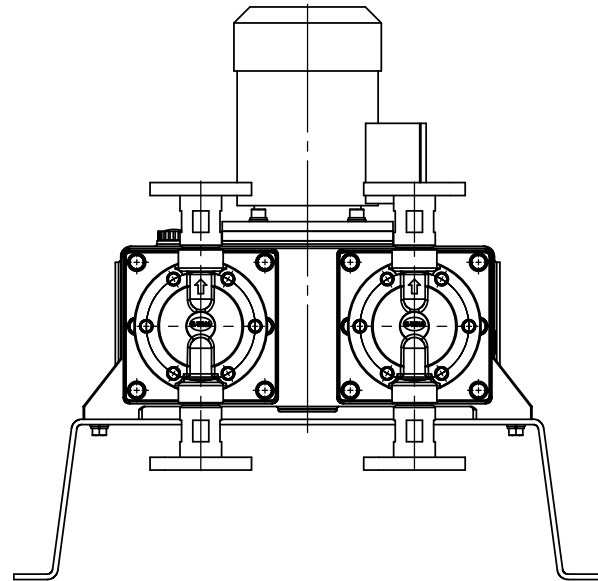
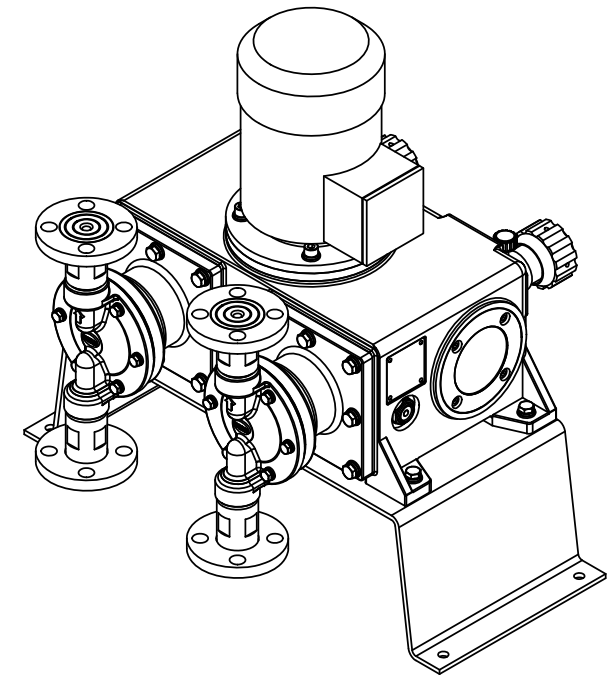
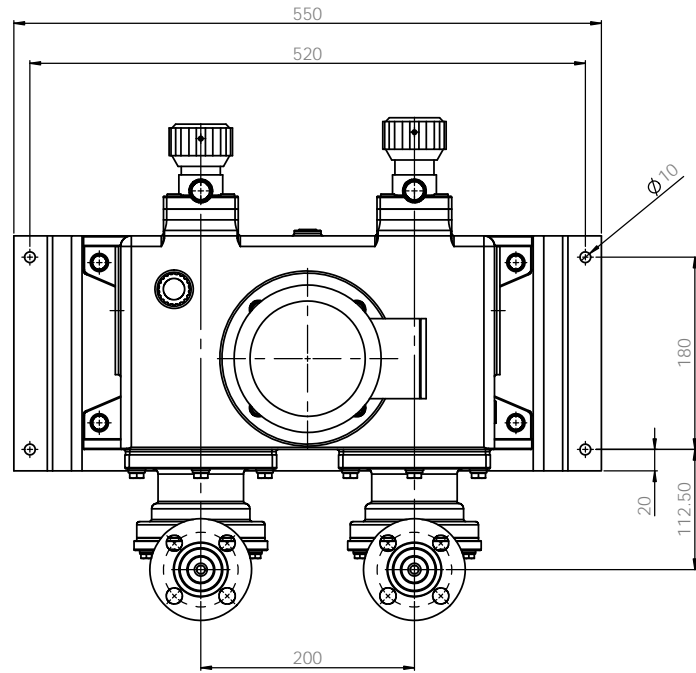
**Note**  
 1. Model : GUMD2000  
 2. Material : PTFE  
 3. Connection : Flange

PUMP ASSEMBLY-DIM				E-WHA CHEMICAL FEEDER CO., LTD.	
DATE	REV	BY	CHK	DATE	REV
2020.12.10				2020.12.10	
2020.12.10				2020.12.10	
2020.12.10				2020.12.10	
MATERIAL			PTFE		
SCALE			1:1		
SHEET NO.			AD1004E1012A		
SHEET TOTAL			A1		



**Note**  
 1. Model : GUMD2000  
 2. Material : Stainless steel  
 3. Connection : Hose

PUMP ASSEMBLY SPECIFIED				PUMP ASSEMBLY SPECIFIED				SCALE AND BREAK SHARP EDGE		DO NOT SCALE DRAWING		REVISION
DATE	BY	CHKD	APPV	DATE	BY	CHKD	APPV	DATE	BY	CHKD	APPV	NO.
				2020.12.10								1
				2020.12.10								2
				2020.12.10								3
												4
MATERIAL: SUS304								DRAWING NO: AD1201E1011A		SHEET 1 OF 1		



**Note**  
 1. Model : GUMD2000  
 2. Material : Stainless steel  
 3. Connection : Flange

PUMP ASSEMBLY-DIM		SCALE: 1:1		SHEET 1 OF 1	
DATE	BY	DATE	BY	DATE	BY
2020.12.10		2020.12.10		2020.12.10	
2020.12.10		2020.12.10		2020.12.10	
2020.12.10		2020.12.10		2020.12.10	
MATERIAL: SUS304		DWG NO: AD1201E1012A		A1	
E-WHA CHEMICAL FEEDER CO., LTD.					