

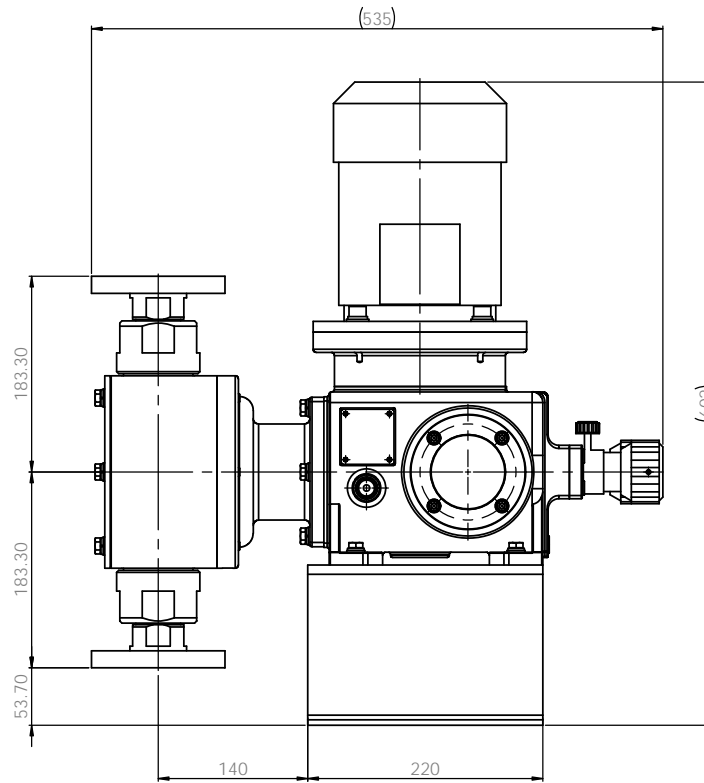
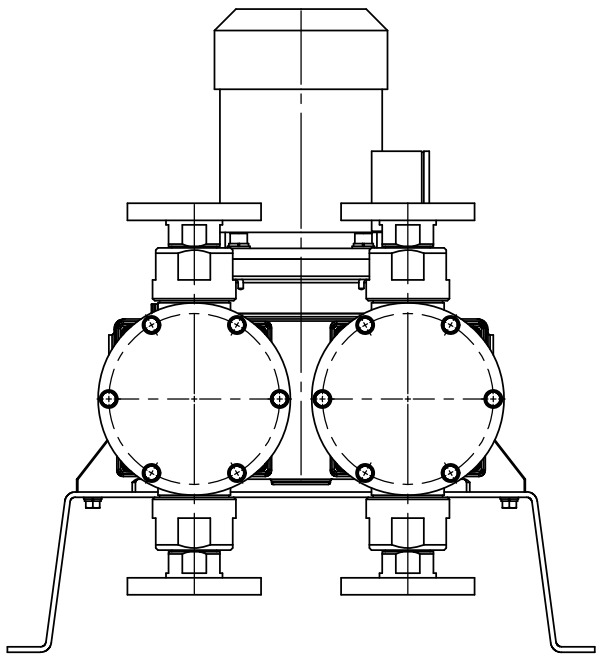
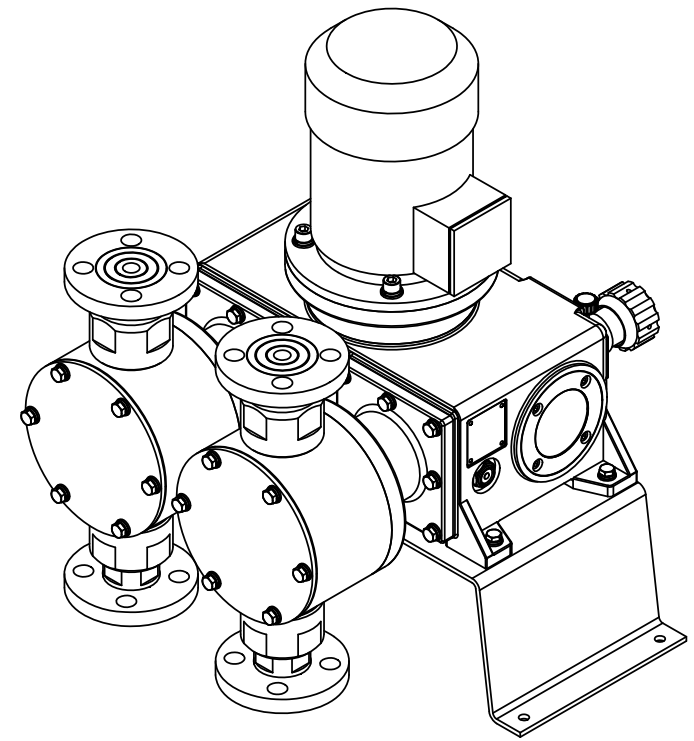
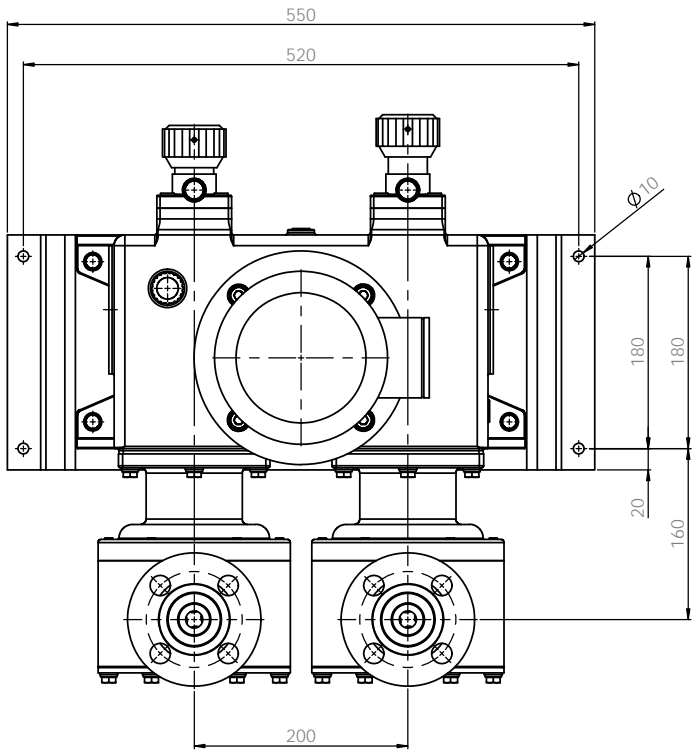
Note
 1. Model : GUMD20L
 2. Material : PP / PVdF
 3. Connection : Flange

ALL DIMENSIONS SPECIFIED UNLESS OTHERWISE SPECIFIED DIMENSIONS ARE IN MILLIMETERS TOLERANCES: FINISH: ANGULAR		FINISH: BEZEL GRASP POLISH	DO NOT SCALE DRAWING REVISION
DRAWN: W. PARK CHECK: W. PARK APPROV: S.C. KIM DATE: 2020.12.10 DATE: 2020.12.10 DATE: 2020.12.10	NAME: W. PARK DESIGNED: W. PARK DATE: 2020.12.10	MATERIAL: PVC	PART NO: AD1000E1026A SHEET 1 OF 1

E-WHA CHEMICAL FEEDER CO., LTD.

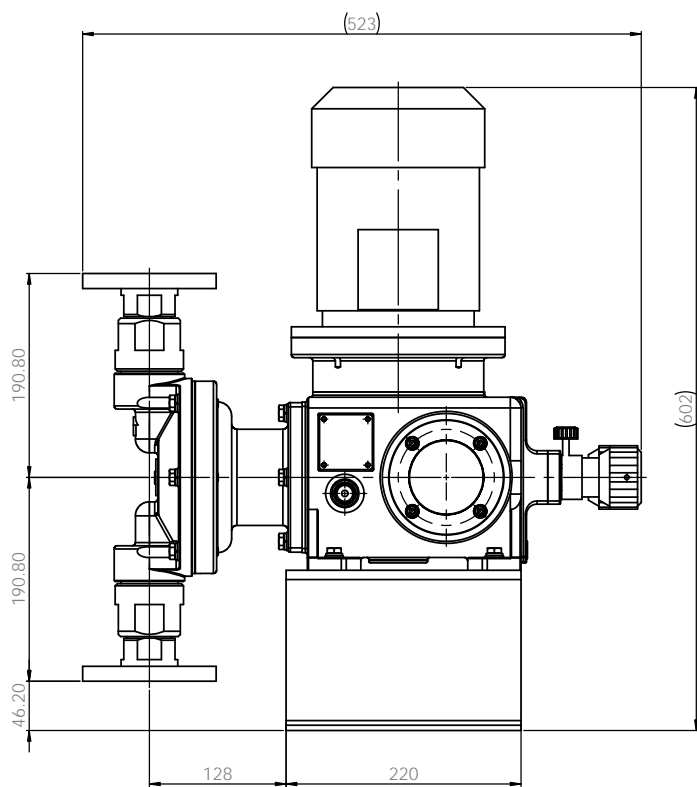
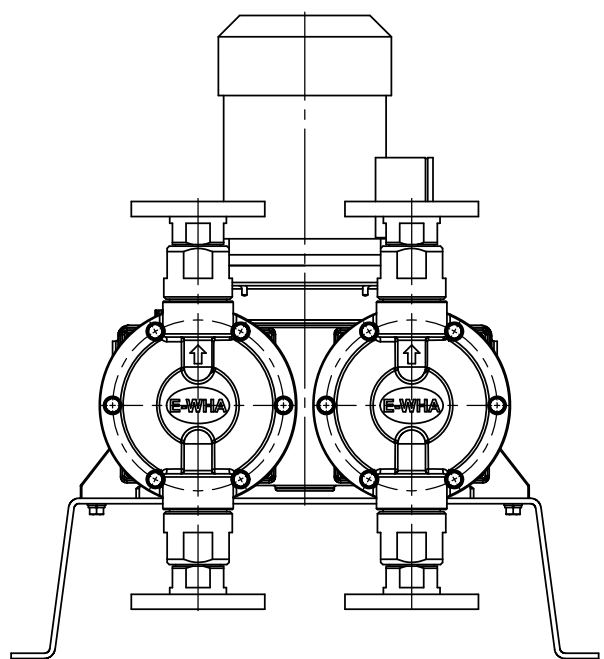
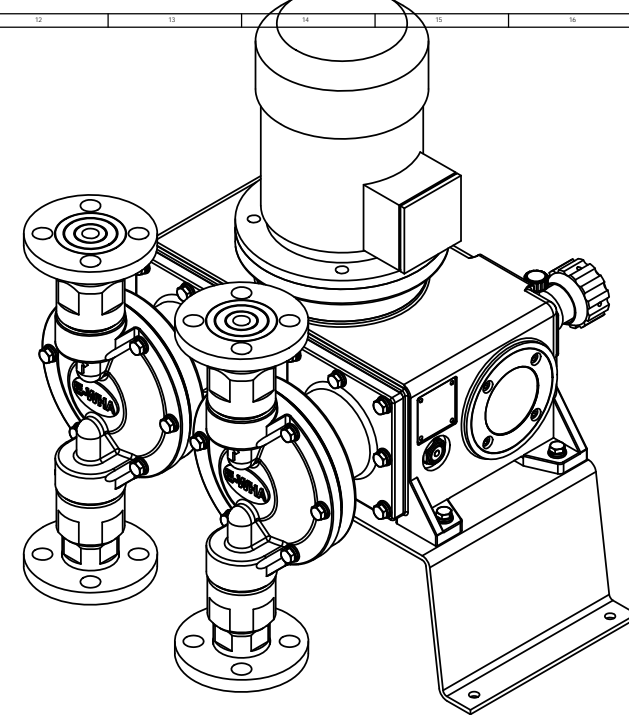
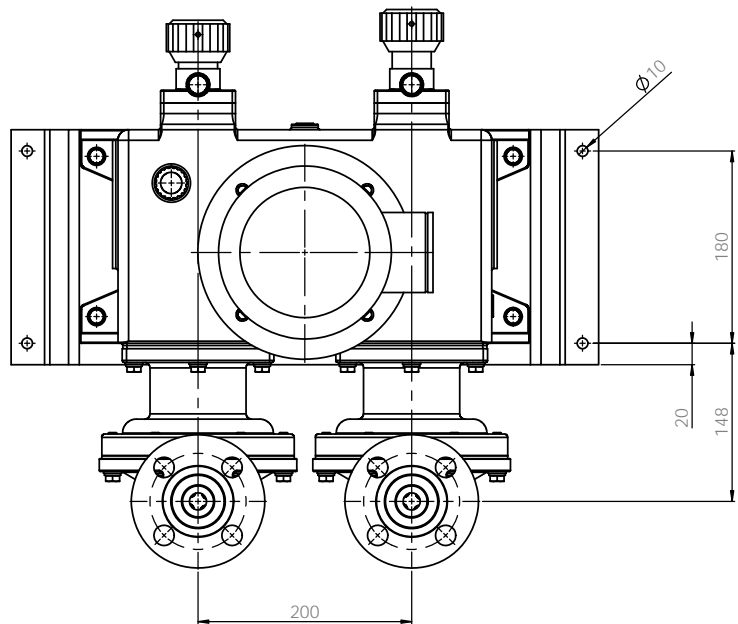
PUMP ASSEMBLY-DIM
 GUMD20LPCF-KS 10K 25A FF

SCALE: 1:1



Note
 1. Model : GUMD20L
 2. Material : PTFE
 3. Connection : Flange

ALL DIMENSIONS SPECIFIED UNLESS OTHERWISE SPECIFIED DIMENSIONS ARE IN MILLIMETERS UNLESS INDICATED TOLERANCES: FRACTIONS DECIMALS ANGLES		FINISH BRASS AND BRASS SHARP POLISH	DO NOT SCALE DRAWING REVISION
DRAWN: W. PARK CHECKED: W. PARK APPROVED: S.C. KIM DATE: 2010.12.10 DATE: 2010.12.10 DATE: 2010.12.10	TITLE PUMP ASSEMBLY-DIM GUMD20LTCF-KS 10K 25A FF	MATERIAL PTFE	PART NO. AD1004E1026A SCALE: 1:1 SHEET 1 OF 1



Note
 1. Model : GUMD20L
 2. Material : Stainless steel
 3. Connection : Flange

PUMP ASSEMBLY-DIM			E-WHA CHEMICAL FEEDER CO., LTD.	
GUMD20LS4S4F-KS 10K 20A FF			REVISION	
SCALE 1:1			SHEET 1 OF 1	
MATERIAL: SUS304		DWG NO: AD1201E1026B		A1
DESIGNER: W. PARK		DATE: 2010.12.10		
CHECKER: W. PARK		DATE: 2010.12.10		
APPROVED: S.C. KIM		DATE: 2010.12.10		
DRAFTER: S.C. KIM		DATE: 2010.12.10		
SCALE: 1:1		SHEET: 1 OF 1		