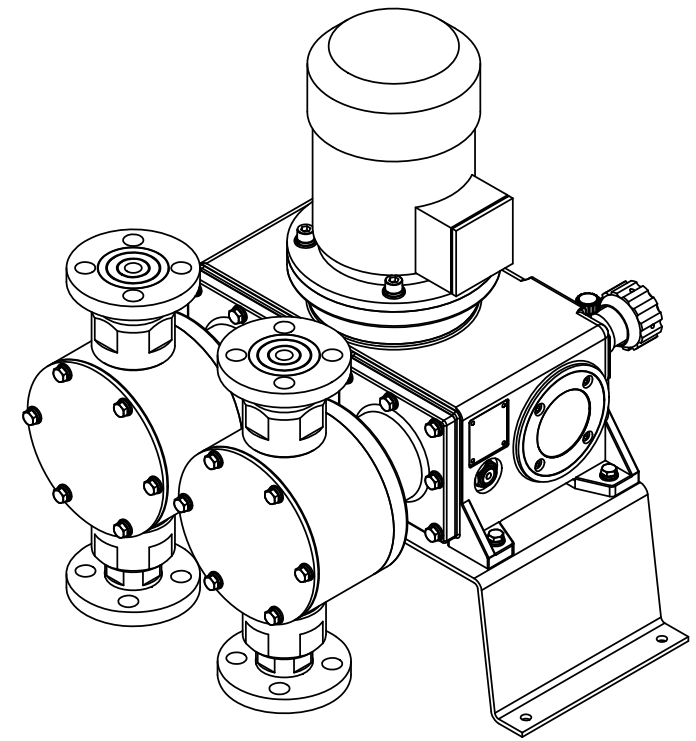
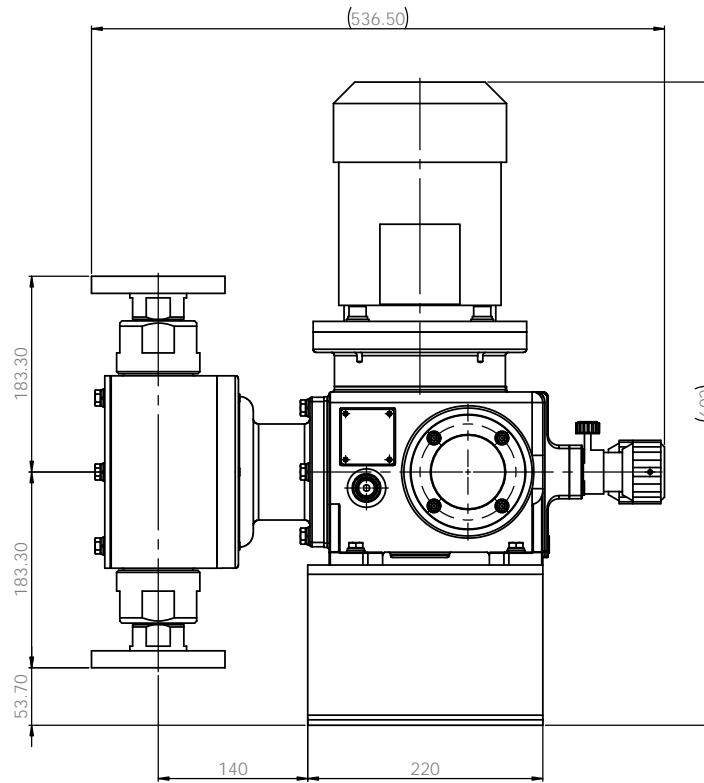
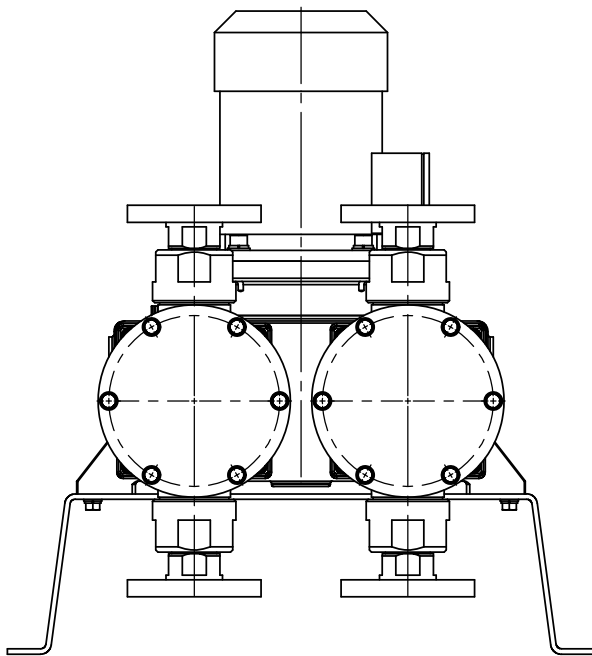
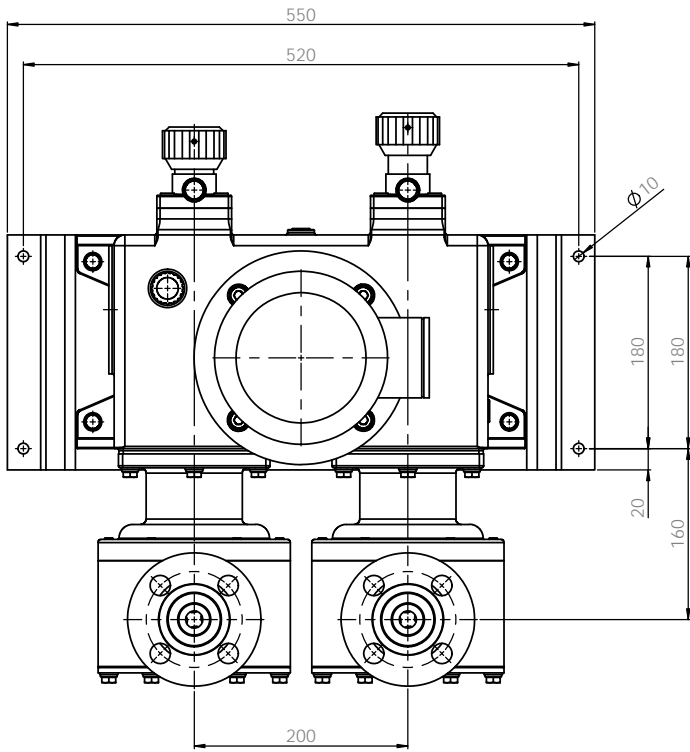


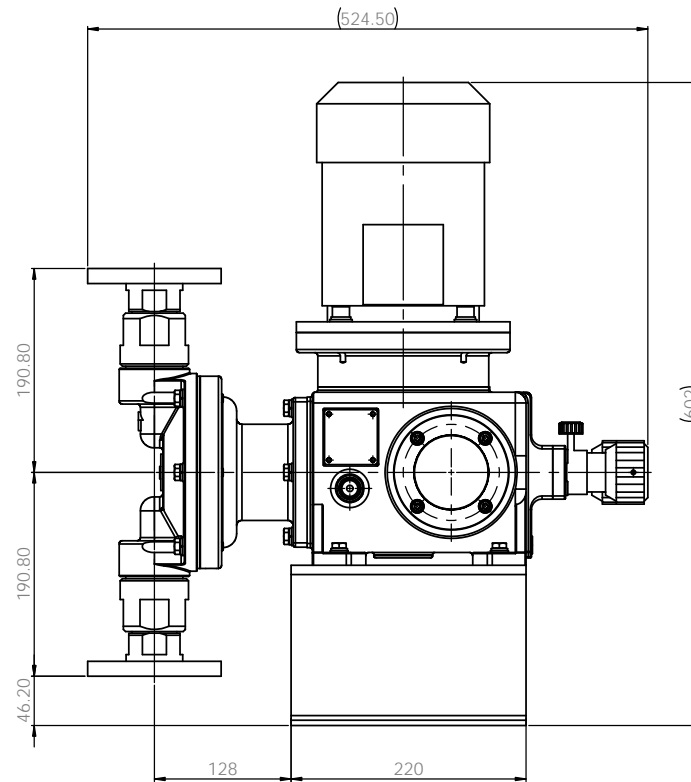
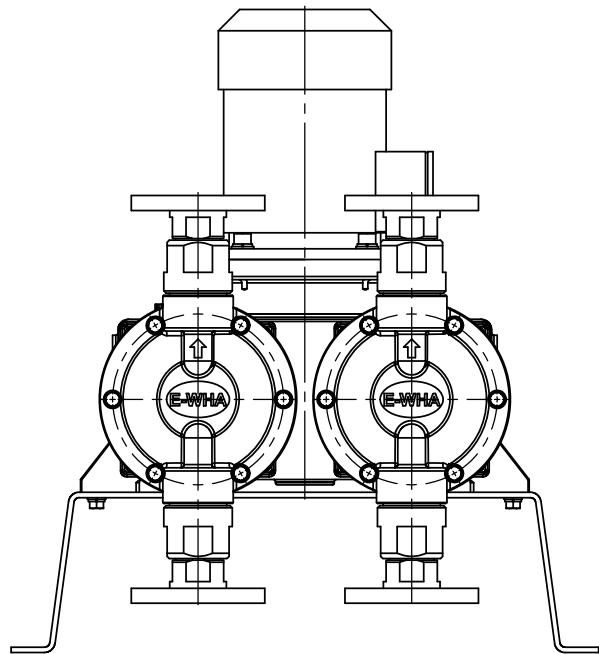
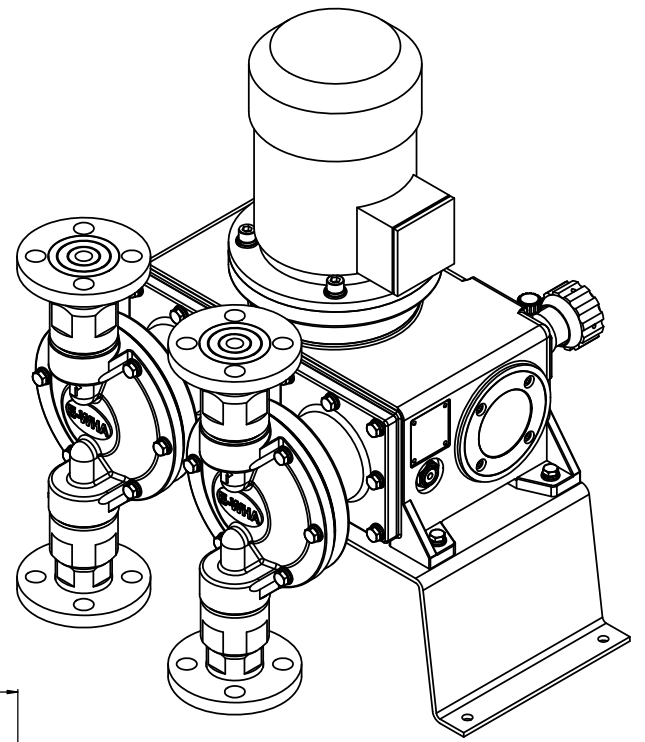
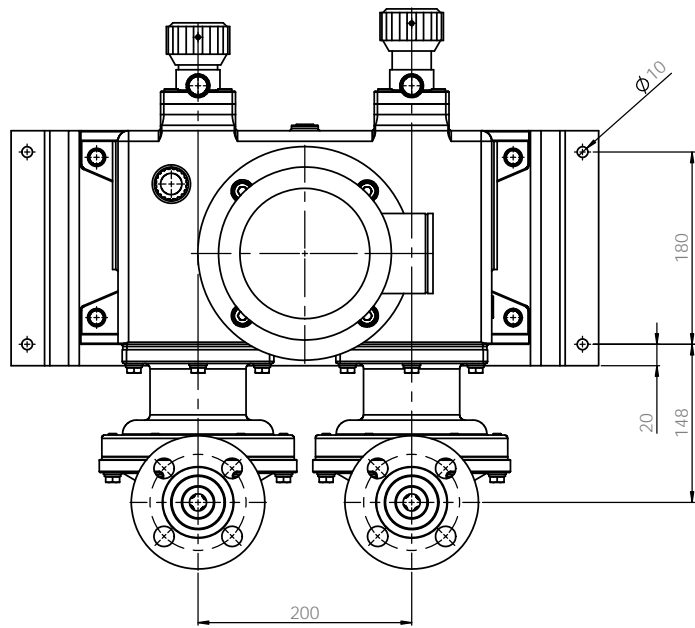
Note
 1. Model : GUMD28L
 2. Material : PP / PVdF
 3. Connection : Flange

ALL DIMENSIONS SPECIFIED UNLESS OTHERWISE SPECIFIED DIMENSIONS ARE IN MILLIMETERS TOLERANCES: FINISH: ANGULAR		FINISH: BEZEL GRASP POLISH	DO NOT SCALE DRAWING REVISION
DRAWN: W. PARK CHECK: W. PARK APPROV: S.C. KIM DATE: 2020.12.10 DATE: 2020.12.10 DATE: 2020.12.10	TITLE: PUMP ASSEMBLY-DIM GUMD28LPCF-KS 10K 25A FF	MATERIAL: PVC	SHEET NO: AD1000E1028A A1
SCALE: 1:1		SHEET 1 OF 1	



Note
 1. Model : GUMD28L
 2. Material : PTFE
 3. Connection : Flange

ALL DIMENSIONS SPECIFIED UNLESS OTHERWISE SPECIFIED DIMENSIONS ARE IN MILLIMETERS TOLERANCES: FINISH: ANGULAR				DIMENSIONS FINISH: ANGULAR	DO NOT SCALE DRAWING	REVISION
DRAWN: W. PARK CHECK: W. PARK APPROV: S.C. KIM DATE: 2010.12.10 DATE: 2010.12.10 DATE: 2010.12.10	MODEL: GUMD28L DATE: 2010.12.10	MATERIAL: PTFE	DIM. NO: AD1004E1028A	SHEET: 1 OF 1	E-WHA CHEMICAL FEEDER CO., LTD. PUMP ASSEMBLY-DIM GUMD28LTCF-KS 10K 25A FF	A1



Note
 1. Model : GUMD28L
 2. Material : Stainless steel
 3. Connection : Flange

PUMP ASSEMBLY-DIM				E-WHA CHEMICAL FEEDER CO., LTD.	
DATE	REV	BY	CHK	DATE	REV
2020.12.10				2020.12.10	
2020.12.10				2020.12.10	
2020.12.10				2020.12.10	
MATERIAL: SUS304			DRAWING NO: AD1201E1028B		
SCALE: 1:1			SHEET 1 OF 1		