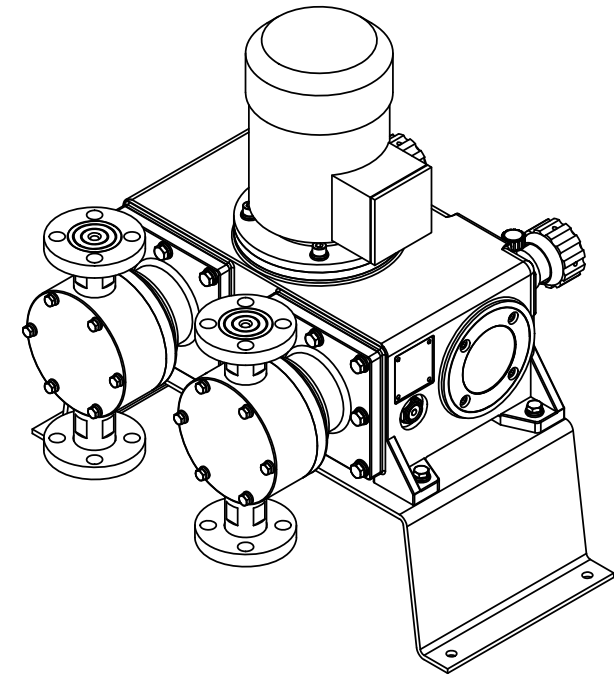
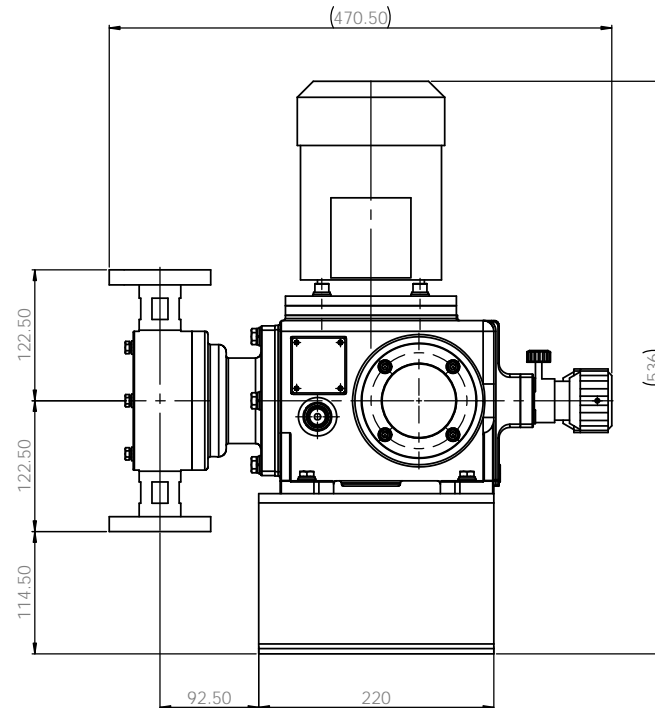
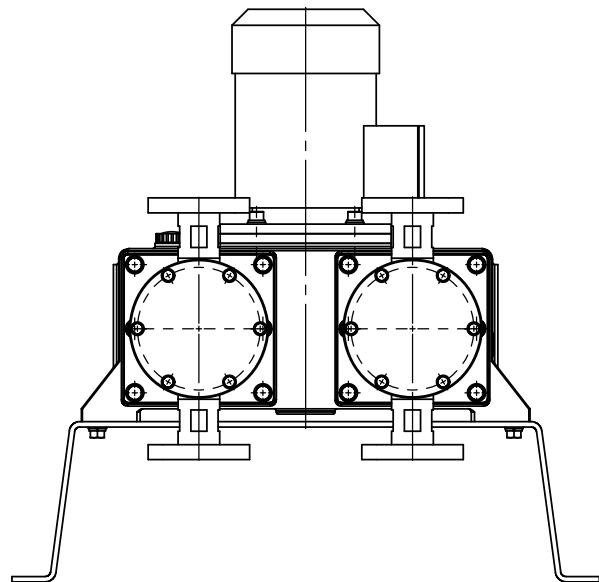
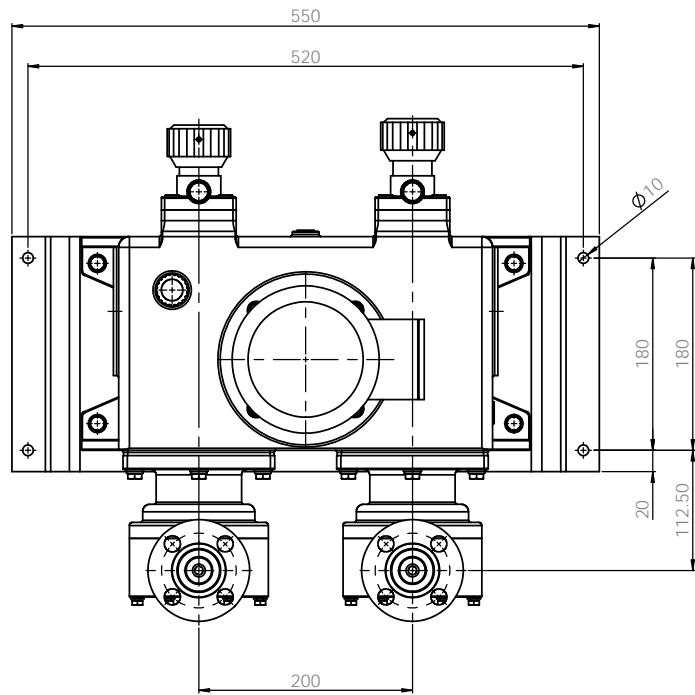


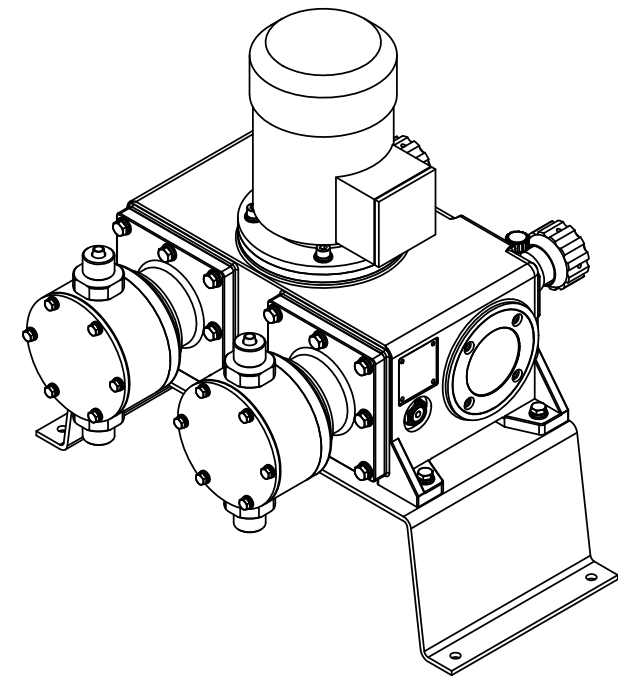
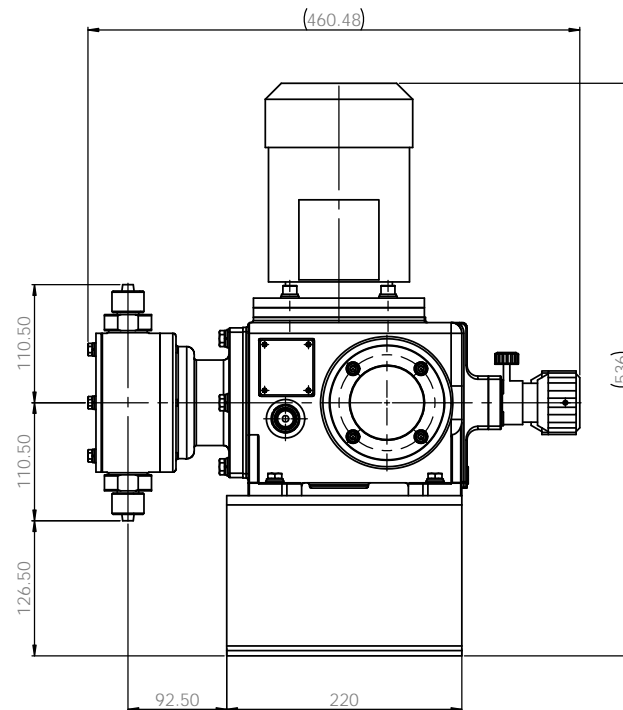
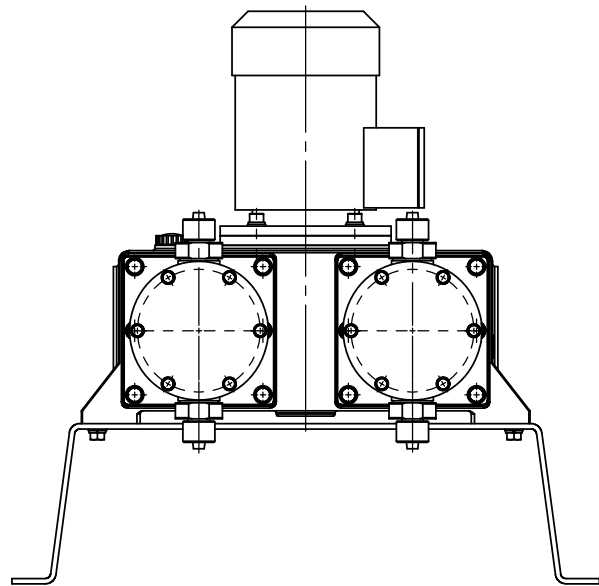
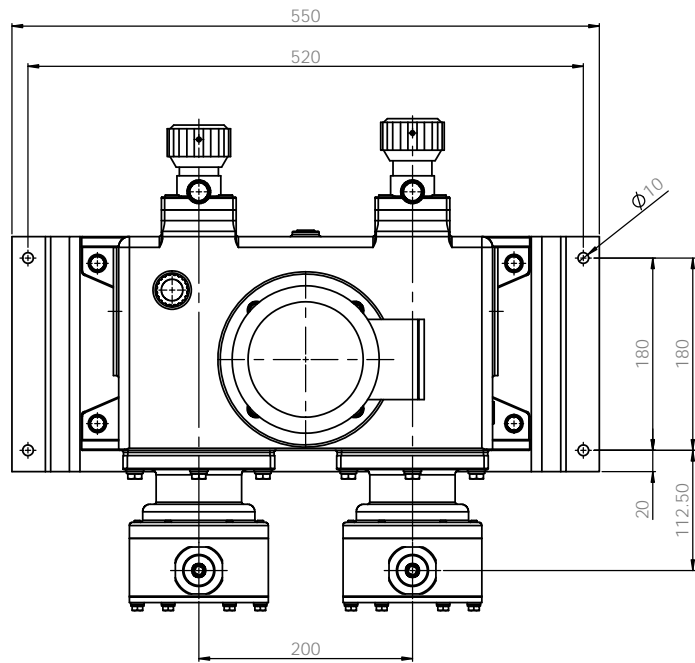
**Note**  
 1. Model : GUMD4000  
 2. Material : PP / PVdF  
 3. Connection : Hose

PUMP ASSEMBLY SPECIFIED DIMENSIONS ARE IN MILLIMETERS UNLESS OTHERWISE SPECIFIED		FINISH		SCALE AND BREAK SHARP EDGES		DO NOT SCALE DRAWING		REVISION	
DATE	BY	DATE	BY	DATE	BY	DATE	BY	DATE	BY
2020.12.10	W. PARK	2020.12.10	W. PARK	2020.12.10	S.C. KIM				
2020.12.10	W. PARK	2020.12.10	W. PARK	2020.12.10	S.C. KIM				
2020.12.10	S.C. KIM	2020.12.10	S.C. KIM	2020.12.10	S.C. KIM				
2020.12.10	S.C. KIM	2020.12.10	S.C. KIM	2020.12.10	S.C. KIM				
MATERIAL		PVC		SPEC. NO.		AD1000E1013A		A1	
SCALE 1:1		SHEET 1 OF 1		E-WHA CHEMICAL FEEDER CO., LTD.		PUMP ASSEMBLY-DIM		GUMD4000PCH-H10	



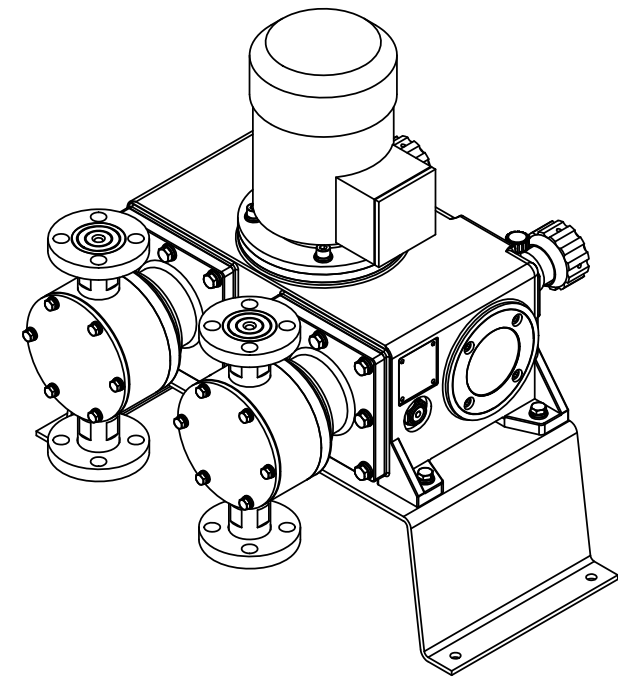
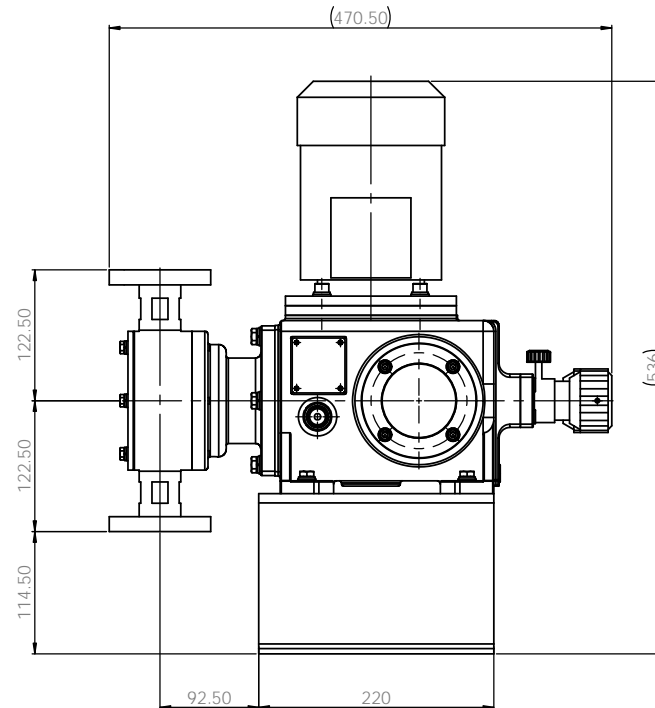
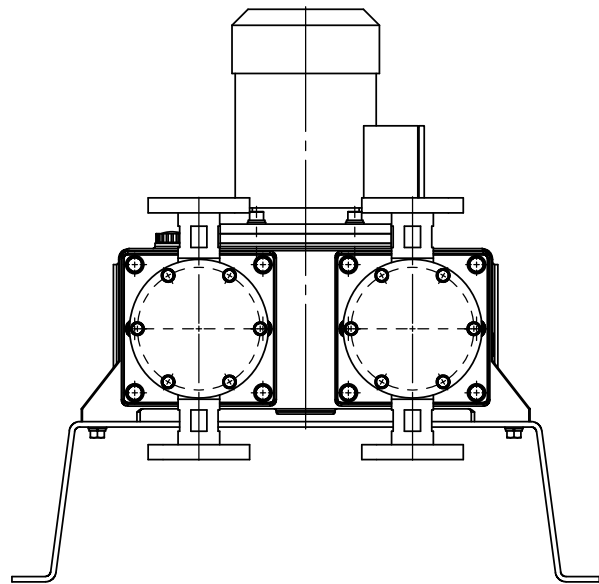
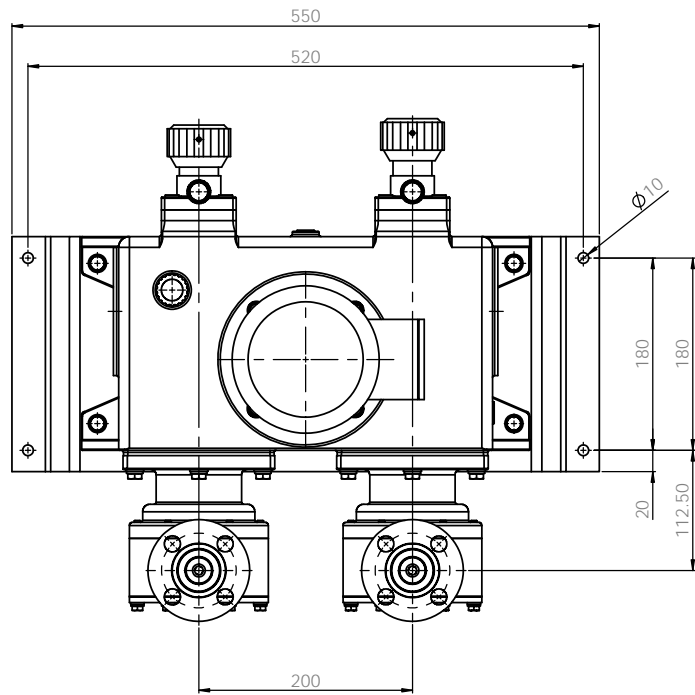
**Note**  
 1. Model : GUMD4000  
 2. Material : PP / PVdF  
 3. Connection : Flange

PUMP ASSEMBLY-SPECIFIED DIMENSIONS ARE IN MILLIMETERS				SCALE AND BREAK SHARP EDGES		DO NOT SCALE DRAWING		REVISION	
DATE	BY	CHKD	APPVD	DATE	BY	DATE	BY	DATE	BY
2020.12.10	W. PARK	W. PARK	S.C. KIM	2020.12.10					
DRAWN : W. PARK				DESIGNED : W. PARK		CHECKED : W. PARK		APPROVED : S.C. KIM	
DATE : 2020.12.10				DATE : 2020.12.10		DATE : 2020.12.10		DATE : 2020.12.10	
BY : W. PARK				BY : W. PARK		BY : S.C. KIM		BY : S.C. KIM	
MATERIAL : PVC				DIMENSION : AD1000E1014A		SCALE : 1:1		SHEET : 1 OF 1	
E-WHA CHEMICAL FEEDER CO., LTD.				PUMP ASSEMBLY-DIM		GUMD4000PCF-KS 10K 15A FF		A1	



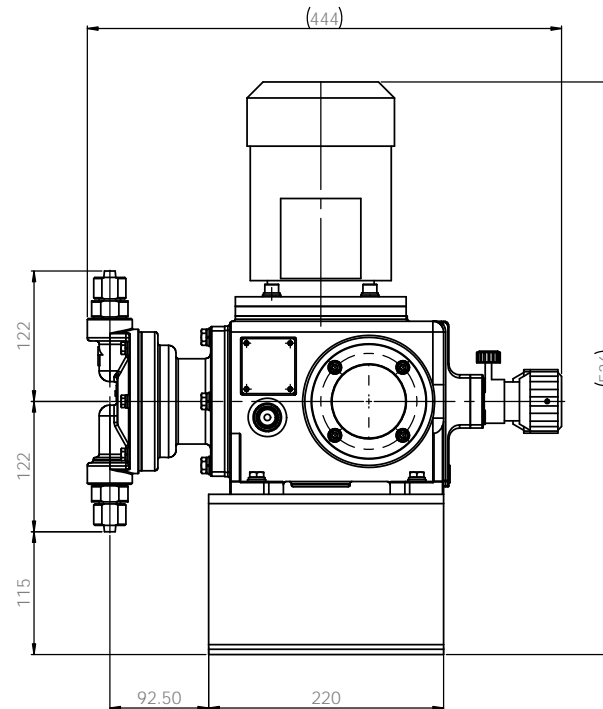
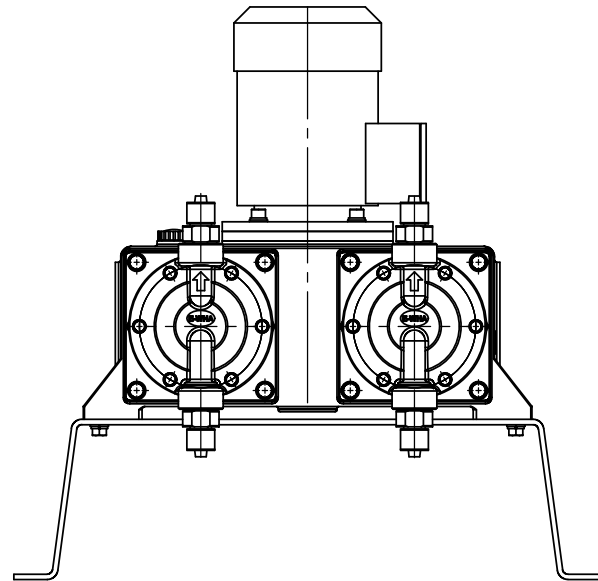
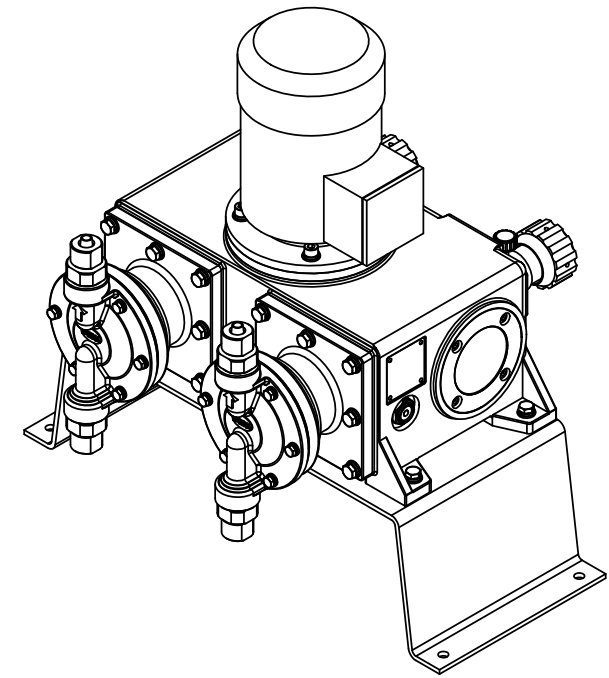
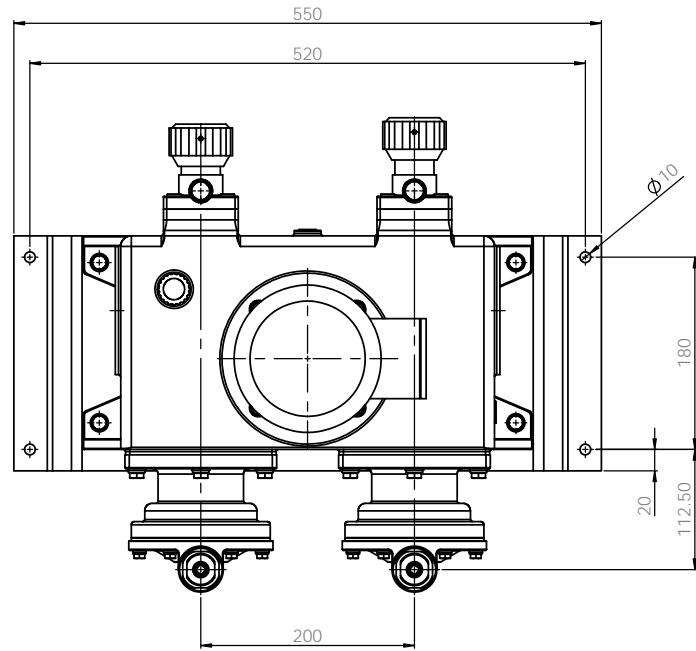
**Note**  
 1. Model : GUMD4000  
 2. Material : PTFE  
 3. Connection : Hose

ALL DIMENSIONS SPECIFIED UNLESS OTHERWISE SPECIFIED DIMENSIONS ARE IN MILLIMETERS TOLERANCES: FINISH: ANGULAR				FINISH: BRASS GRAB POLISH	DO NOT SCALE DRAWING REVISION
DRAWN: W. PARK CHECK: W. PARK APPROV: S.C. KIM DATE: 2010.12.10 DATE: 2010.12.10 DATE: 2010.12.10	MODEL: GUMD4000 DATE: 2010.12.10	TITLE: PUMP ASSEMBLY-DIM GUMD4000TCH-H10	MATERIAL: PTFE	DWG NO: AD1004E1013A	SHEET 1 OF 1



**Note**  
 1. Model : GUMD4000  
 2. Material : PTFE  
 3. Connection : Flange

PUMP ASSEMBLY-DIM		E-WHA CHEMICAL FEEDER CO., LTD.	
GUMD4000TCF-KS 10K 15A FF		PTFE	
AD1004E1014A		A1	



**Note**  
 1. Model : GUMD4000  
 2. Material : Stainless steel  
 3. Connection : Hose

PUMP ASSEMBLY-SPECIFIED				FINISH		TOLERANCE AND BREAK SHARP EDGES		DO NOT SCALE DRAWING		REVISION	
DIMENSIONS ARE IN MILLIMETERS				UNLESS OTHERWISE SPECIFIED		UNLESS OTHERWISE SPECIFIED					
UNLESS OTHERWISE SPECIFIED				UNLESS OTHERWISE SPECIFIED		UNLESS OTHERWISE SPECIFIED					
UNLESS OTHERWISE SPECIFIED				UNLESS OTHERWISE SPECIFIED		UNLESS OTHERWISE SPECIFIED					
DATE	DATE	DATE	DATE	DATE	DATE	DATE	DATE	DATE	DATE	DATE	DATE
DESIGNER	W. PARK	2010.12.10									
CHECKER	W. PARK	2010.12.10									
APPROVED	S.C. KIM	2010.12.10									
DATE											
MATERIAL				SUS304		DRAWING NO.		AD1201E1013A		A1	
SCALE				1:1		SHEET		1 OF 1			

