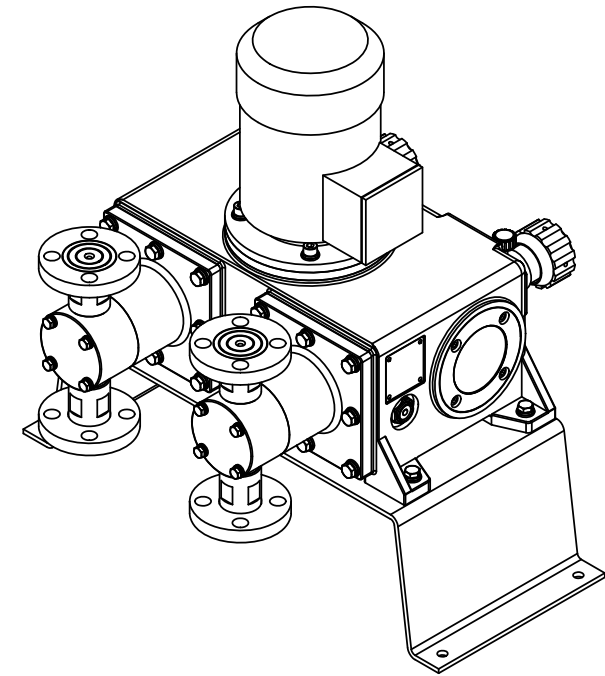
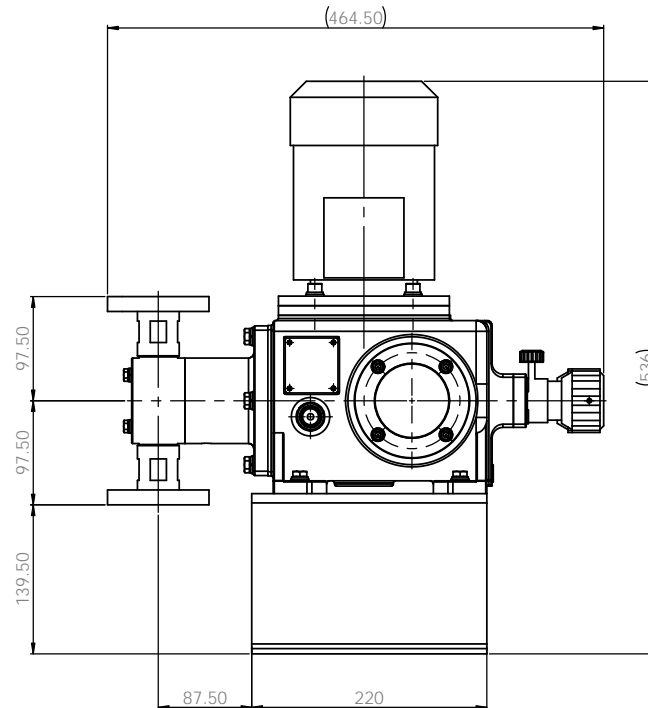
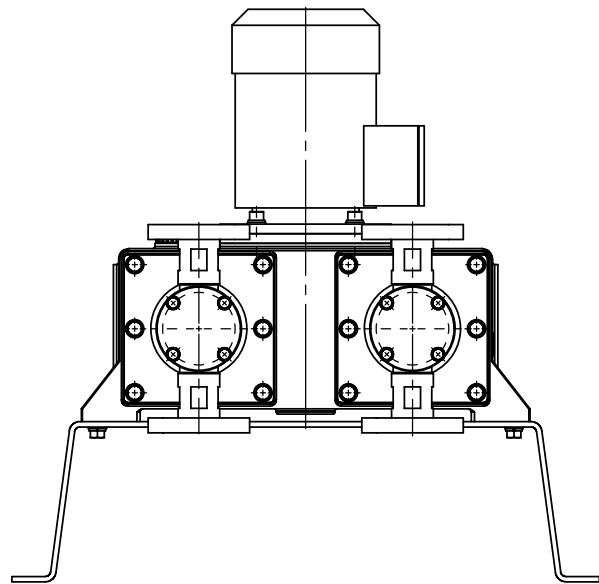
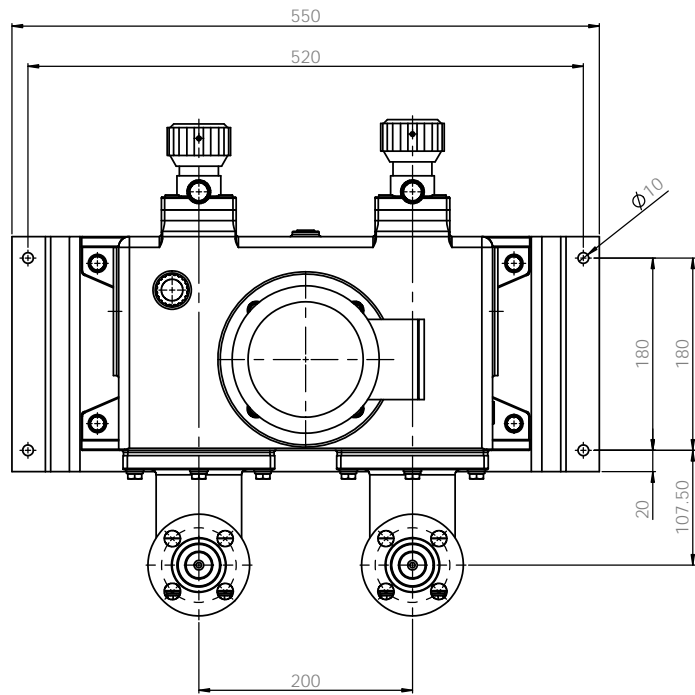


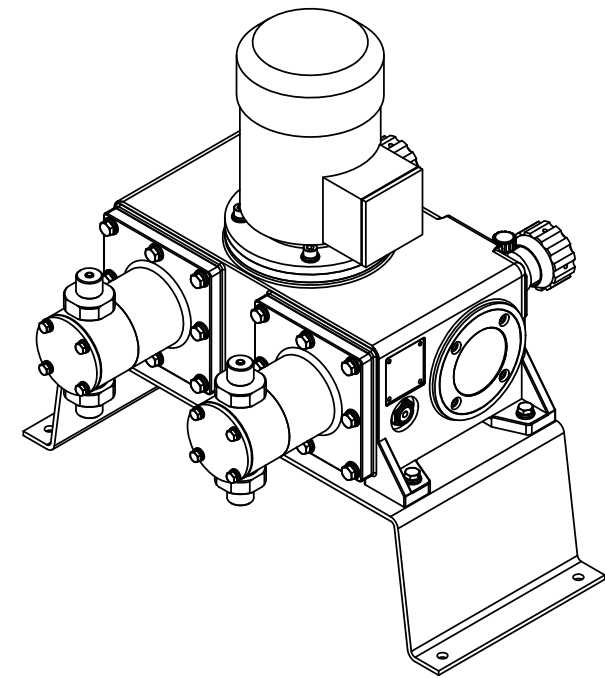
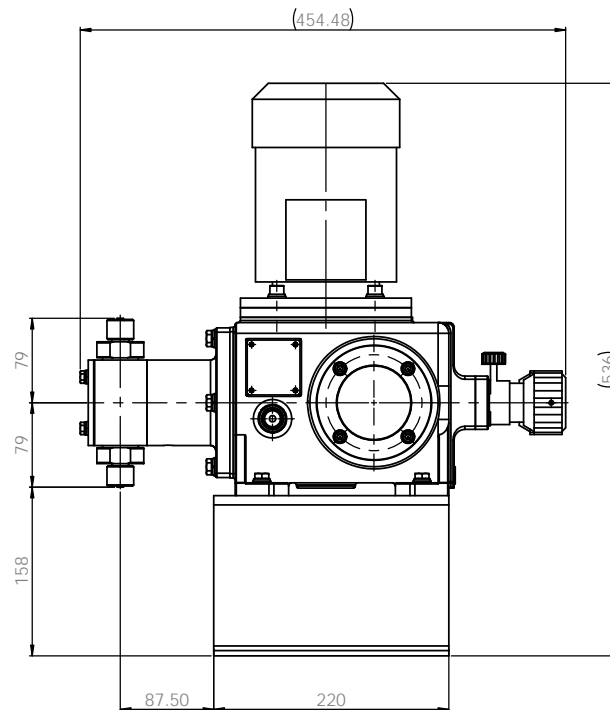
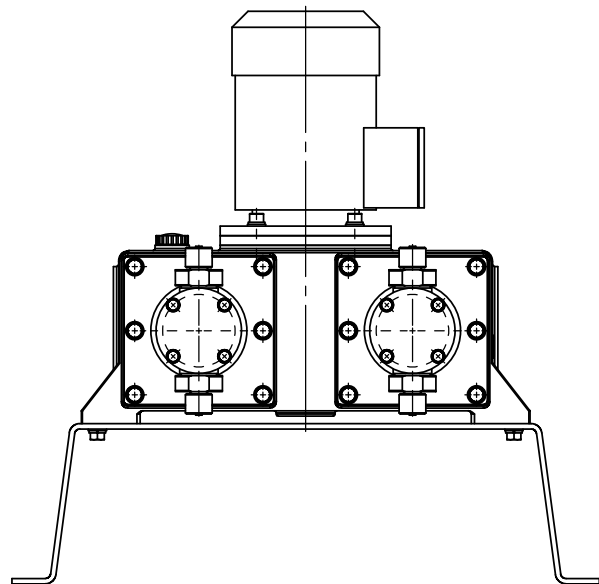
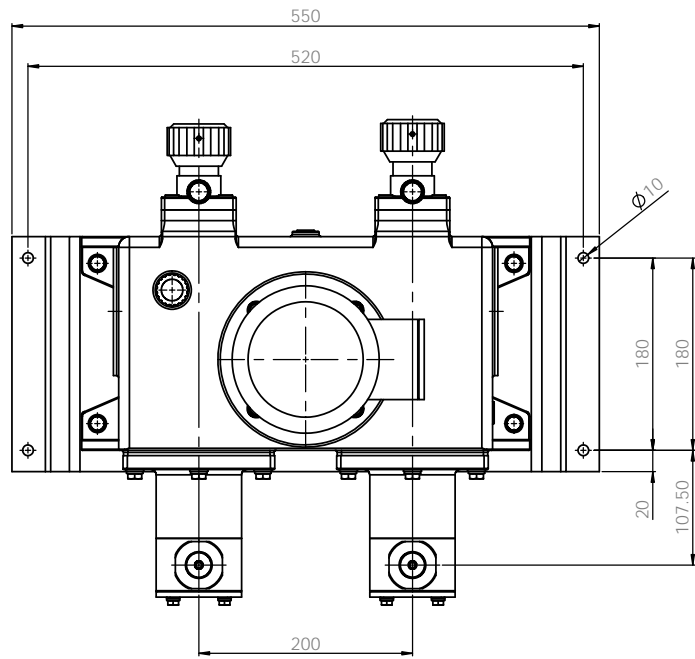
Note
 1. Model : GUMD50
 2. Material : PP / PVdF
 3. Connection : Hose

PUMP ASSEMBLY-DIM				E-WHA CHEMICAL FEEDER CO., LTD.	
DATE	REV	BY	CHK	SCALE	SHEET
2023.12.10	01	W. PARK		1:1	1 OF 1
2023.12.10	02	W. PARK			
2023.12.10	03	S.C. KIM			
2023.12.10	04	W. PARK			
MATERIAL			PVC		
DRAWING NO.			AD1000E1001A		
SCALE			1:1		



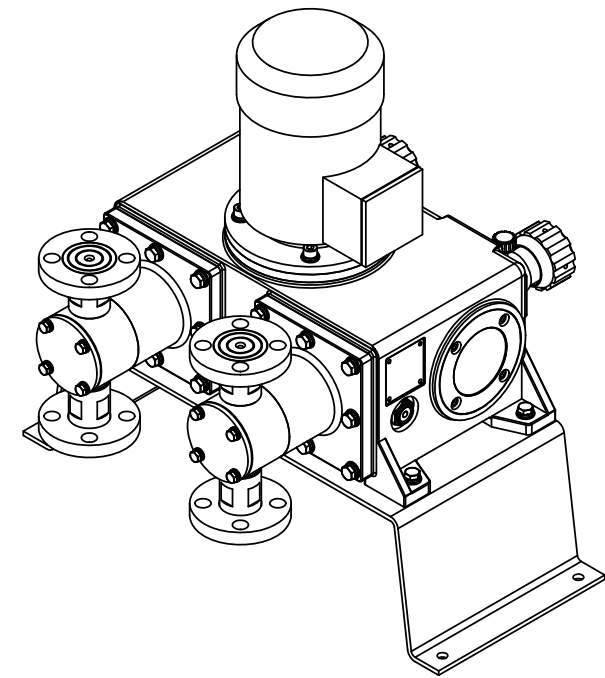
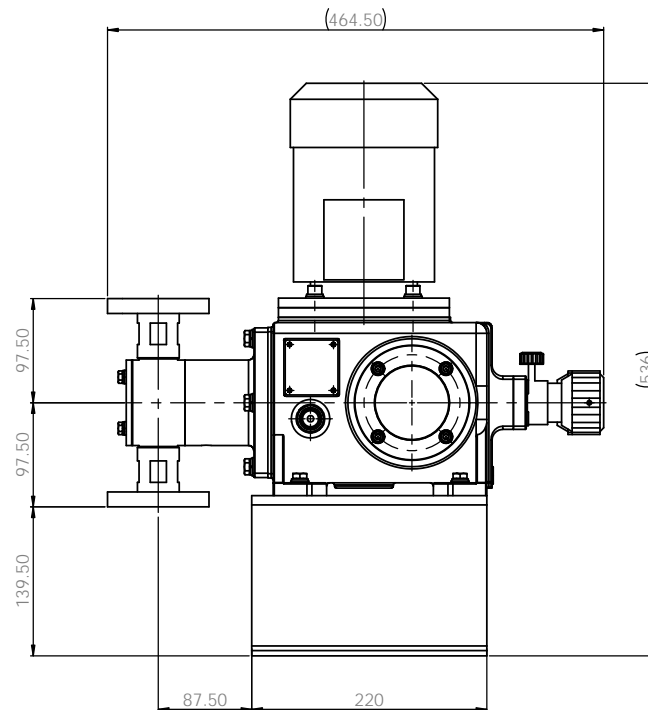
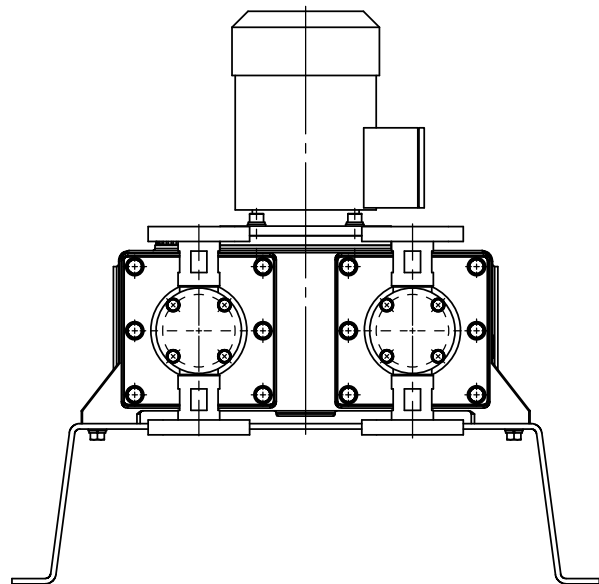
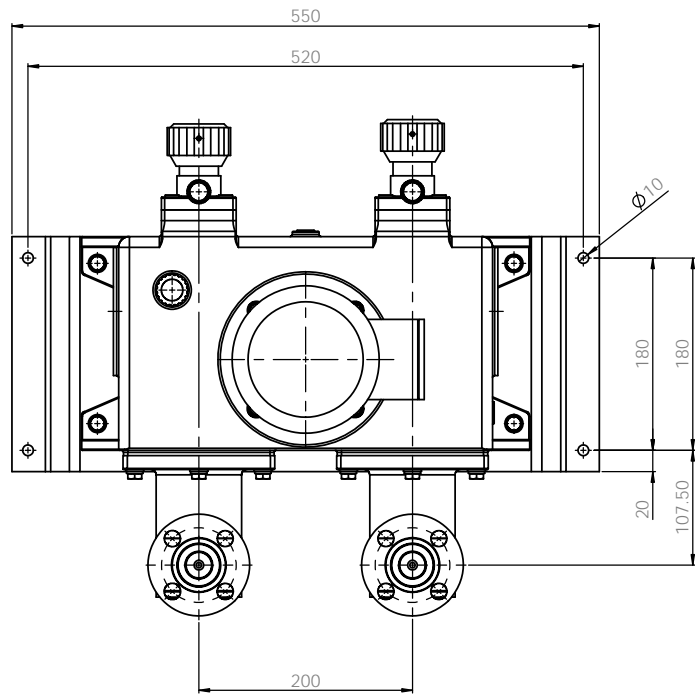
Note
 1. Model : GUMD50
 2. Material : PP / PVdF
 3. Connection : Flange

PUMP ASSEMBLY-DIM		SCALE AND BLOCK SHARP EDGE		DO NOT SCALE DRAWING		REVISION	
E-WHA CHEMICAL FEEDER CO., LTD.							
DATE	BY	DATE	BY	DATE	BY	DATE	BY
2023.12.10		2023.12.10		2023.12.10		2023.12.10	
2023.12.10		2023.12.10		2023.12.10		2023.12.10	
2023.12.10		2023.12.10		2023.12.10		2023.12.10	
MATERIAL		PVC		DIM. NO.		AD1000E1002A	
SCALE 1:1				SHEET 1 OF 1			



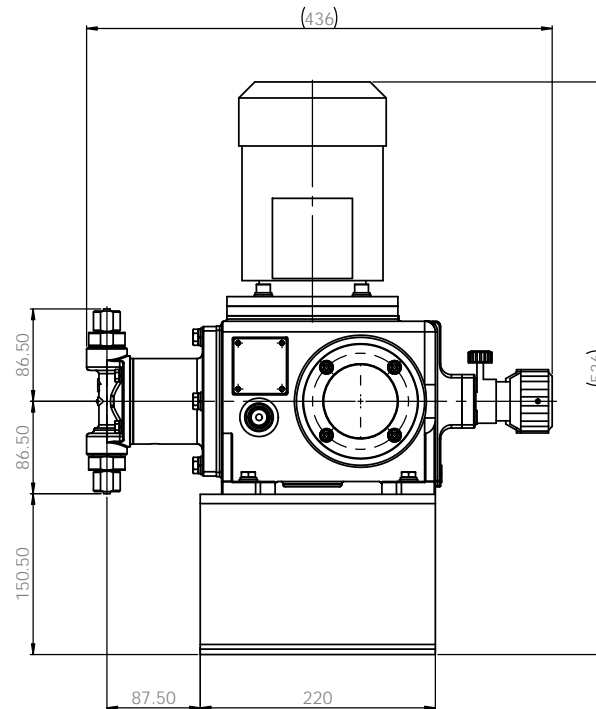
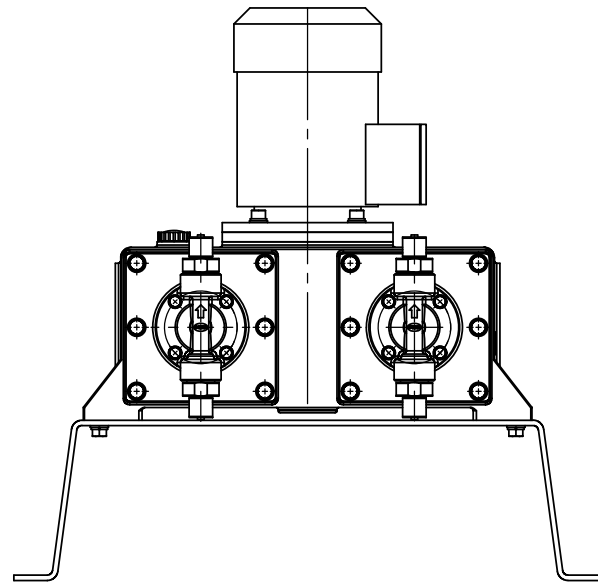
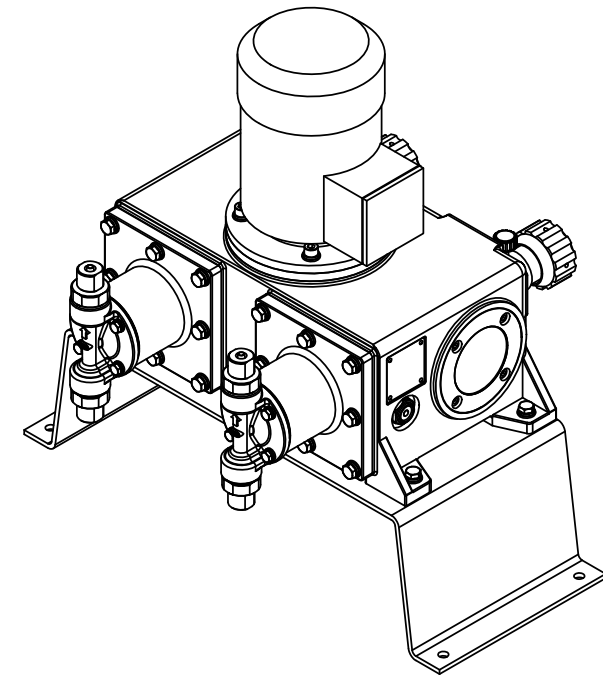
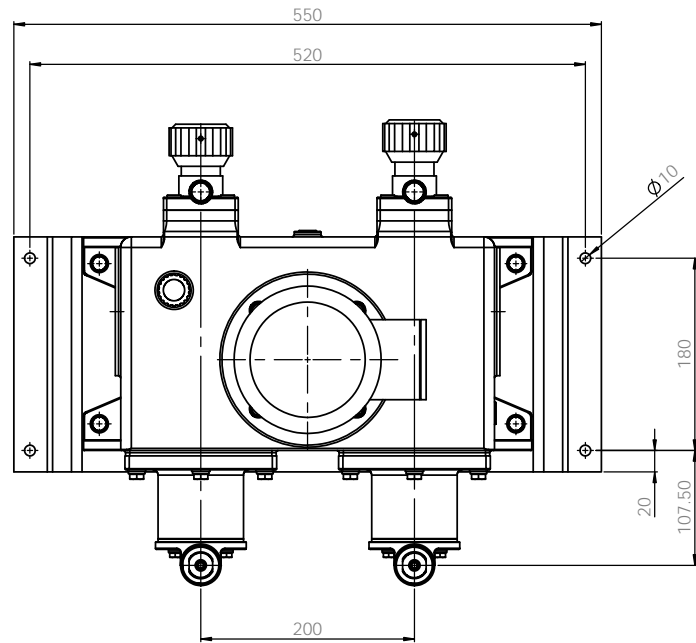
Note
 1. Model : GUMD50
 2. Material : PTFE
 3. Connection : Hose

ALL DIMENSIONS SPECIFIED UNLESS OTHERWISE SPECIFIED DIMENSIONS ARE IN MILLIMETERS UNLESS INDICATED UNLESS ANGULAR		FINISH BRASS AND BRASS SHARP ENDS	DO NOT SCALE DRAWING REVISION
DRAWN : W. PARK DATE : 2010.12.10	CHECKED : W. PARK DATE : 2010.12.10	DESIGNED : S.C. KIM DATE : 2010.12.10	PUMP ASSEMBLY-DIM GUMD50TCH-H06
D.L.A. MATERIAL : PTFE	DIM. NO. : AD1004E1001A	SCALE : 1:1	SHEET 1 OF 1



Note
 1. Model : GUMD50
 2. Material : PTFE
 3. Connection : Flange

ALL DIMENSIONS SPECIFIED UNLESS OTHERWISE SPECIFIED DIMENSIONS ARE IN MILLIMETERS TOLERANCES: FINISH: ANGULAR		FINISH: BRASS AND BRASS GRAMP POLISH	DO NOT SCALE DRAWING REVISION
DRAWN: W. PARK CHECK: W. PARK APPROV: S.C. KAP DATE: 2020.12.02 DATE: 2020.12.02 DATE: 2020.12.02	MODEL: GUMD50 SHEET:	TITLE: PUMP ASSEMBLY-DIM GUMD50TCF-KS 10K 15A FF	REVISION: A1
Dwg No: AD1004E1002A		Material: PTFE	Scale: 1:1 Sheet: 1 of 1



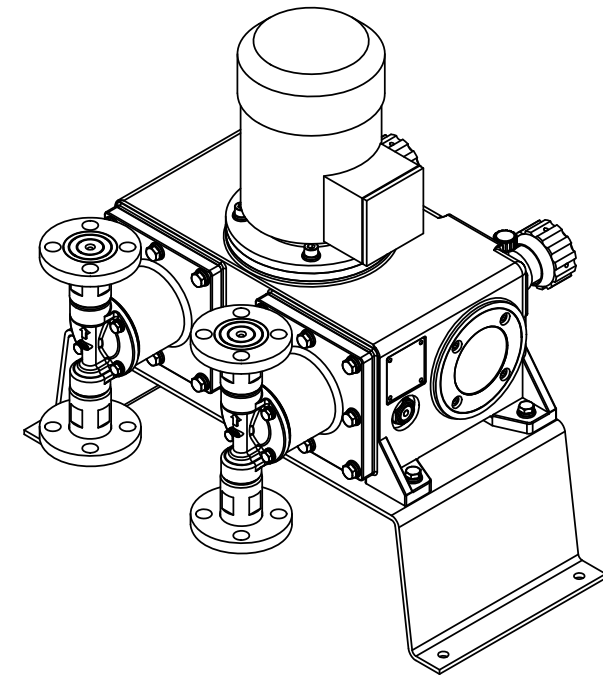
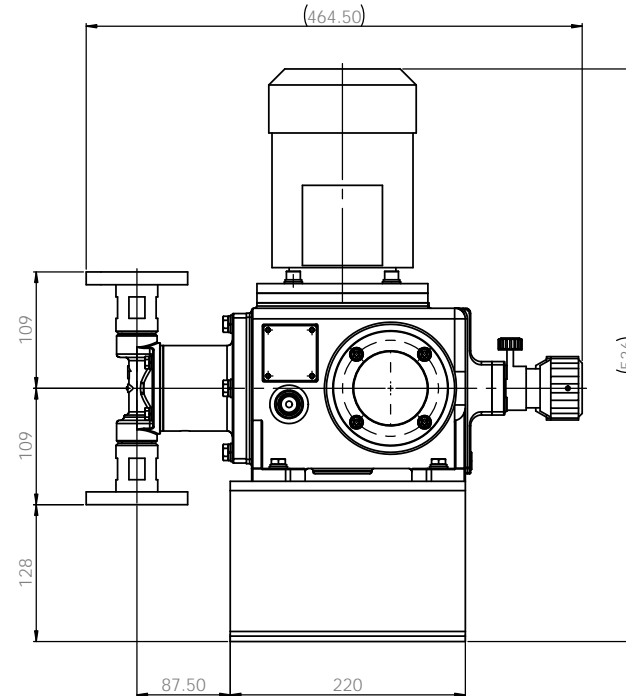
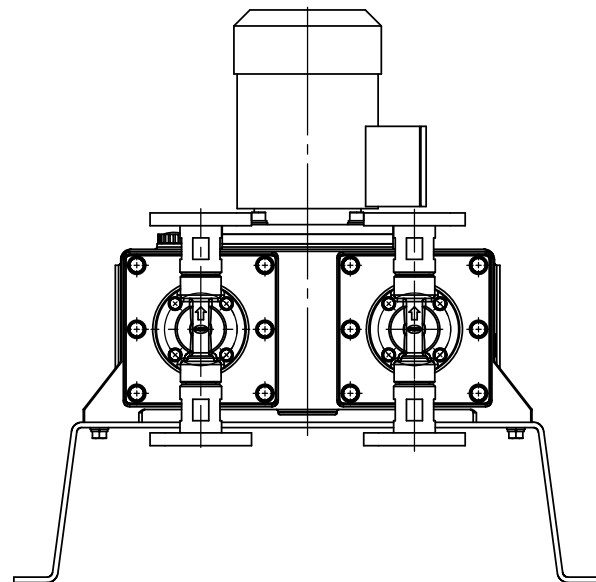
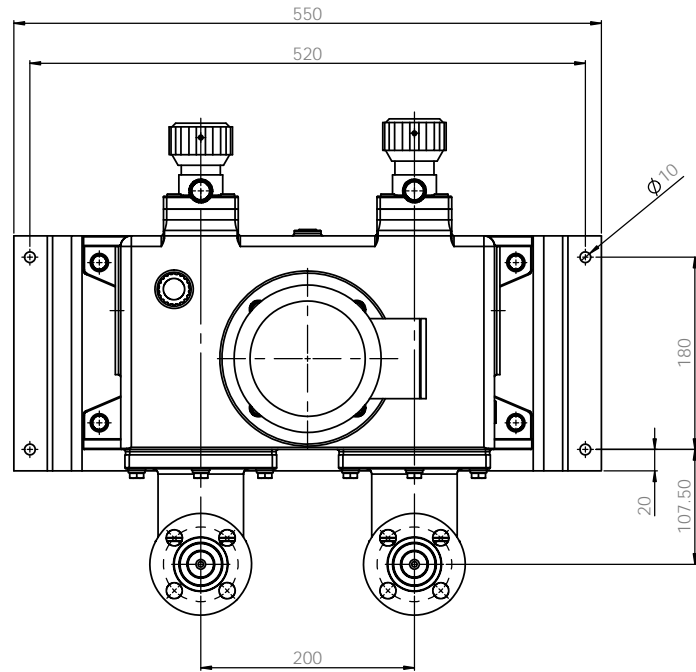
Note
 1. Model : GUMD50
 2. Material : Stainless steel
 3. Connection : Hose

ALL DIMENSIONS SPECIFIED UNLESS OTHERWISE SPECIFIED DIMENSIONS ARE IN MILLIMETERS		FINISH		TOLERANCE AND SURFACE FINISH		REVISION	
TOLERANCE: HOLE: ANGULAR:							
DATE	BY	DATE	BY	DATE	BY	DATE	BY
2020.12.10		2020.12.10		2020.12.10		2020.12.10	
2020.12.10		2020.12.10		2020.12.10		2020.12.10	
2020.12.10		2020.12.10		2020.12.10		2020.12.10	
MATERIAL: SUS304		DWG NO: AD1201E1001A		SCALE: 1:1		SHEET 1 OF 1	

E-WHA CHEMICAL FEEDER CO., LTD.

PUMP ASSEMBLY-DIM
 GUMD50S4S4H-H06

A1



Note
 1. Model : GUMD50
 2. Material : Stainless steel
 3. Connection : Flange

PUMP ASSEMBLY-SPECIFIED DIMENSIONS ARE IN MILLIMETERS		UNITS		SCALE AND BREAK SHARP EDGES		DO NOT SCALE DRAWING		REVISION	
DATE	BY	DATE	BY	DATE	BY	DATE	BY	DATE	BY
2020.12.10		2020.12.10		2020.12.10		2020.12.10		2020.12.10	
2020.12.10		2020.12.10		2020.12.10		2020.12.10		2020.12.10	
2020.12.10		2020.12.10		2020.12.10		2020.12.10		2020.12.10	
DRAWN: W. PARK		CHECKED: W. PARK		APPROVED: S.C. KIM		MATERIAL: SUS304		DWG NO: AD1201E1002A	
DATE: 2020.12.10		BY: W. PARK		DATE: 2020.12.10		BY: W. PARK		SCALE: 1:1	
DATE: 2020.12.10		BY: S.C. KIM		DATE: 2020.12.10		BY: S.C. KIM		SHEET 1 OF 1	

E-WHA CHEMICAL FEEDER CO., LTD.

PUMP ASSEMBLY-DIM
 GUMD50S4S4F-KS 10K 15A FF

SCALE: 1:1

SHEET 1 OF 1