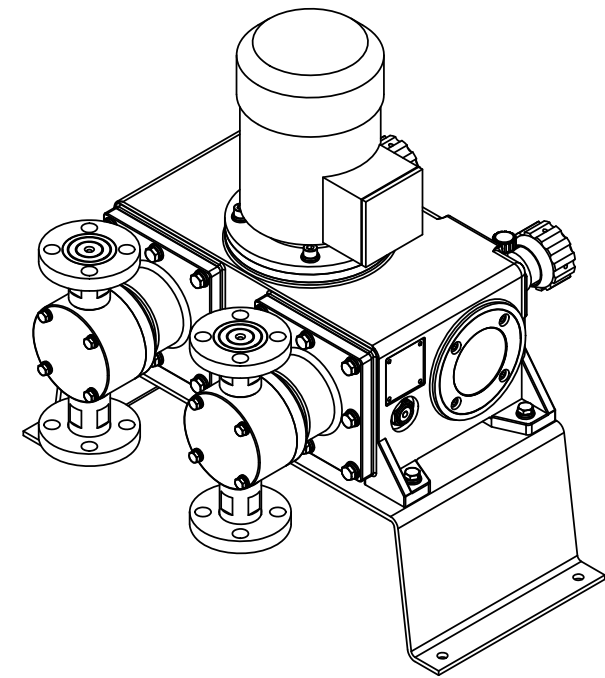
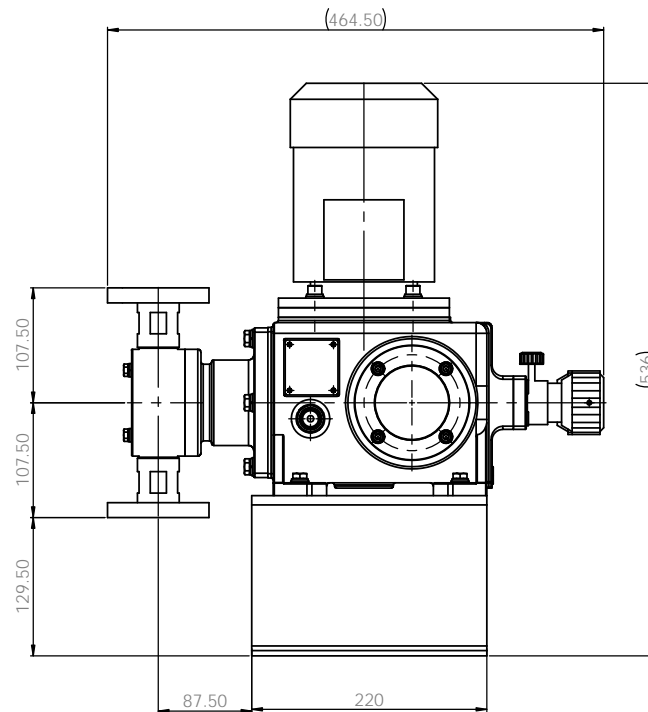
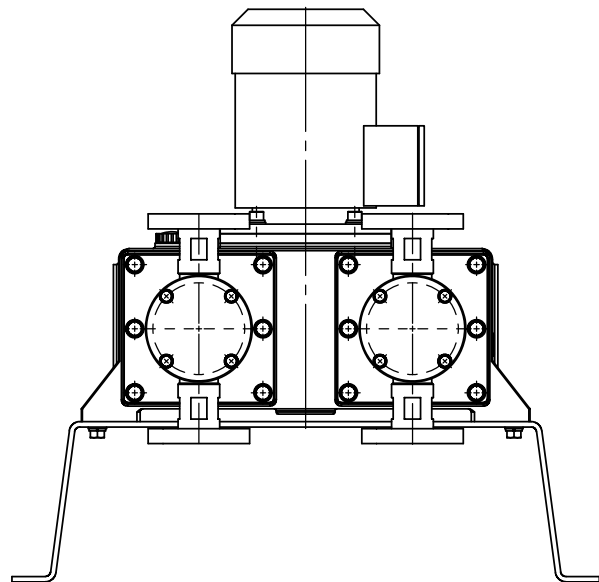
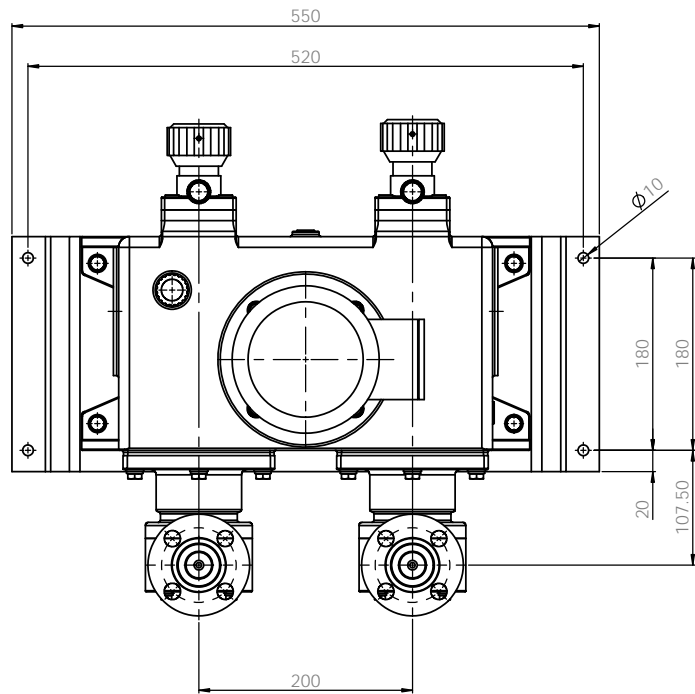


**Note**  
 1. Model : GUMD600  
 2. Material : PP / PVdF  
 3. Connection : Hose

PUMP ASSEMBLY-DIM				E-WHA CHEMICAL FEEDER CO., LTD.	
DATE	REV	BY	CHK	SCALE	SHEET
2023.12.15	01	W. PARK		1:1	1 OF 1
2023.12.15		W. PARK			
2023.12.15		S.C. KIM			
2023.12.15					
MATERIAL			PVC		
DRAWING NO.			AD1000E1007A		
SCALE			1:1		



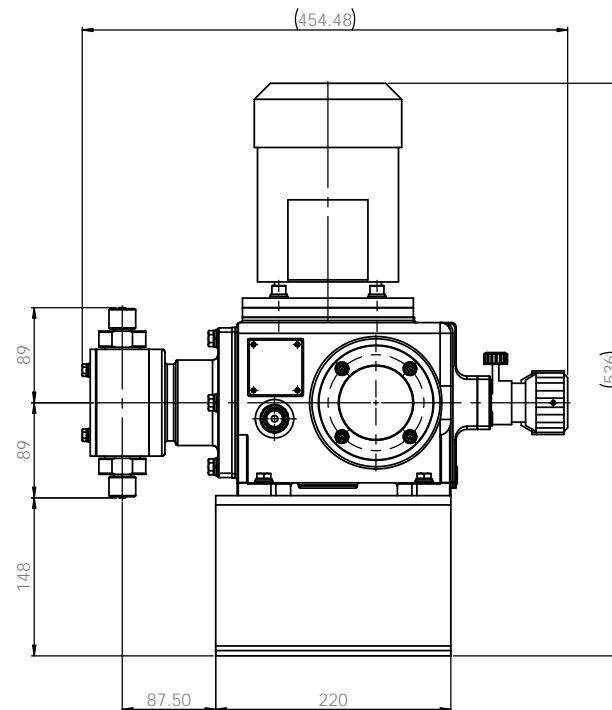
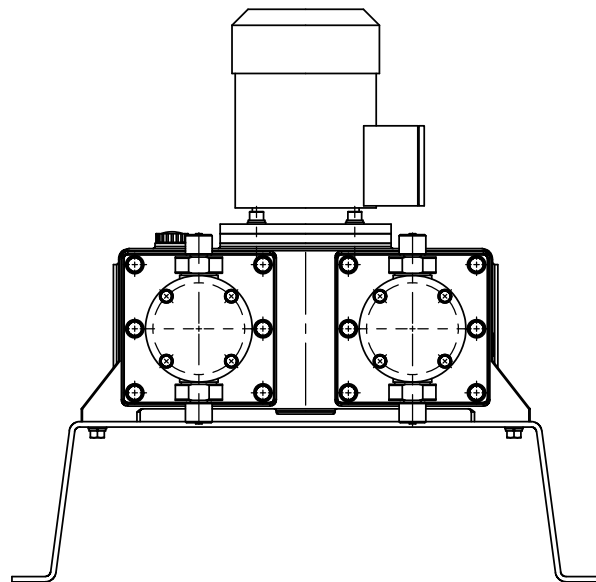
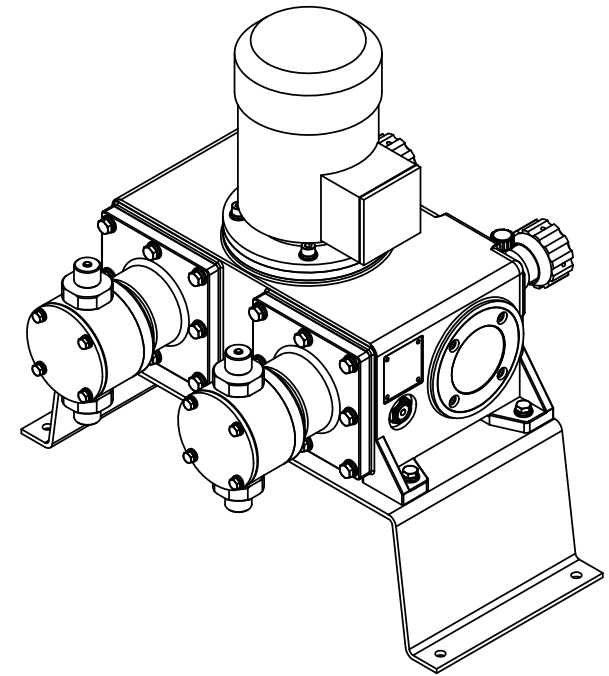
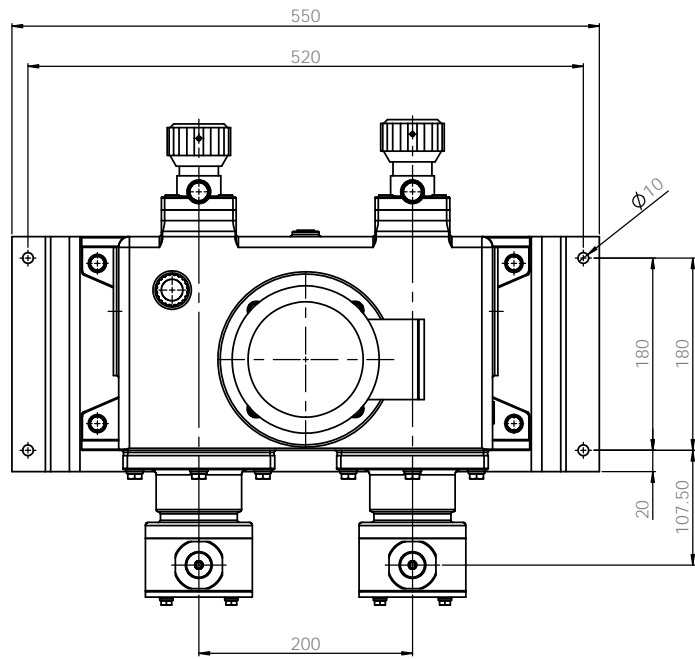
**Note**  
 1. Model : GUMD600  
 2. Material : PP / PVdF  
 3. Connection : Flange

PUMP ASSEMBLY SPECIFIED DIMENSIONS ARE IN MILLIMETERS				SCALE AND BREAK SHARP EDGES		DO NOT SCALE DRAWING		REVISION	
DATE	BY	CHKD	APPD	DATE	BY	DATE	BY	DATE	BY
2020.12.10	W. PAKH			2020.12.10					
2020.12.10	W. PAKH			2020.12.10					
2020.12.10	S.C. KHAI			2020.12.10					
MATERIAL				PVC		DRAWING NO.		AD1000E1008A	
SCALE 1:1				SHEET 1 OF 1					

E-WHA CHEMICAL FEEDER CO., LTD.

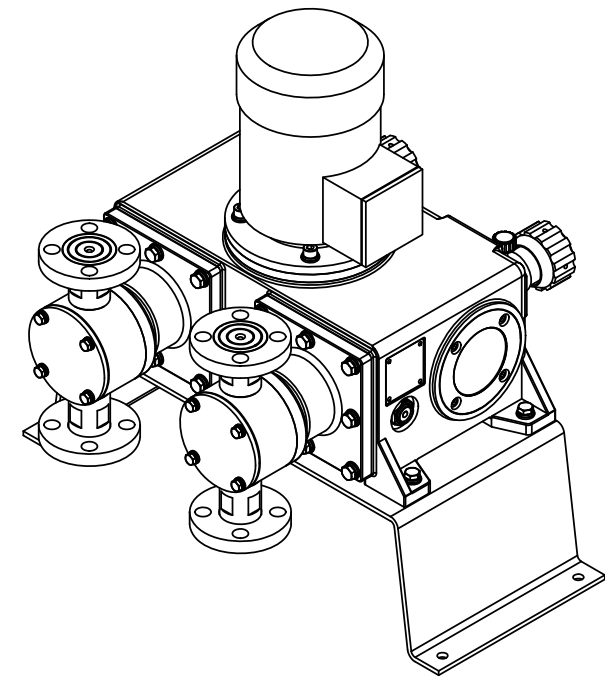
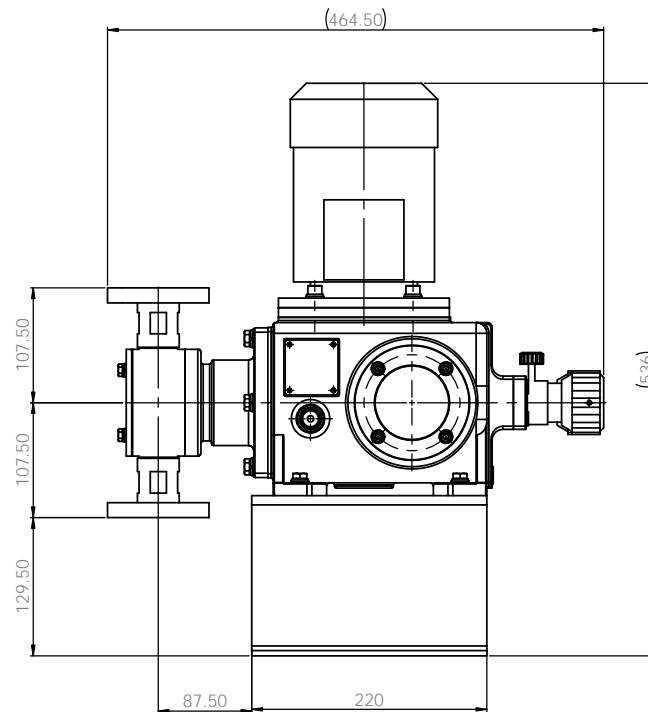
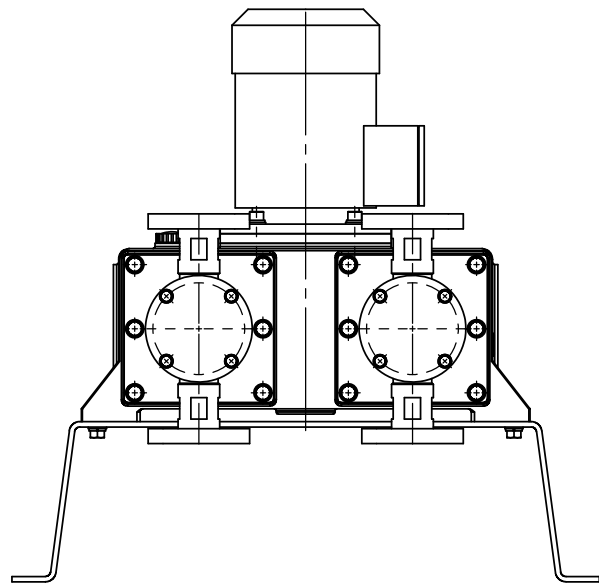
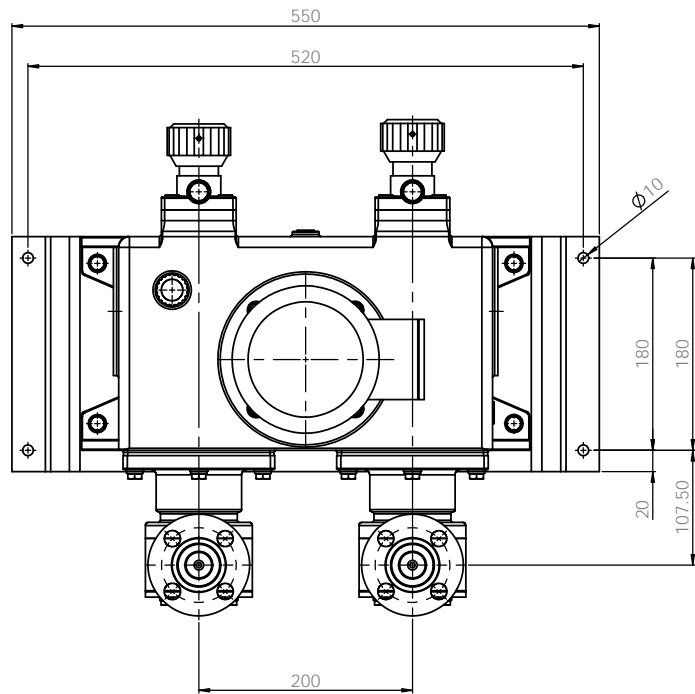
PUMP ASSEMBLY-DIM  
 GUMD600PCF-KS 10K 15A FF

A1



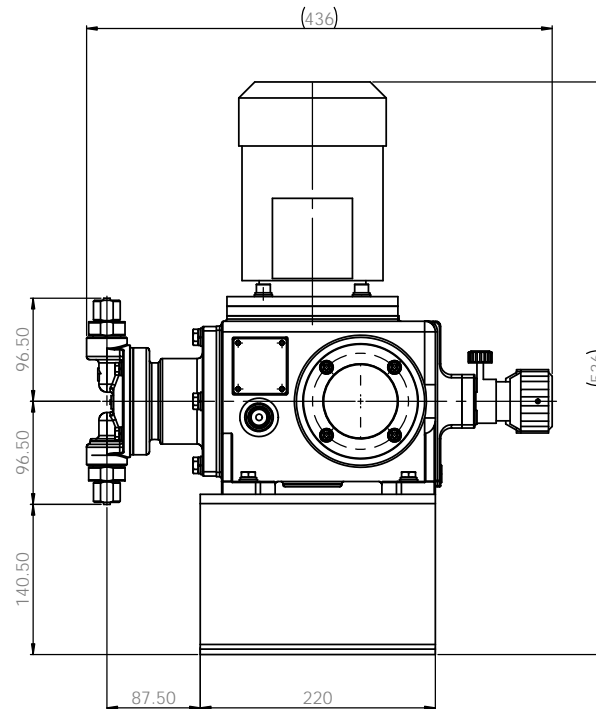
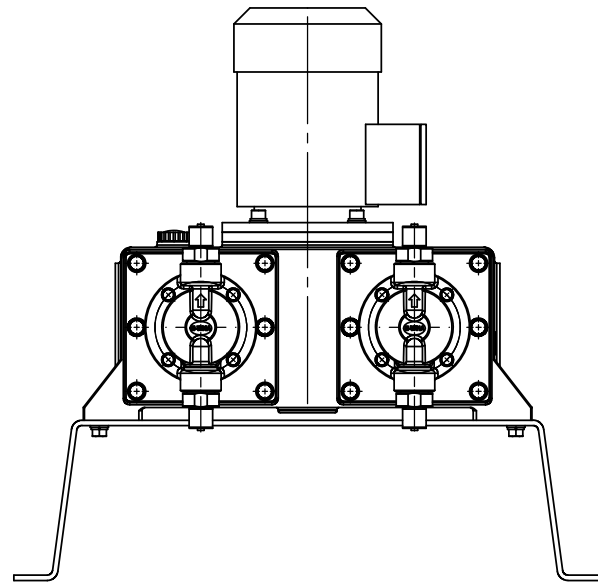
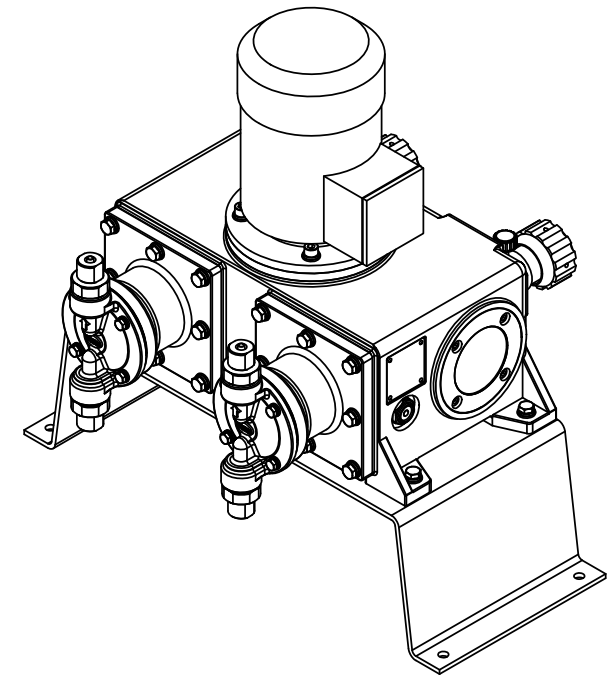
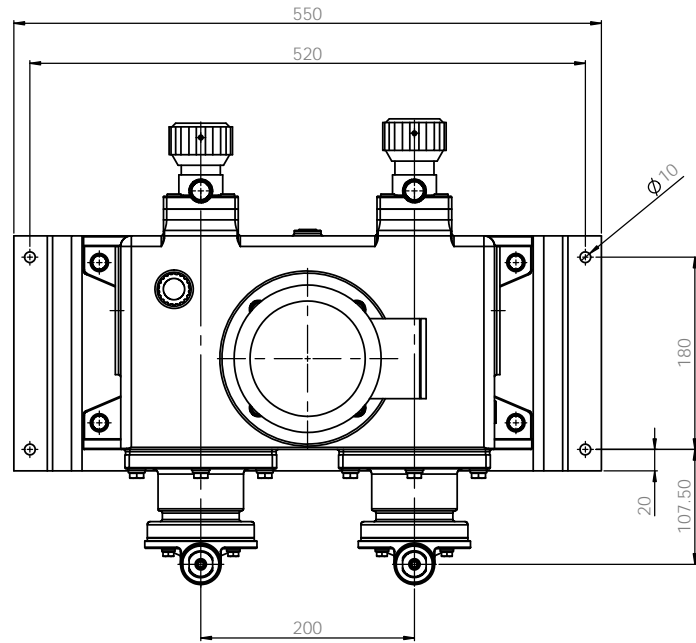
**Note**  
 1. Model : GUMD600  
 2. Material : PTFE  
 3. Connection : Hose

PUMP ASSEMBLY-DIM				E-WHA CHEMICAL FEEDER CO., LTD.	
DATE	REV	BY	CHK	DATE	REV
2020.12.10					
2020.12.10					
2020.12.10					
MATERIAL			PTFE		
SCALE			1:1		
SHEET NO.			A1		
SHEET TOTAL			1 OF 1		



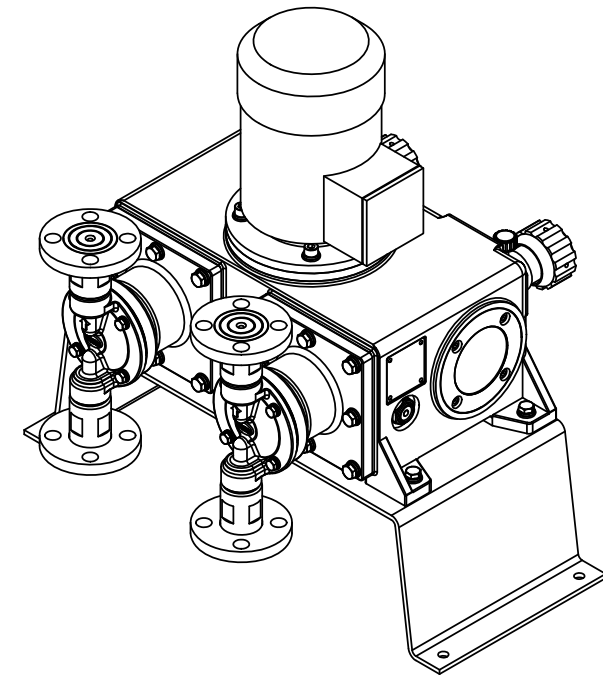
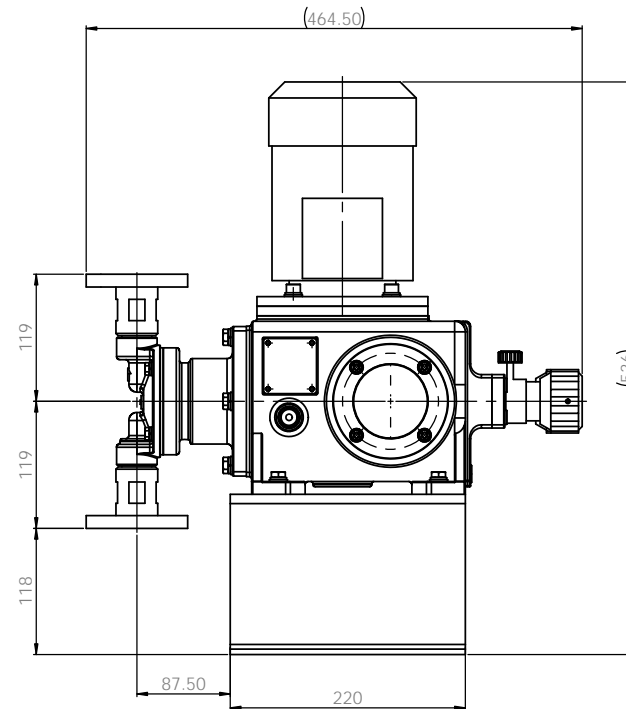
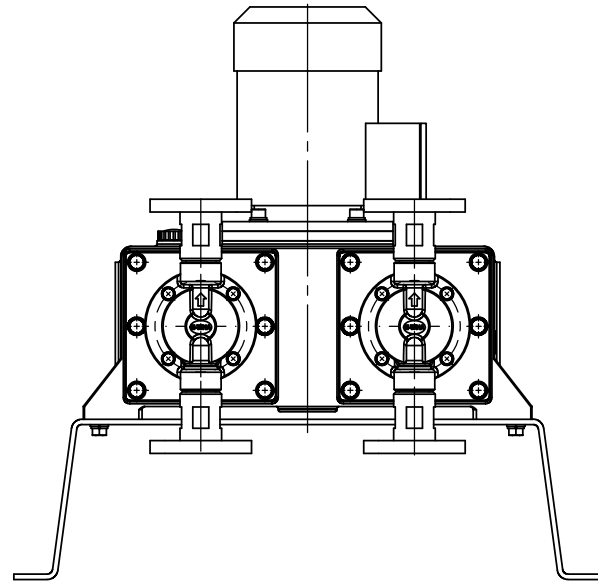
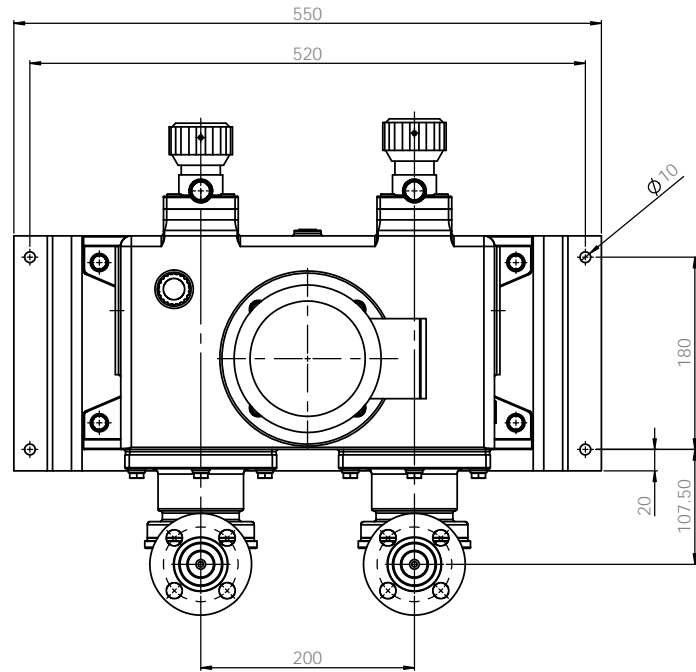
**Note**  
 1. Model : GUMD600  
 2. Material : PTFE  
 3. Connection : Flange

PUMP ASSEMBLY-SPECIFIED DIMENSIONS ARE IN MILLIMETERS				SCALE AND BREAK SHARP EDGES		DO NOT SCALE DRAWING		REVISION	
DATE	BY	CHKD	APP'D	DATE	BY	DATE	BY	DATE	BY
2020.12.10	W. PAKK			2020.12.10					
2020.12.10	W. PAKK			2020.12.10					
2020.12.10	S.C. KHA			2020.12.10					
MATERIAL: PTFE				DRAWING NO: AD1004E1008A		SHEET 1 OF 1		A1	



**Note**  
 1. Model : GUMD600  
 2. Material : Stainless steel  
 3. Connection : Hose

ALL DIMENSIONS SPECIFIED UNLESS OTHERWISE SPECIFIED DIMENSIONS ARE IN MILLIMETERS				SCALE AND BREAK SHARP EDGES		DO NOT SCALE DRAWING		REVISION
TOLERANCES UNLESS OTHERWISE SPECIFIED				FINISH		E-WHA CHEMICAL FEEDER CO., LTD.		REV.
FINISH	DATE	DESIGNED BY	DATE	SCALE	REV.	PUMP ASSEMBLY-DIM		A1
DRAWN	2020.12.10	W. PARK	2020.12.10			GUMD600S4S4H-H05		
CHECK	2020.12.10	W. PARK	2020.12.10					
APPROV	2020.12.10	S.C. KIM	2020.12.10					
DATE								
MATERIAL				SUS304		DWG NO.		AD1201E1007A
SCALE				1:1		SHEET		1 OF 1



**Note**  
 1. Model : GUMD600  
 2. Material : Stainless steel  
 3. Connection : Flange

ALL DIMENSIONS SPECIFIED UNLESS OTHERWISE SPECIFIED DIMENSIONS ARE IN MILLIMETERS		FINISH		TOLERANCE AND SURFACE FINISH		REVISION	
DIMENSIONS		TOLERANCE		SURFACE FINISH		DATE	
LINEAR		ANGULAR		Rough		E-WHA CHEMICAL FEEDER CO., LTD.	
DATE	BY	DATE	BY	DATE	BY	DATE	BY
2010.12.10	W. PARK	2010.12.10	W. PARK	2010.12.10	W. PARK	2010.12.10	W. PARK
2010.12.10	S.C. KIM	2010.12.10	S.C. KIM	2010.12.10	S.C. KIM	2010.12.10	S.C. KIM
MATERIAL		SUS304		DWG NO.		AD1201E1008A	
SCALE		SCALE 1:1		SHEET		SHEET 1 OF 1	