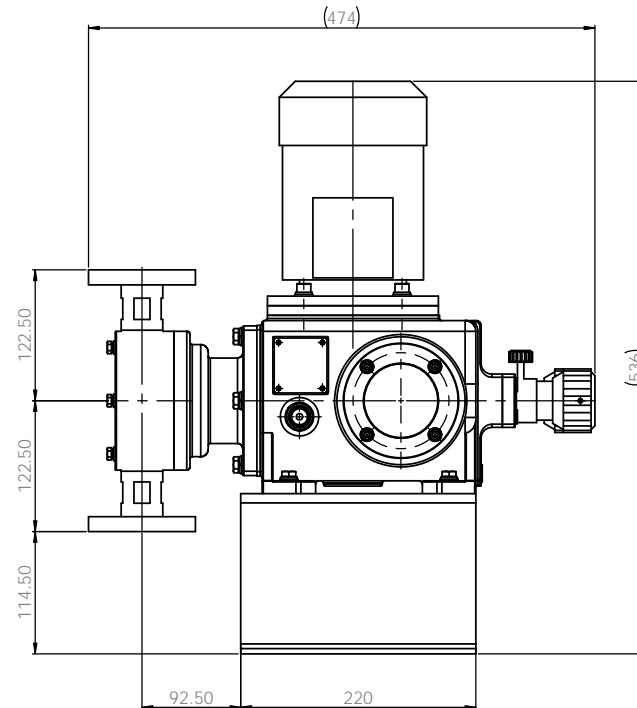
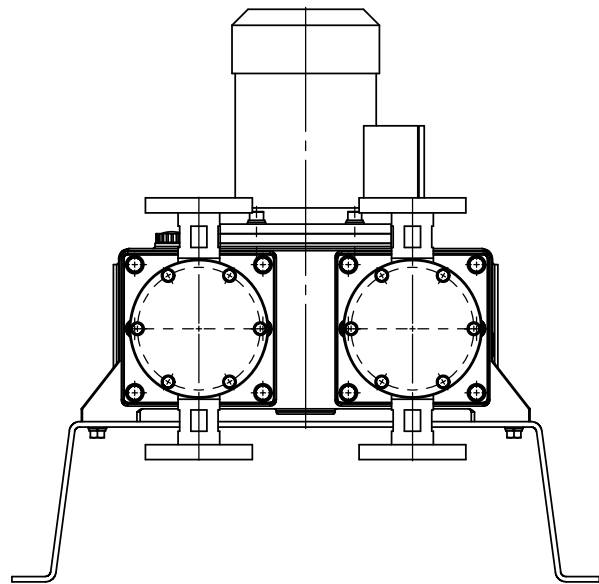
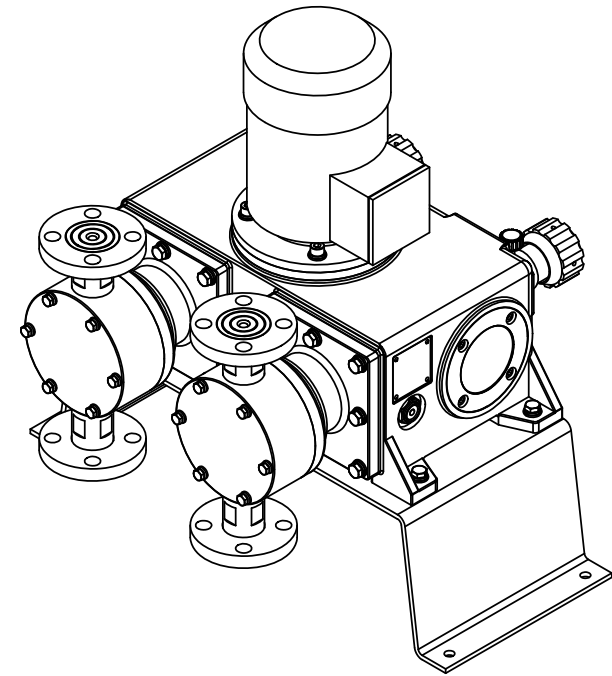
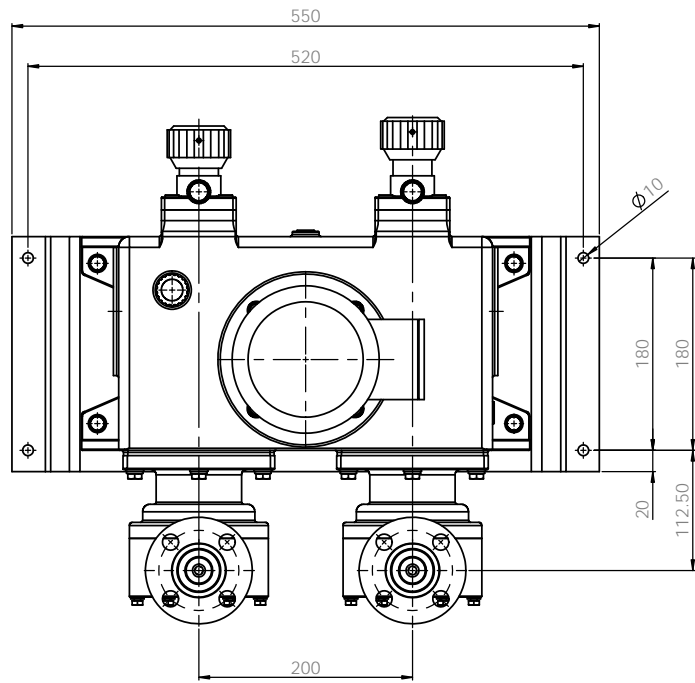


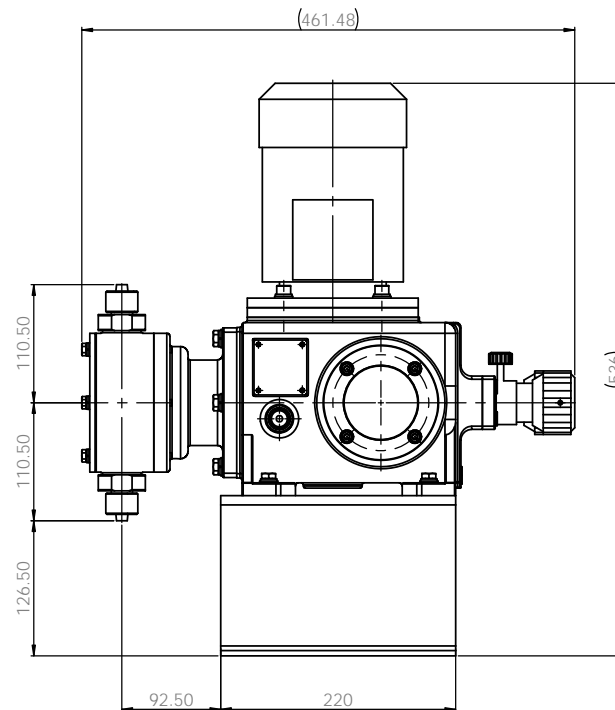
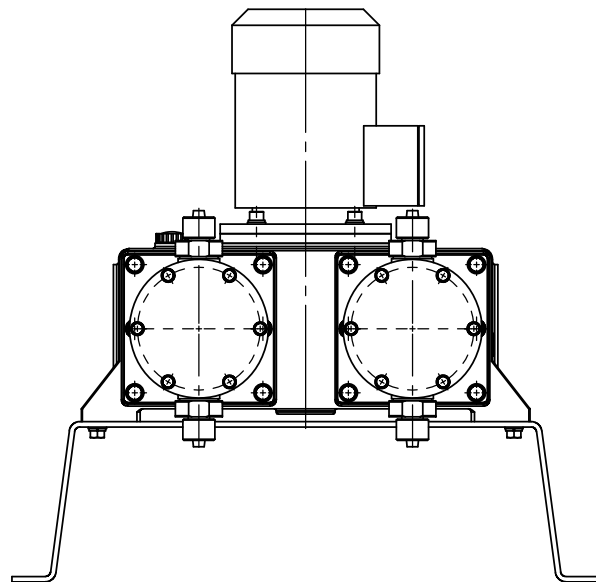
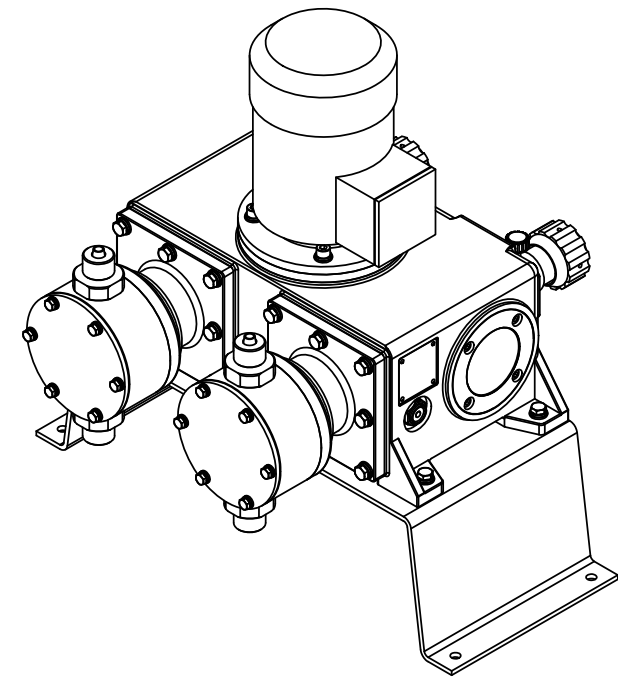
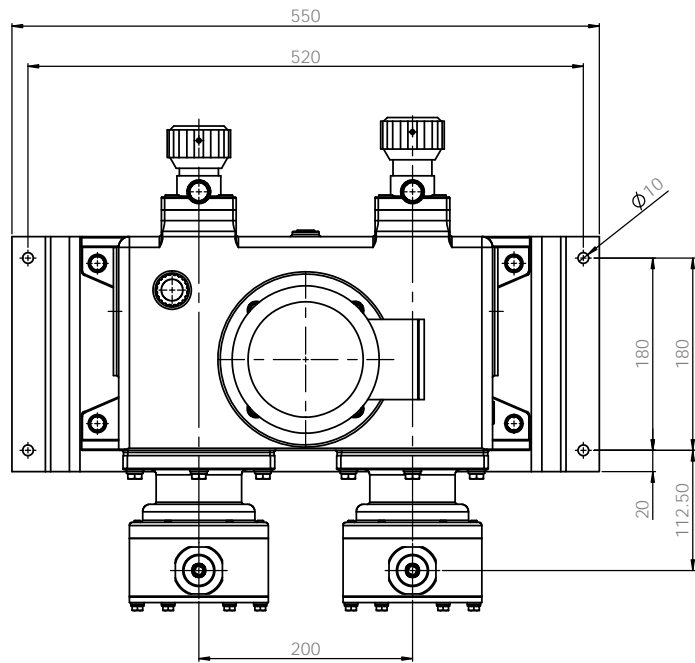
**Note**  
 1. Model : GUMD6000  
 2. Material : PP / PVdF  
 3. Connection : Hose

PUMP		E-WHA CHEMICAL FEEDER CO., LTD.	
DRAWN: W. PARK		REVISION	
CHECK: W. PARK		E-WHA CHEMICAL FEEDER CO., LTD.	
APPROV: S.C. KIM		PUMP ASSEMBLY-DIM	
DATE: 2010.12.10		GUMD6000PCH-H10	
MATERIAL: PVC		SCALE: 1:1	
SHEET NO: AD1000E1015A		SHEET 1 OF 1	



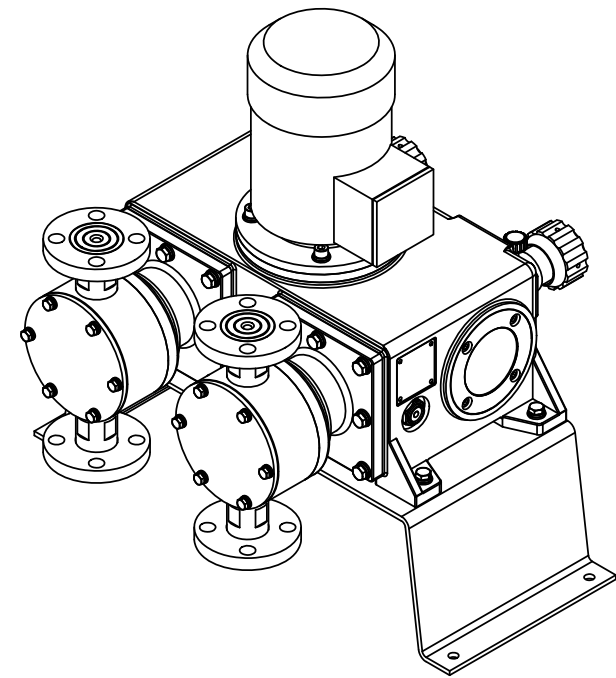
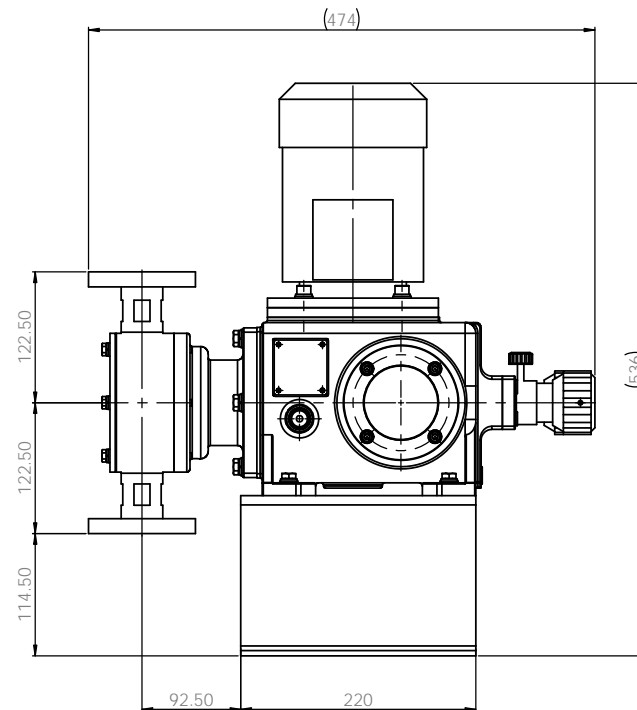
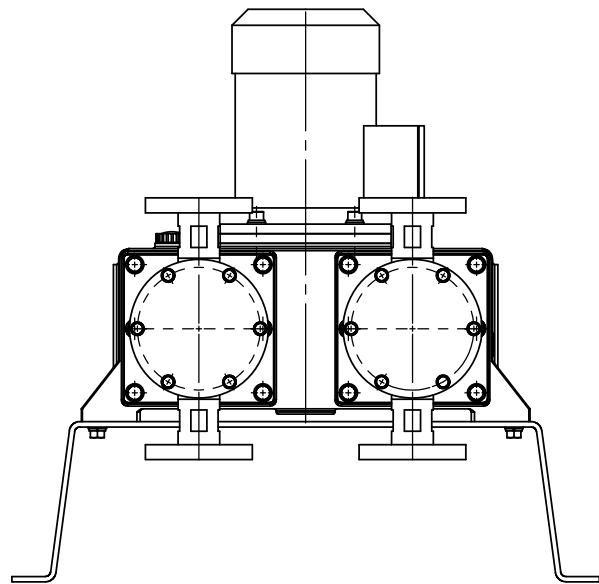
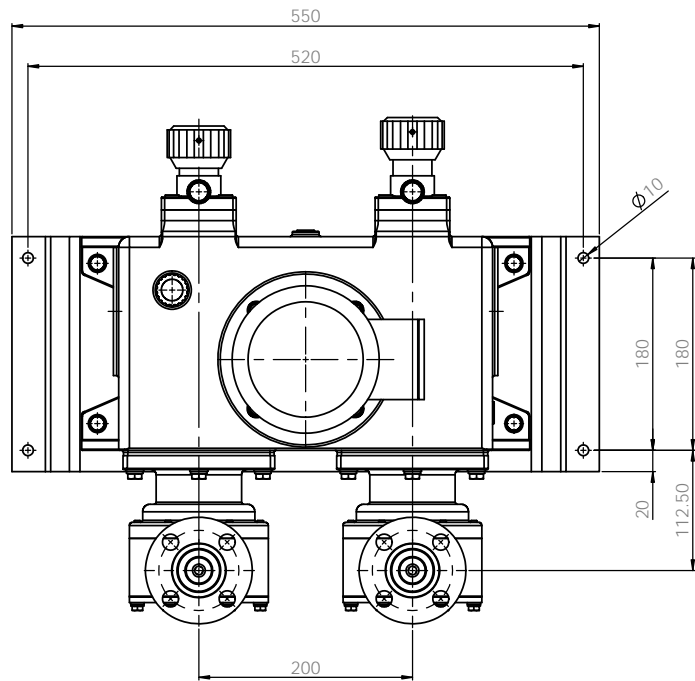
**Note**  
 1. Model : GUMD6000  
 2. Material : PP / PVdF  
 3. Connection : Flange

PANEL DIMENSIONS SPECIFIED		DIMENSIONS ARE IN MILLIMETERS		TOLERANCES UNLESS SPECIFIED		DO NOT SCALE DRAWING		REVISION	
DATE	BY	DATE	BY	DATE	BY	DATE	BY	DATE	BY
2010.12.10	W. PARK	2010.12.10							
2010.12.10	W. PARK	2010.12.10							
2010.12.10	S.C. KIM	2010.12.10							
MATERIAL						PVC		SCALE 1:1	
DRAWING NO.						AD1000E1016B		SHEET 1 OF 1	
COMPANY						E-WHA CHEMICAL FEEDER CO., LTD.			
PROJECT						PUMP ASSEMBLY-DIM			
PART NO.						GUMD6000PCF-KS 10K 20A FF			



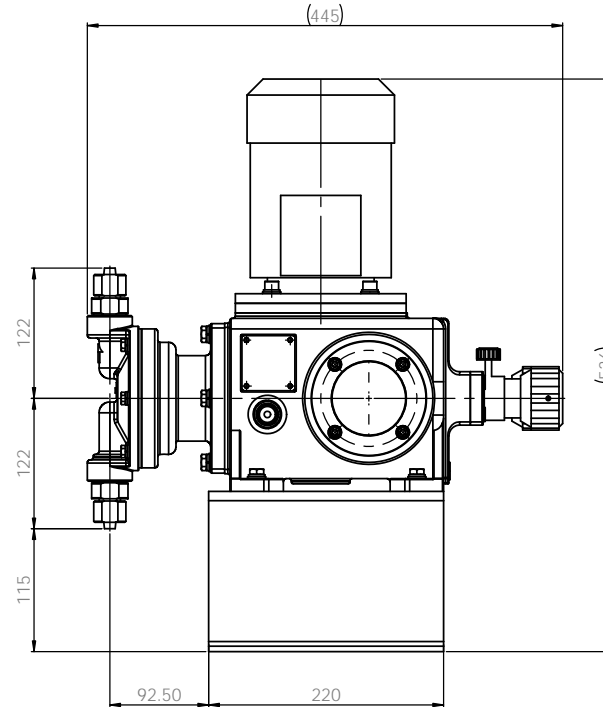
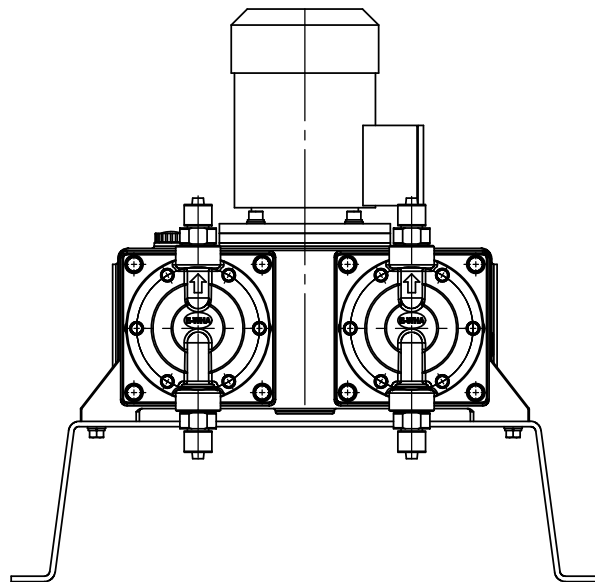
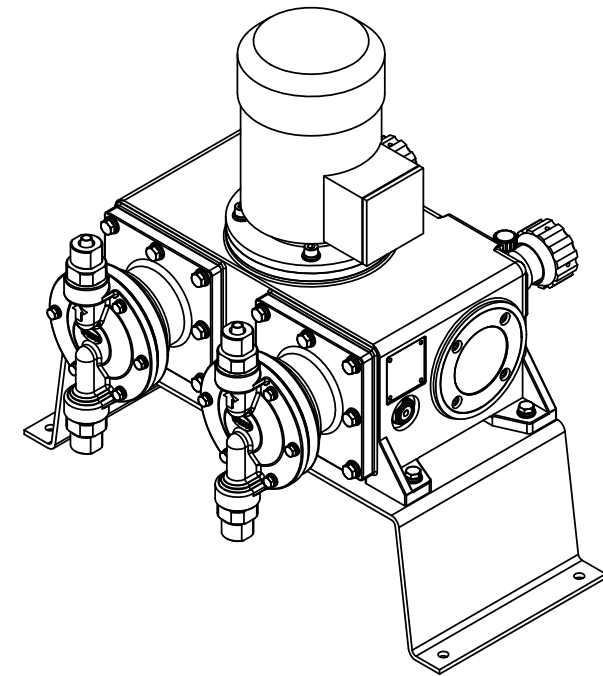
**Note**  
 1. Model : GUMD6000  
 2. Material : PTFE  
 3. Connection : Hose

PUMP ASSEMBLY-SPECIFIED DIMENSIONING ARE IN MILLIMETERS UNLESS OTHERWISE SPECIFIED				UNITS		SCALE AND BREAK SHARP EDGES		DO NOT SCALE DRAWING		REVISION
DATE	BY	CHKD	APPV	UNIT	SCALE	VIEW	PROJ	REV	NO.	DESCRIPTION
2020.12.10	W. PARK			MM						
2020.12.10	W. PARK			MM						
2020.12.10	S.C. KIM			MM						
				MATERIAL		PTFE		DIMC NO.		AD1004E1015A
				SCALE		1:1		SHEET		1 OF 1



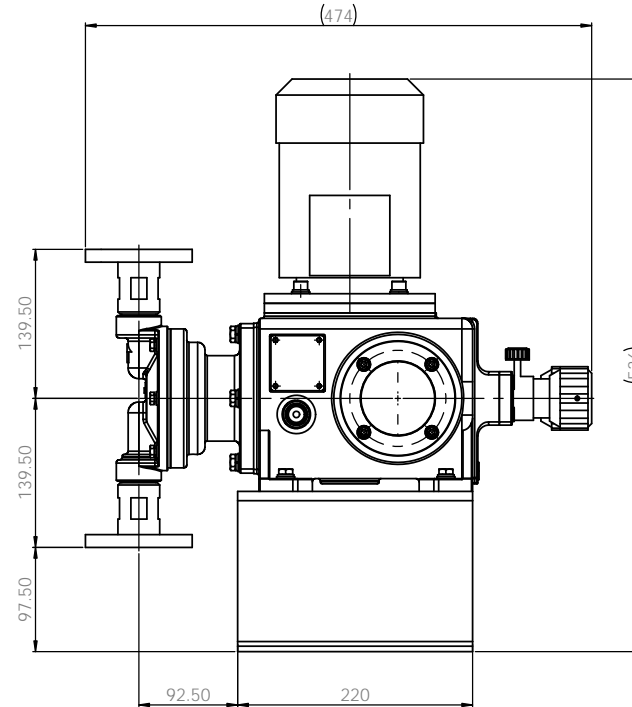
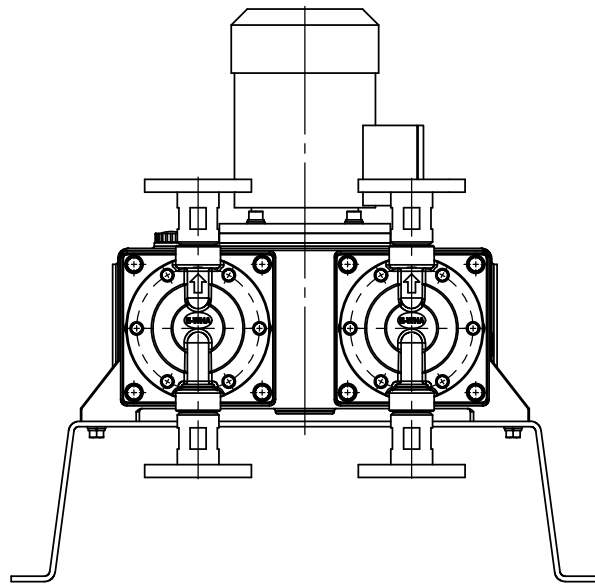
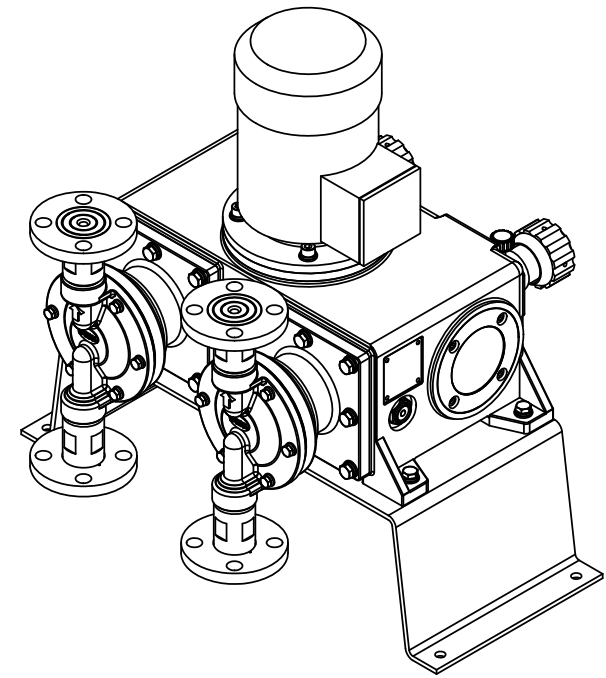
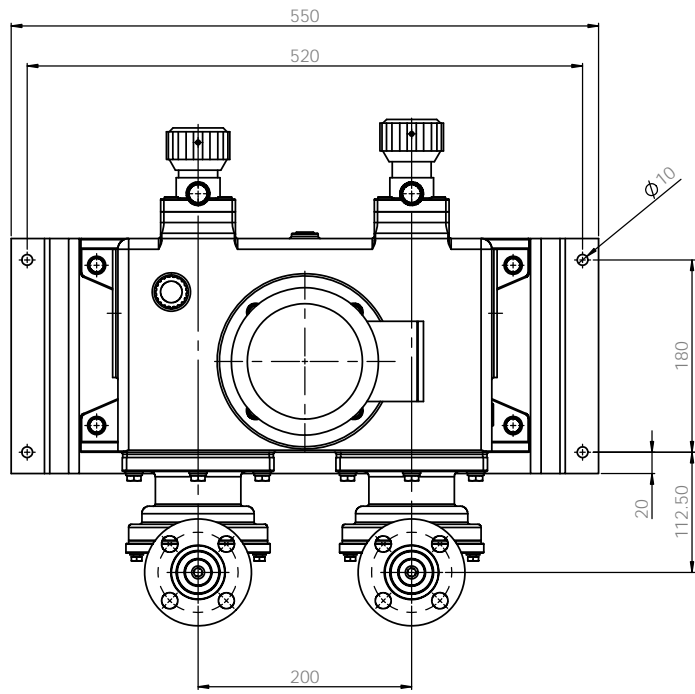
**Note**  
 1. Model : GUMD6000  
 2. Material : PTFE  
 3. Connection : Flange

PUMP ASSEMBLY-DIM		E-WHA CHEMICAL FEEDER CO., LTD.	
GUMD6000TCF-KS 10K 20A FF		AD1004E1016B	
PTFE		A1	
SCALE 1:1		SHEET 1 OF 1	



**Note**  
 1. Model : GUMD6000  
 2. Material : Stainless steel  
 3. Connection : Hose

ALL DIMENSIONS SPECIFIED UNLESS OTHERWISE SPECIFIED DIMENSIONS ARE IN MILLIMETERS UNLESS INDICATED OTHERWISE		FINISH BRASS AND BRASS SHARP POLISH	DO NOT SCALE DRAWING REVISION
DRAWN W. PARK 2010.12.10	CHECKED W. PARK 2010.12.10	DATE 2010.12.10	E-WHA CHEMICAL FEEDER CO., LTD. PUMP ASSEMBLY-DIM GUMD6000S4S4H-H10
APPROVED S.C. KIM 2010.12.10	DATE 2010.12.10	MATERIAL SUS304	DWG. NO. AD1201E1015A
D.L.A.	REQUIR.	SCALE 1:1	SHEET 1 OF 1



**Note**  
 1. Model : GUMD6000  
 2. Material : Stainless steel  
 3. Connection : Flange

ALL DIMENSIONS SPECIFIED UNLESS OTHERWISE SPECIFIED DIMENSIONS ARE IN MILLIMETERS TOLERANCES: FINISH: ANGULAR		FINISH: BRASS GRAB STEEL	DO NOT SCALE DRAWING REVISION
DRAWN: W. PARK CHECK: W. PARK APPROV: S.C. KIM DATE: 2010.12.10 DATE: 2010.12.10 DATE: 2010.12.10	NAME: W. PARK DESIGNER: W. PARK DATE: 2010.12.10	MATERIAL: SUS304	E-WHA CHEMICAL FEEDER CO., LTD. PUMP ASSEMBLY-DIM GUMD6000S4S4F-KS 10K 20A FF DWG NO: AD1201E1016B SCALE: 1:1 SHEET 1 OF 1