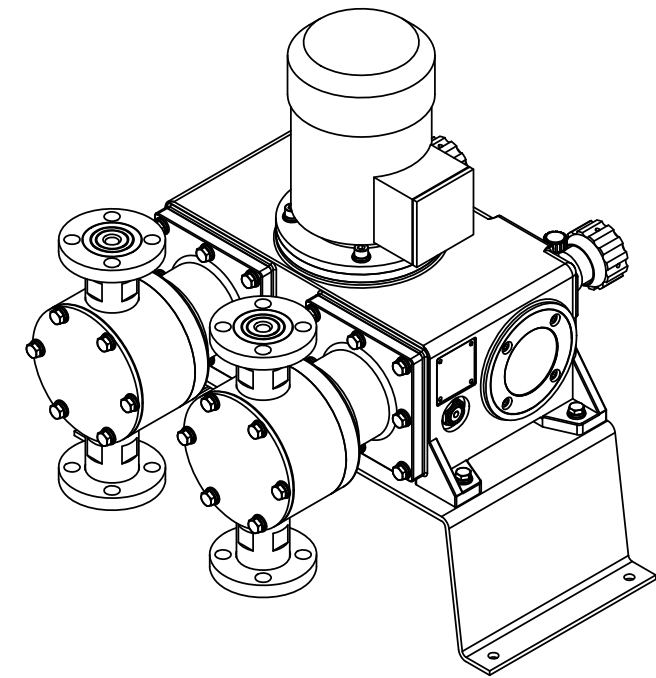
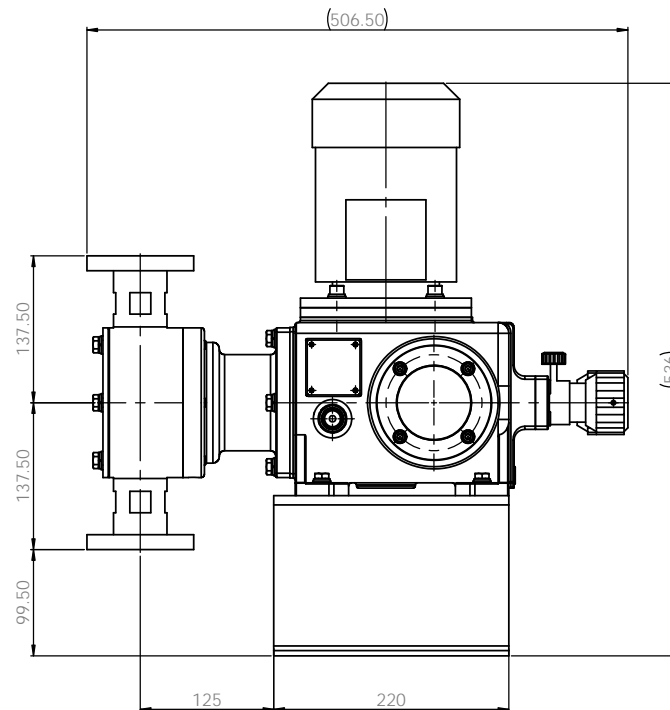
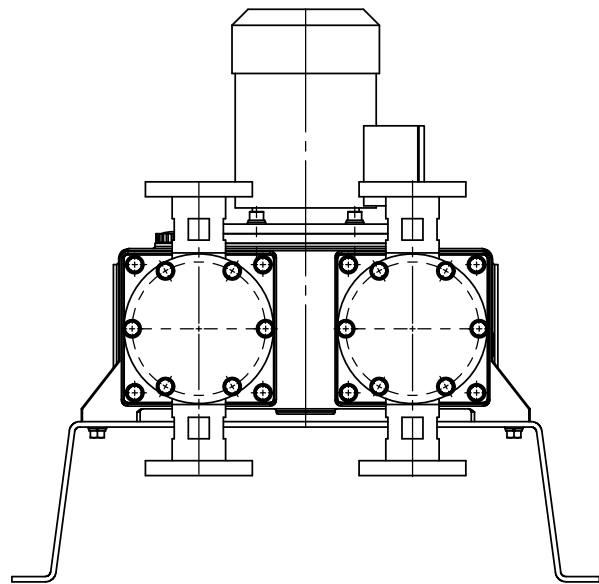
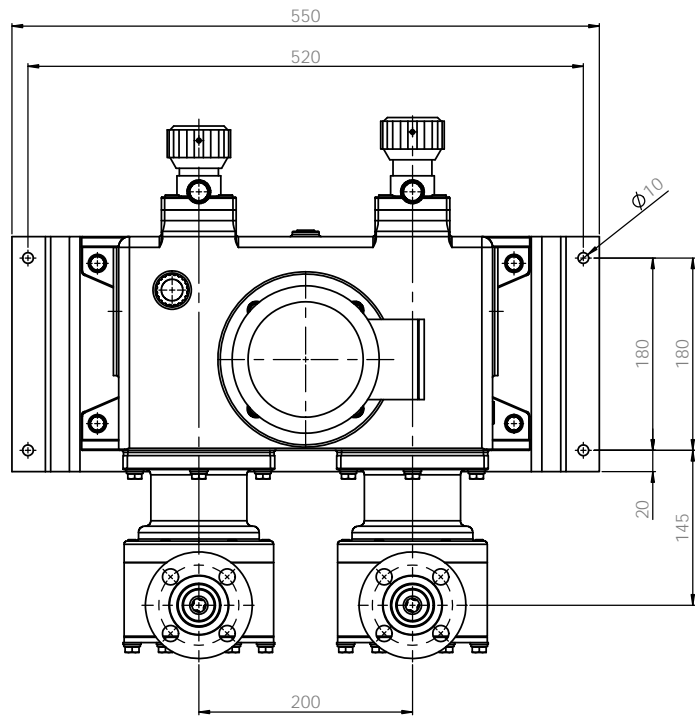


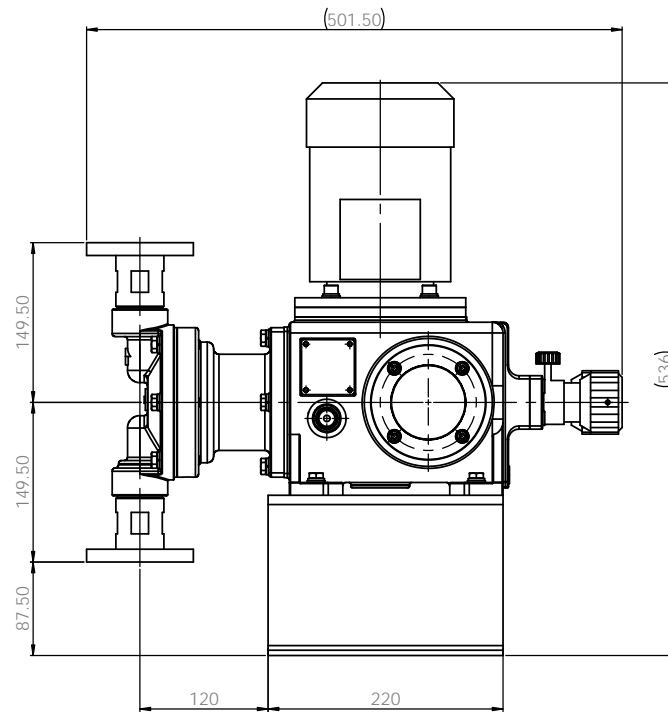
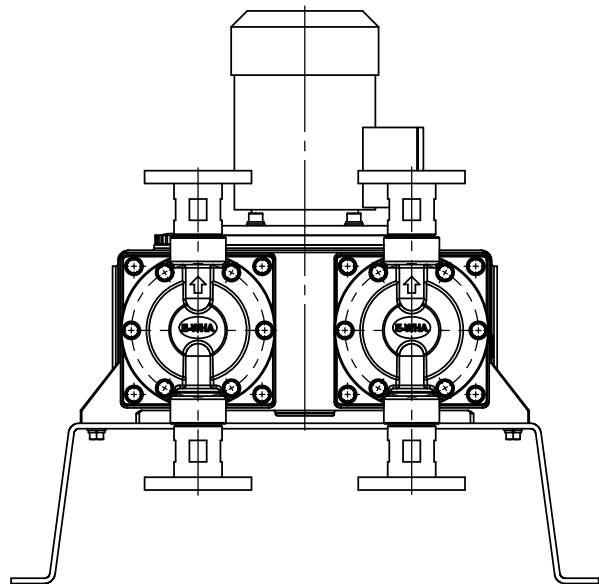
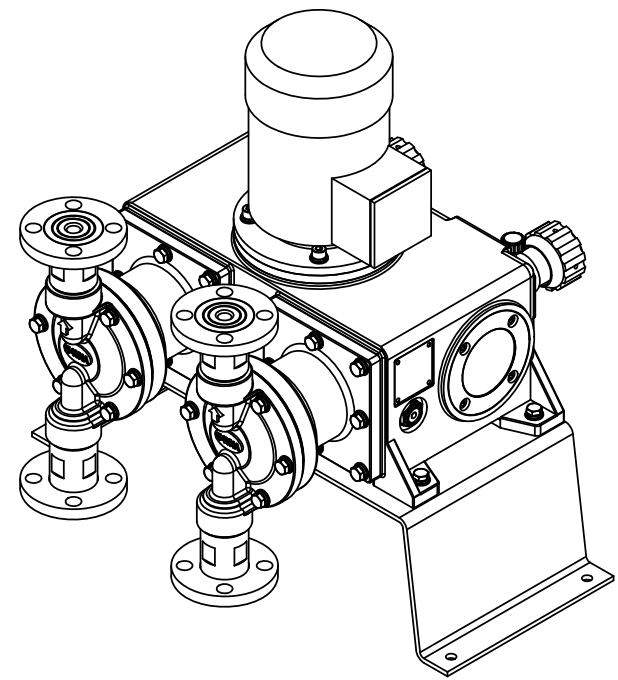
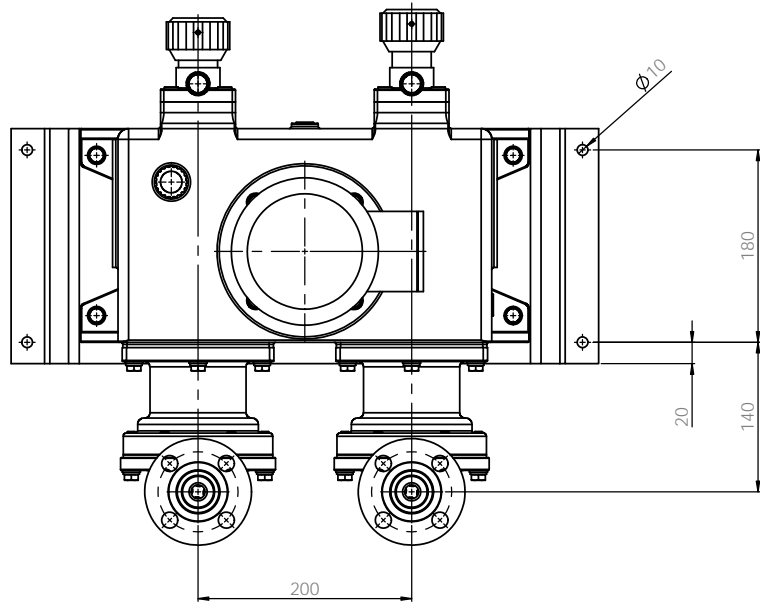
Note
 1. Model : GUMD8000
 2. Material : PP / PVdF
 3. Connection : Flange

PUMP ASSEMBLY-DIM		E-WHA CHEMICAL FEEDER CO., LTD.	
GUMD8000PCF-KS 10K 20A FF		PVC	
AD1000E1018B		A1	
SCALE 1:1		SHEET 1 OF 1	



Note
 1. Model : GUMD8000
 2. Material : PTFE
 3. Connection : Flange

PUMP ASSEMBLY-DIM				E-WHA CHEMICAL FEEDER CO., LTD.	
DATE	REV	BY	CHK	DATE	REV
2023.12.10				2023.12.10	
2023.12.10				2023.12.10	
2023.12.10				2023.12.10	
MATERIAL			PTFE		
SCALE			1:1		
SHEET			1 OF 1		



Note
 1. Model : GUMD8000
 2. Material : Stainless steel
 3. Connection : Flange

ALL DIMENSIONS SPECIFIED UNLESS OTHERWISE SPECIFIED DIMENSIONS ARE IN MILLIMETERS		FINISH		SCALE AND BREAK SHARP EDGES		DO NOT SCALE DRAWING		REVISION	
TOLERANCES UNLESS OTHERWISE SPECIFIED		HOLE		DRAWING		DATE		E-WHA CHEMICAL FEEDER CO., LTD.	
FRAMES	W. PART	W. PART	2020.12.10					PUMP ASSEMBLY-DIM	
FRAMES	W. PART	W. PART	2020.12.10					GUMD8000S4S4F-KS 10K 20A FF	
FRAMES	S.C. PART	S.C. PART	2020.12.10					DIMC NO.	
FRAMES								MATERIAL	
FRAMES								SUS304	
FRAMES								DIMC NO.	
FRAMES								AD1201E1018B	
FRAMES								SCALE 1:1	
FRAMES								SHEET 1 OF 1	