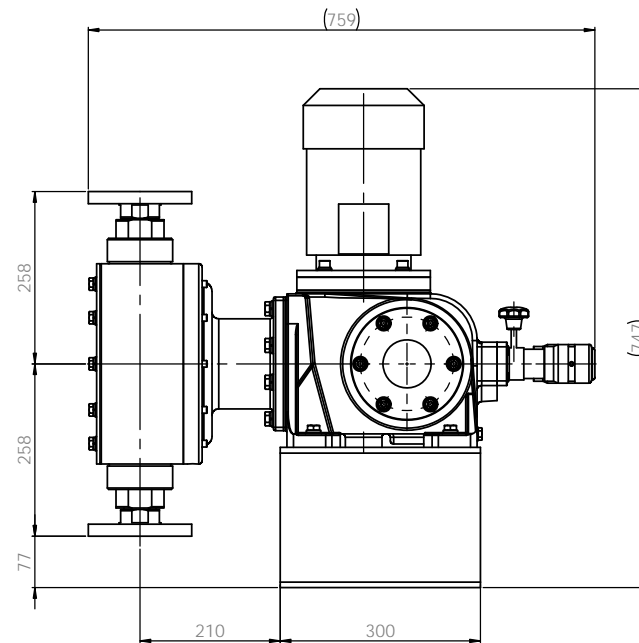
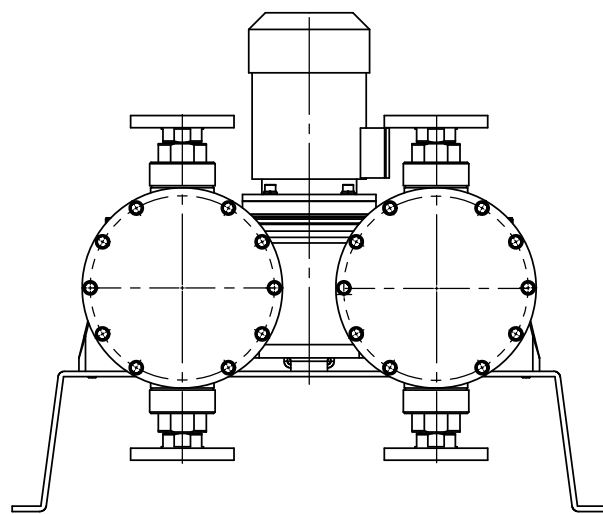
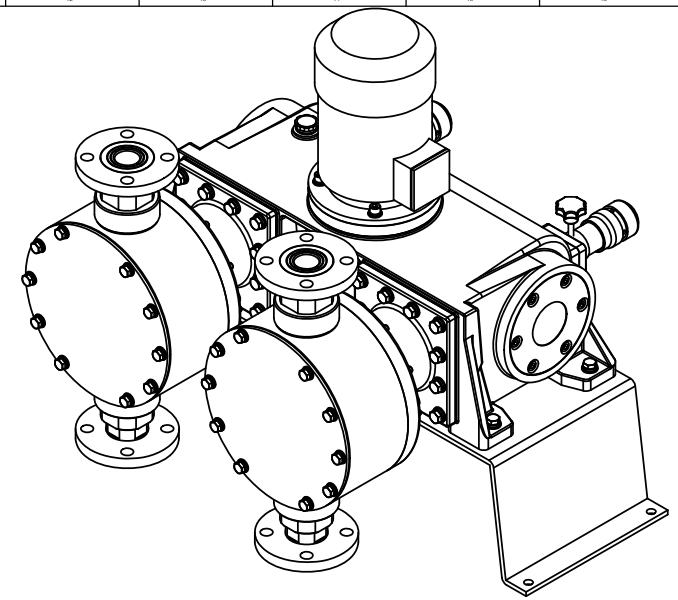
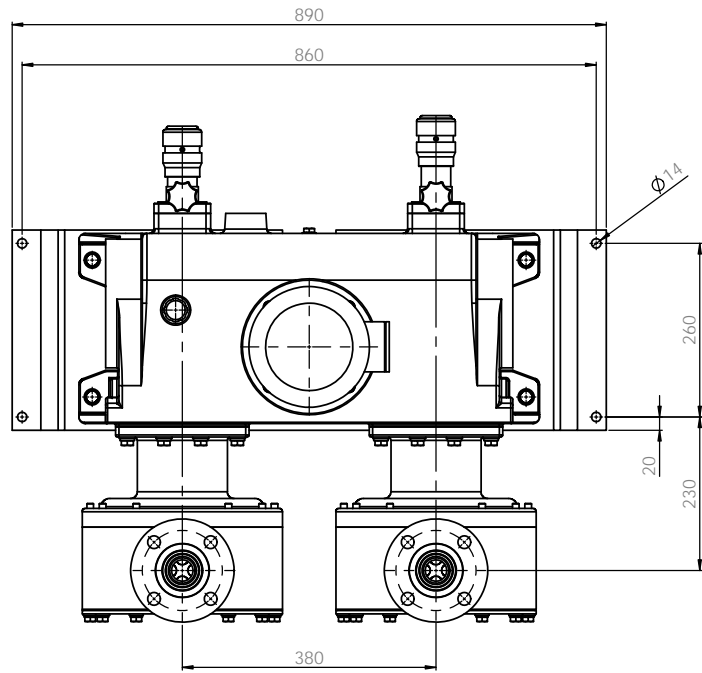


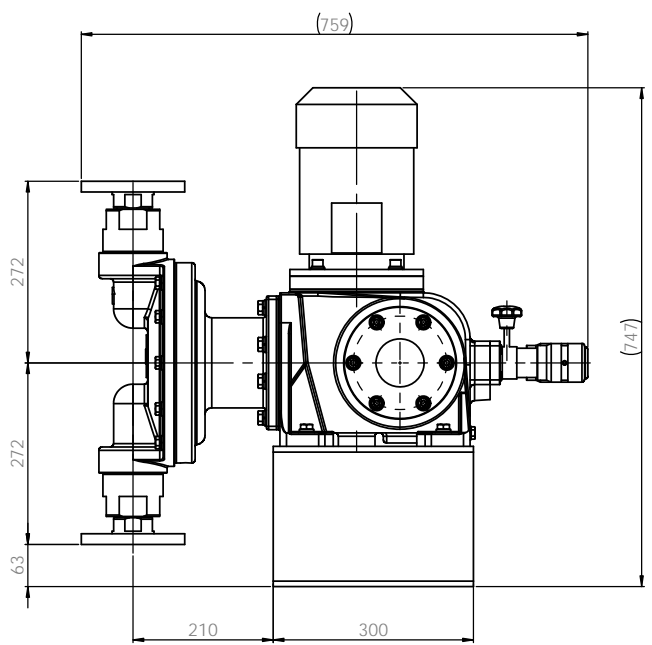
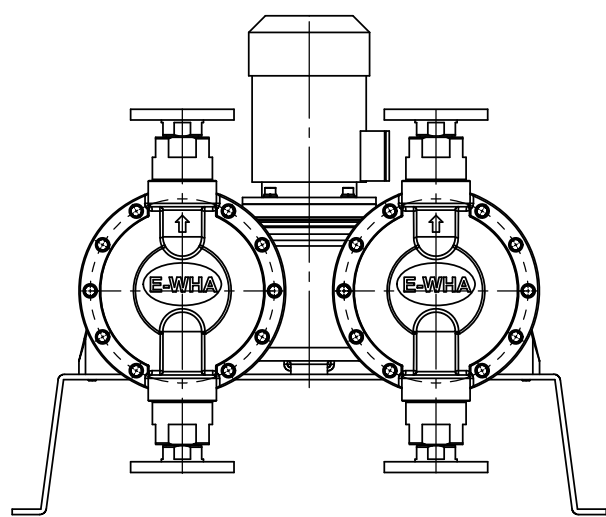
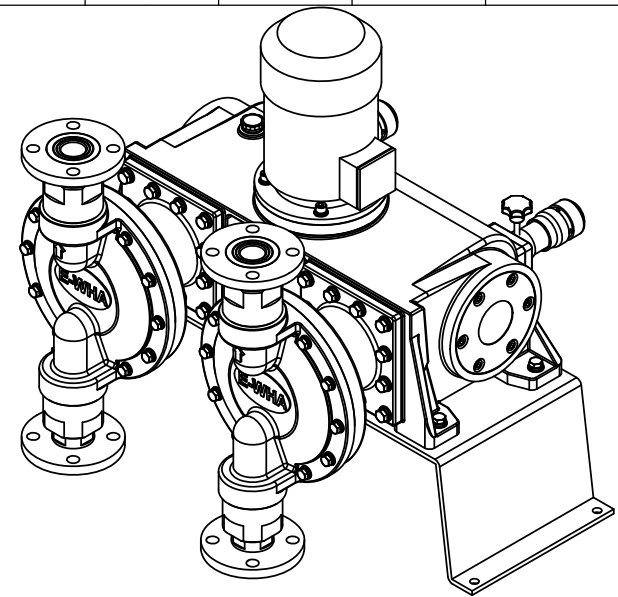
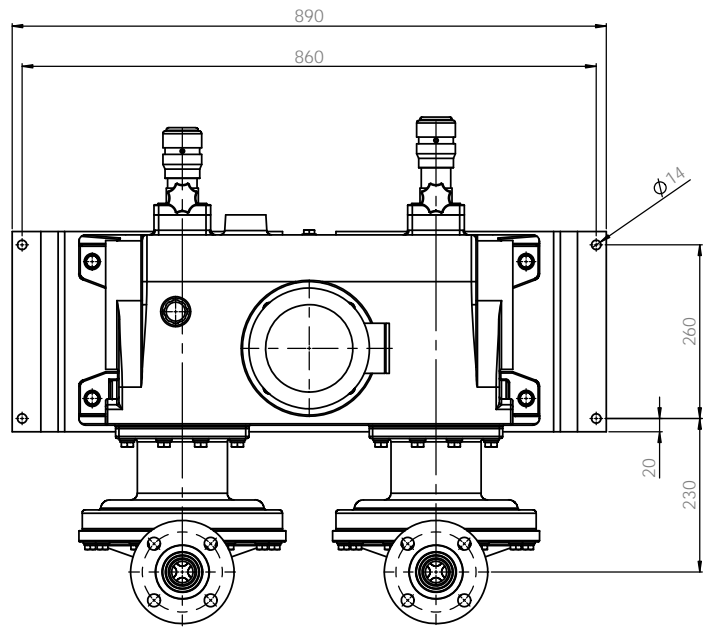
Note
 1. Model : GULD100L
 2. Material : PP / PVdF
 3. Connection : Flange

| | | | | | | | |
|--|--------------------|--|--------------------|----------------------|--------------------------|---|--|
| ALL DIMENSIONS SPECIFIED DIMENSIONI ANG. IN MILIMETRI UNLESS OTHERWISE SPECIFIED | | DIMENSIONS UNLESS OTHERWISE SPECIFIED | | DO NOT SCALE DRAWING | | REVISION | |
| DRAWN W. PARK | DATE 2020.02.21 | CHECKED W. PARK | DATE 2020.02.21 | MATERIAL PVC | DIM. NO. AH1000E1010B | E-WHA CHEMICAL FEEDER CO., LTD. PUMP ASSEMBLY-DIM GULD100LPCF-KS 10K 50A FF | |
| DESIGNED S.C. KAP | DATE 2020.02.21 | APPROVED S.C. KAP | DATE 2020.02.21 | SCALE 1:1 | SHEET NO. A1 | SHEET 1 OF 1 | |



Note
 1. Model : GULD100L
 2. Material : PTFE
 3. Connection : Flange

| | | | | | | | | |
|--|--|--|--|--|--|---|--|-----------------------------|
| ALL DIMENSIONS SPECIFIED UNLESS OTHERWISE SPECIFIED DIMENSIONS ARE IN MILLIMETERS UNLESS INDICATED OTHERWISE | | | | FINISH BRASS AND BRASS SHARP EDGE | | DO NOT SCALE DRAWING | | REVISION |
| DRAWN : W. PARK CHECKED : W. PARK APPROVED : S.C. KIM DATE : 2020.02.21 DATE : 2020.02.21 DATE : 2020.02.21 | | | | DESIGNED : DATE : | | E-WHA CHEMICAL FEEDER CO., LTD. PUMP ASSEMBLY-DIM GULD100LTCF-KS 10K 50A FF | | SHEET NO. : A1 |
| MATERIAL : PTFE | | | | | | SHEET NO. : AH1004E1010B | | SCALE : 1:1 SHEET 1 OF 1 |



Note
 1. Model : GULD100L
 2. Material : Stainless steel
 3. Connection : Flange

| | | | | | | | |
|--|----------|-----------------|----------|----------------------|--|---------------------------------|--|
| ALL DIMENSIONS SPECIFIED IN MILLIMETERS UNLESS OTHERWISE SPECIFIED | | DIN EN ISO 2768 | | DO NOT SCALE DRAWING | | REVISION | |
| TOLERANCES UNLESS OTHERWISE SPECIFIED | | FINISH | | SCALE | | E-WHA CHEMICAL FEEDER CO., LTD. | |
| DATE | BY | DATE | BY | SCALE | | | |
| 2020.02.21 | W. PARK | 2020.02.21 | W. PARK | | | | |
| 2020.02.21 | W. PARK | 2020.02.21 | S.C. KIM | | | | |
| 2020.02.21 | S.C. KIM | 2020.02.21 | | | | | |
| MATERIAL | | SUS304 | | DWG. NO. | | AH1201E1010B | |
| SCALE | | 1:1 | | SHEET | | 1 OF 1 | |