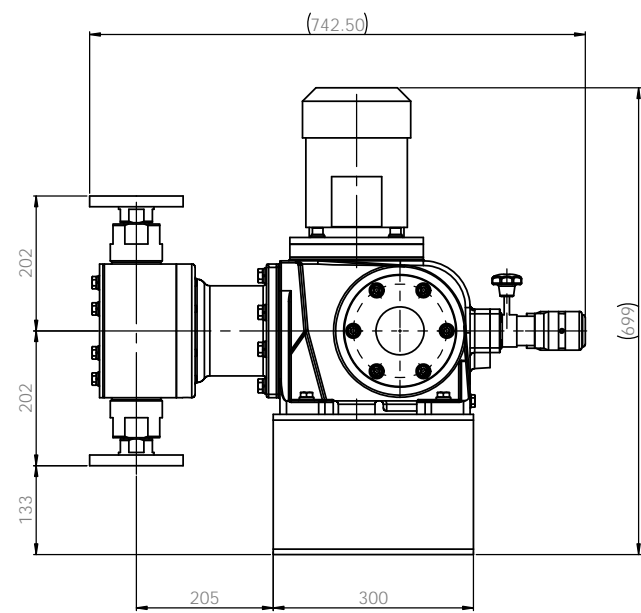
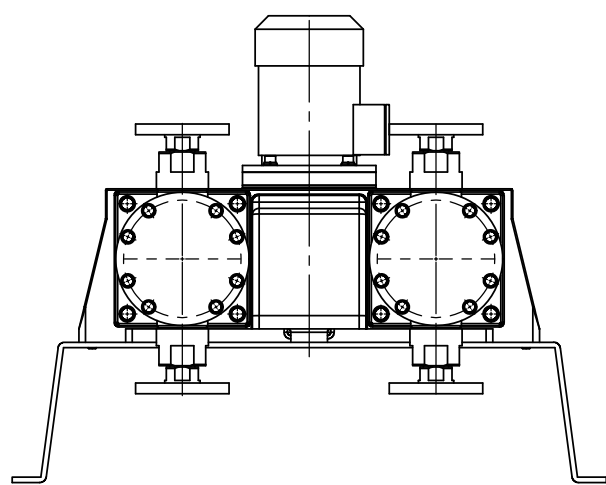
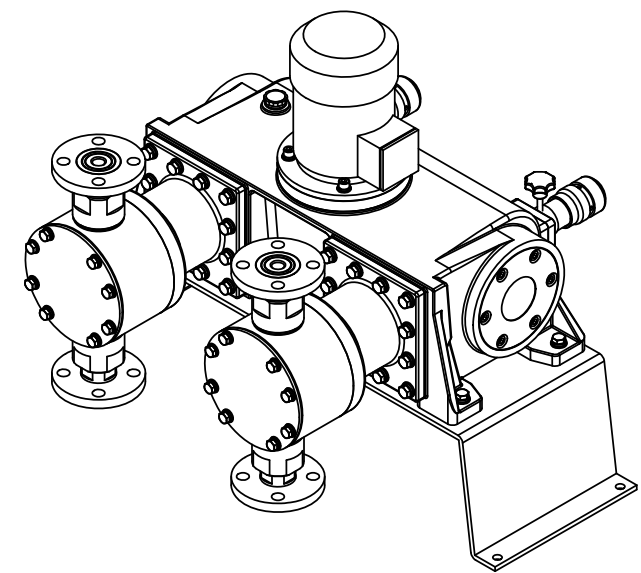
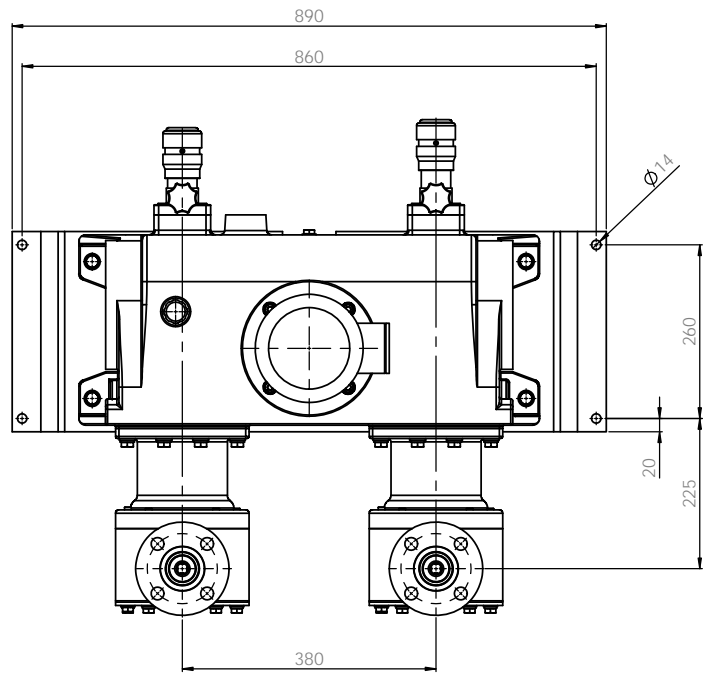


Note
 1. Model : GULD20L
 2. Material : PP / PVdF
 3. Connection : Flange

ALL DIMENSIONS SPECIFIED UNLESS OTHERWISE SPECIFIED DIMENSIONS ARE IN MILLIMETERS TOLERANCES FINISH ANGULAR		FINISH BRASS AND BRASS SHARP EDGE	DO NOT SCALE DRAWING REVISION
DRAWN W. PARK CHECKED W. PARK APPROVED S.C. KAP DATE 2020.02.21 2020.02.21 2020.02.22	DESIGNED S.C. KAP DATE 2020.02.22	MATERIAL PVC	E-WHA CHEMICAL FEEDER CO., LTD. PUMP ASSEMBLY-DIM GULD20LPCF-KS 10K 40A FF DIMC NO. AH1000E1002C SCALE 1:1 SHEET 1 OF 1



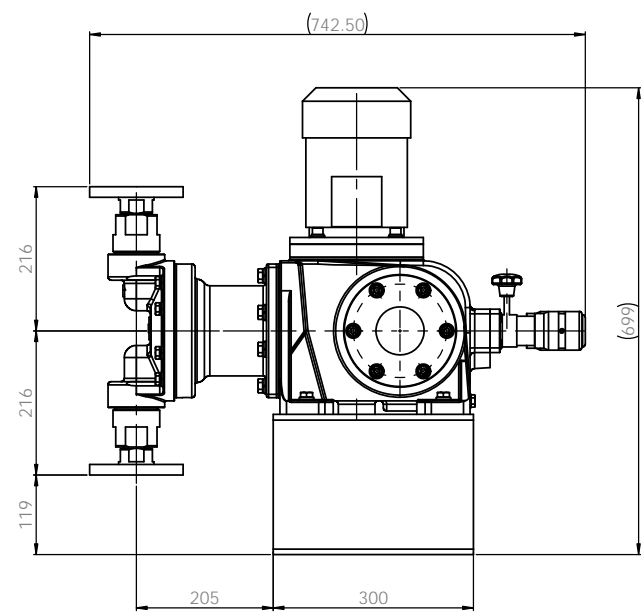
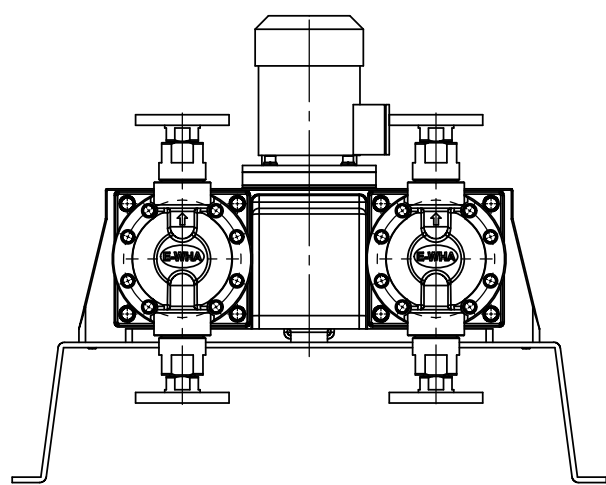
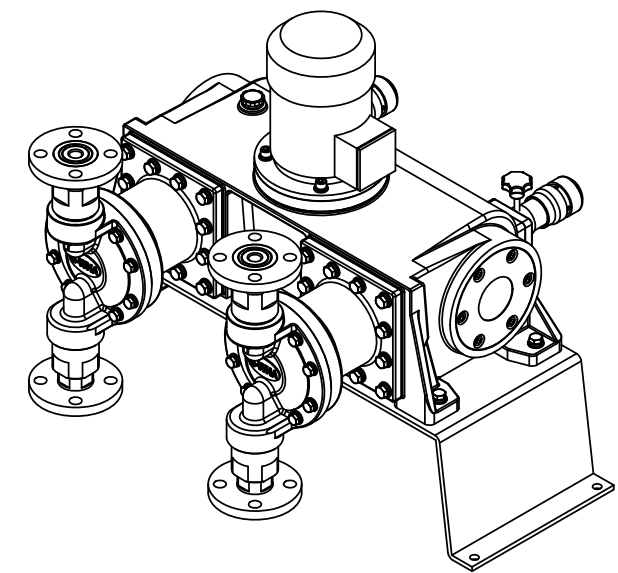
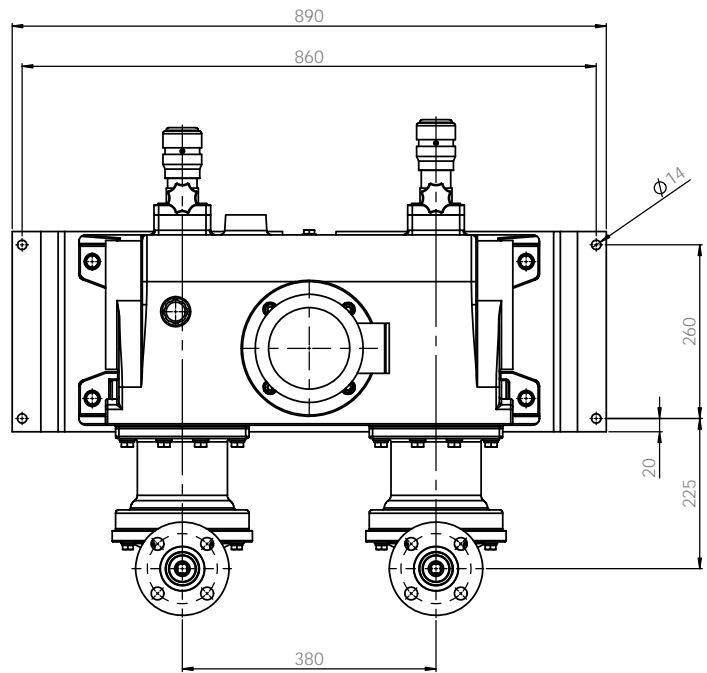
Note
 1. Model : GULD20L
 2. Material : PTFE
 3. Connection : Flange

ALL DIMENSIONS SPECIFIED UNLESS OTHERWISE SPECIFIED DIMENSIONS ARE IN MILLIMETERS		FINISH		EDGE AND BREAK SHARP ENDS		DO NOT SCALE DRAWING		REVISION	
DATE	BY	DATE	BY	DATE	BY	DATE	BY	DATE	BY
2020.02.21	W. PARK	2020.02.21	W. PARK	2020.02.21	S.C. KIM				
2020.02.21	W. PARK	2020.02.21	W. PARK	2020.02.21	S.C. KIM				
2020.02.21	S.C. KIM	2020.02.21	S.C. KIM	2020.02.21	S.C. KIM				
D.W.		MATERIAL		PTFE		DWG NO.		AH1004E1002C	
SCALE 1:1		SHEET 1 OF 1							

E-WHA CHEMICAL FEEDER CO., LTD.

PUMP ASSEMBLY-DIM
 GULD20LTCF-KS 10K 40A FF

A1



Note
 1. Model : GULD20L
 2. Material : Stainless steel
 3. Connection : Flange

ALL DIMENSIONS SPECIFIED UNLESS OTHERWISE SPECIFIED DIMENSIONS ARE IN MILLIMETERS UNLESS OTHERWISE SPECIFIED ANGULAR		FINISH BRASS AND BRASS SHARP EDGE	DO NOT SCALE DRAWING REVISION
DRAWN W. PAKK	CHECKED W. PAKK	DATE 2020.02.21	PROJECT NO. 2020.02.21
APPROVED S.C. KHA	DATE 2020.02.21	MATERIAL SUS304	DRAWING NO. AH1201E1002C
E.I.A.	REVISION	SCALE 1:1	SHEET 1 OF 1

E-WHA CHEMICAL FEEDER CO., LTD.

PUMP ASSEMBLY-DIM
 GULD20LS4S4F-KS 10K 40A FF

A1