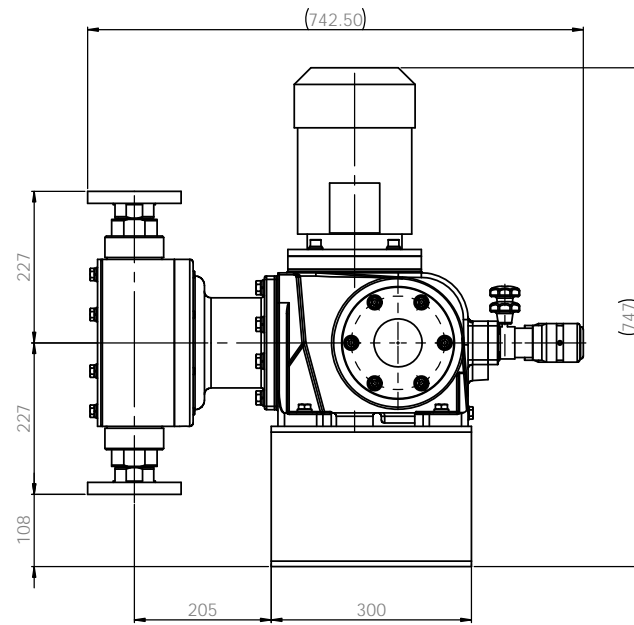
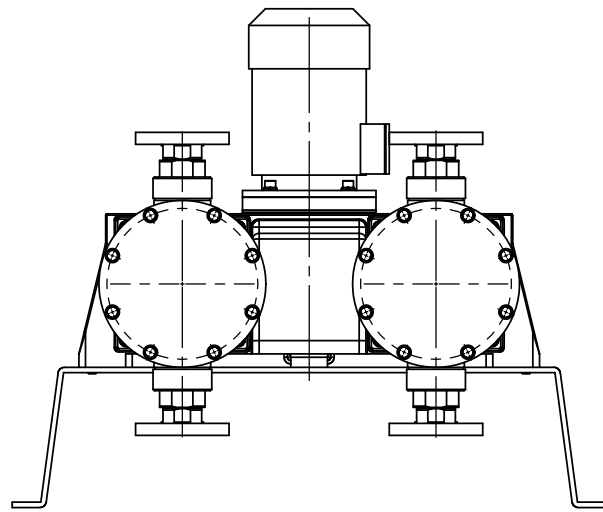
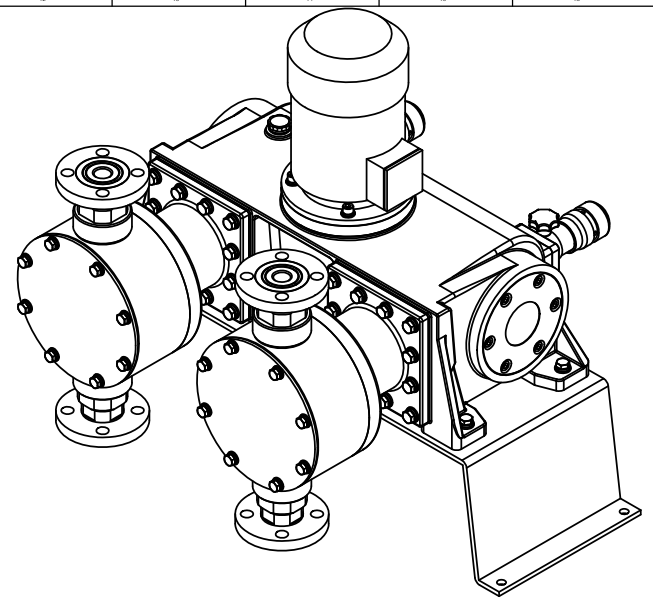
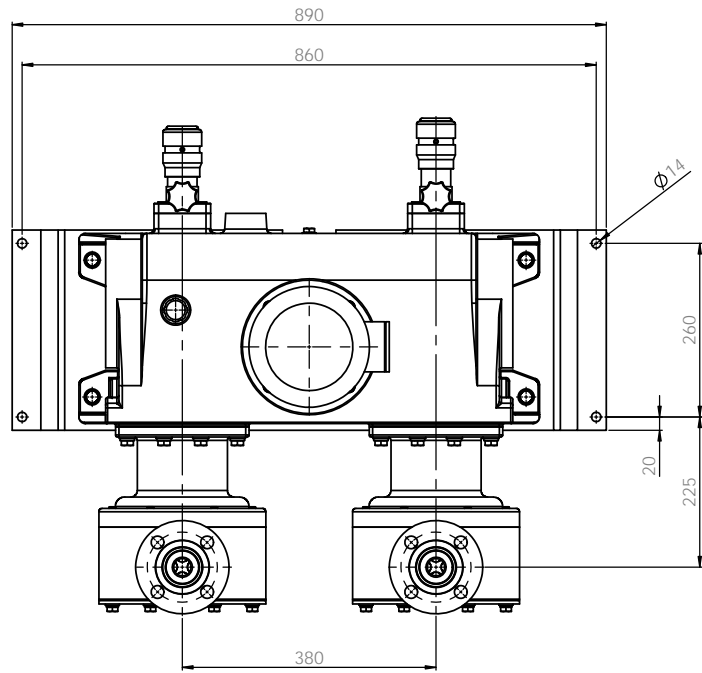


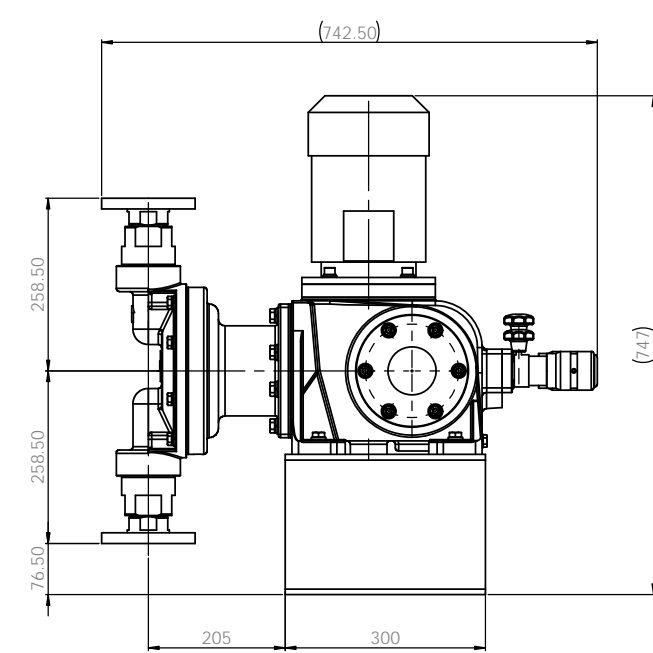
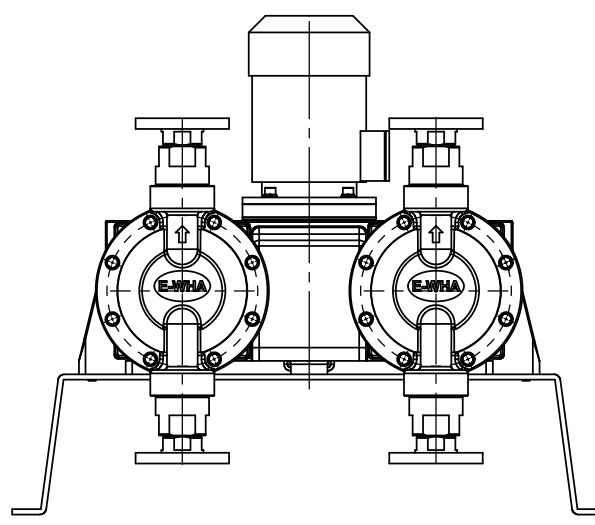
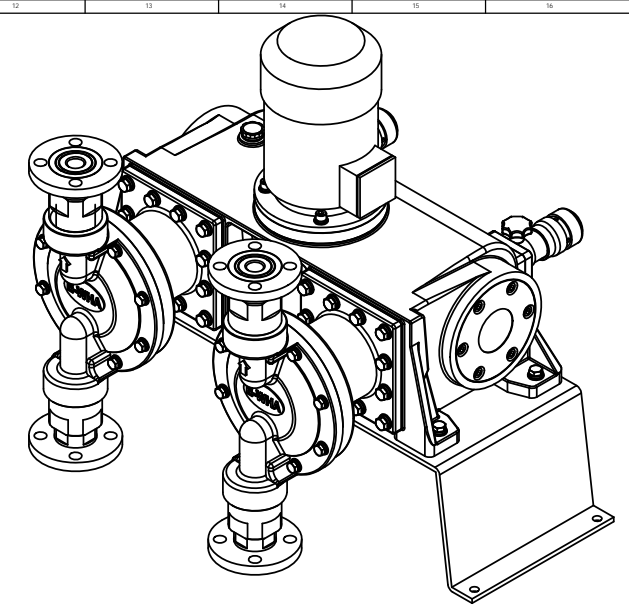
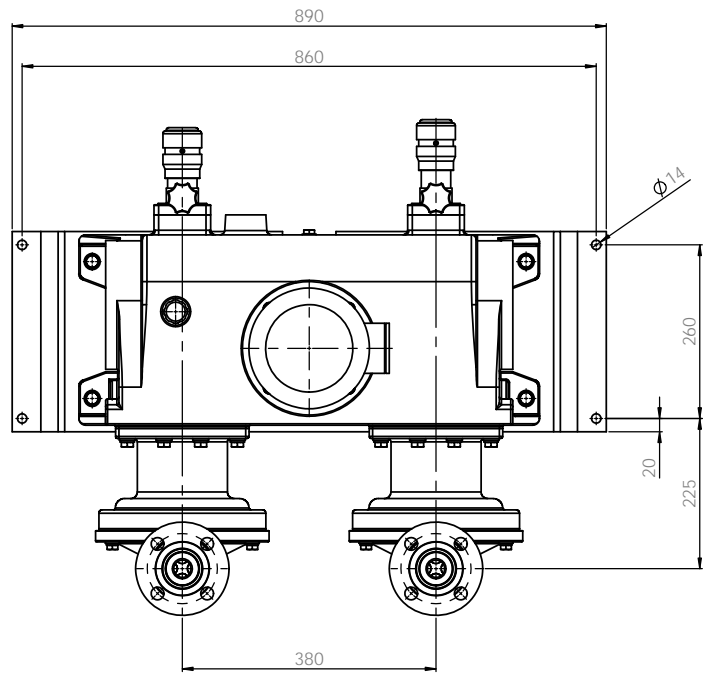
Note
 1. Model : GULD40L
 2. Material : PP / PVdF
 3. Connection : Flange

ALL DIMENSIONS SPECIFIED UNLESS OTHERWISE SPECIFIED DIMENSIONS ARE IN MILLIMETERS TOLERANCES FINISH ANGULAR		FINISH BRASS AND BRASS SHARP EDGE	DO NOT SCALE DRAWING REVISION
DRAWN W. PARK CHECKED W. PARK APPROVED S.C. KAP DATE 2020.02.21 2020.02.21 2020.02.21	DESIGNED S.C. KAP DATE 2020.02.21	MATERIAL PVC	E-WHA CHEMICAL FEEDER CO., LTD. PUMP ASSEMBLY-DIM GULD40LPCF-KS 10K 40A FF DWG NO. AH1000E1004A SCALE 1:1 SHEET 1 OF 1



Note
 1. Model : GULD40L
 2. Material : PTFE
 3. Connection : Flange

ALL DIMENSIONS SPECIFIED UNLESS OTHERWISE SPECIFIED DIMENSIONS ARE IN MILLIMETERS		FINISH		EDGE AND BREAK SHARP ENDS		DO NOT SCALE DRAWING		REVISION	
DATE	BY	DATE	BY	DATE	BY	DATE	BY	DATE	BY
2020.02.21	W. PARK	2020.02.21	W. PARK	2020.02.21	S.C. KIM				
2020.02.21	W. PARK	2020.02.21	W. PARK	2020.02.21	S.C. KIM				
2020.02.21	S.C. KIM	2020.02.21	S.C. KIM	2020.02.21	S.C. KIM				
2020.02.21	S.C. KIM	2020.02.21	S.C. KIM	2020.02.21	S.C. KIM				
MATERIAL		PTFE		DRAWING NO.		AH1004E1004A		A1	
SCALE 1:1		SHEET 1 OF 1		E-WHA CHEMICAL FEEDER CO., LTD.		PUMP ASSEMBLY-DIM		GULD40LTCF-KS 10K 40A FF	



Note
 1. Model : GULD40L
 2. Material : Stainless steel
 3. Connection : Flange

ALL DIMENSIONS SPECIFIED UNLESS OTHERWISE SPECIFIED DIMENSIONS ARE IN MILLIMETERS TOLERANCES FINISH ANGULAR		FINISH BRASS AND BRASS GRAB POLISH	DO NOT SCALE DRAWING REVISION
DRAWN: W. PAKK CHECK: W. PAKK APPROV: S.C. KHA DATE: 2020.02.21 DATE: 2020.02.21 DATE: 2020.02.21		E-WHA SUS304	E-WHA CHEMICAL FEEDER CO., LTD. PUMP ASSEMBLY-DIM GULD40LS4S4F-KS 10K 40A FF AH1201E1004A
SCALE: 1:1 SHEET 1 OF 1		MATERIAL: SUS304	SHEET NO: AH1201E1004A