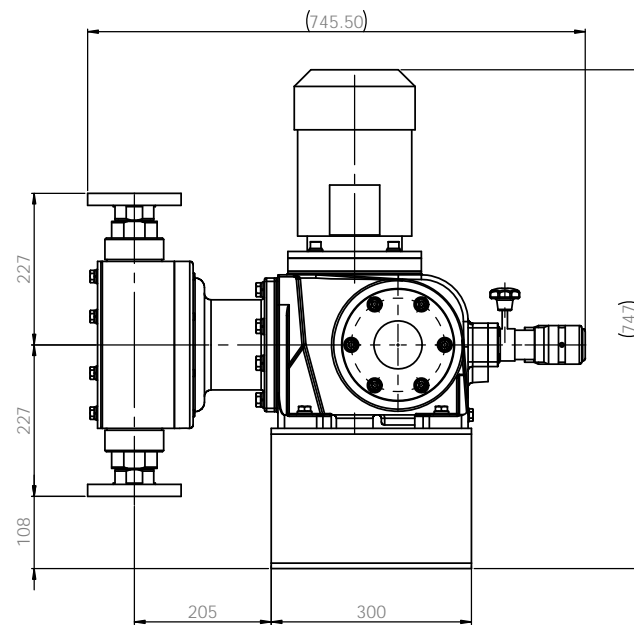
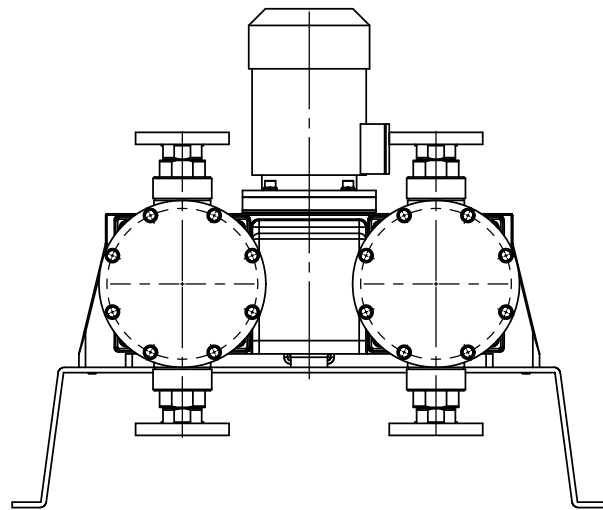
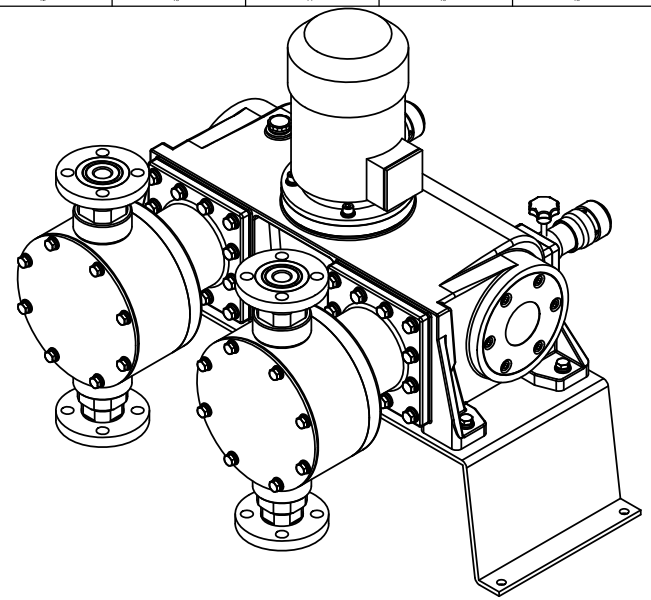
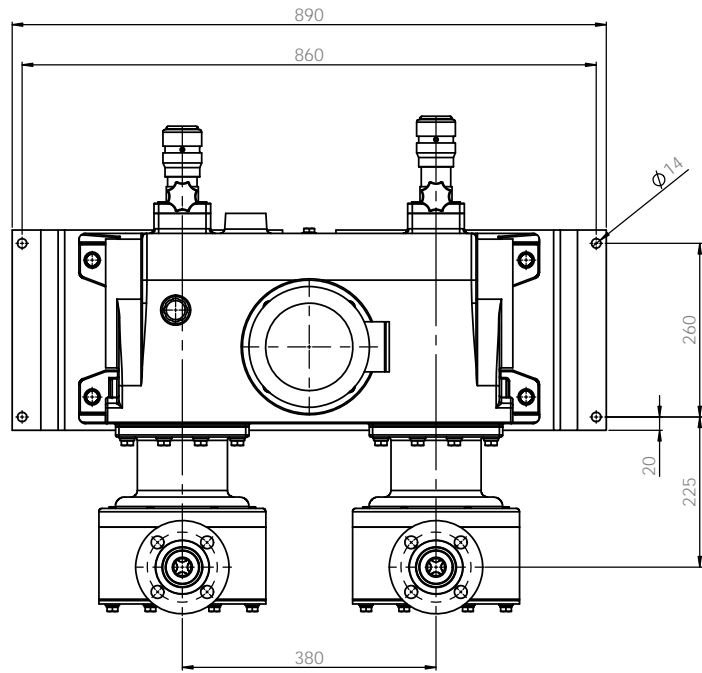


Note
 1. Model : GULD60L
 2. Material : PP / PVdF
 3. Connection : Flange

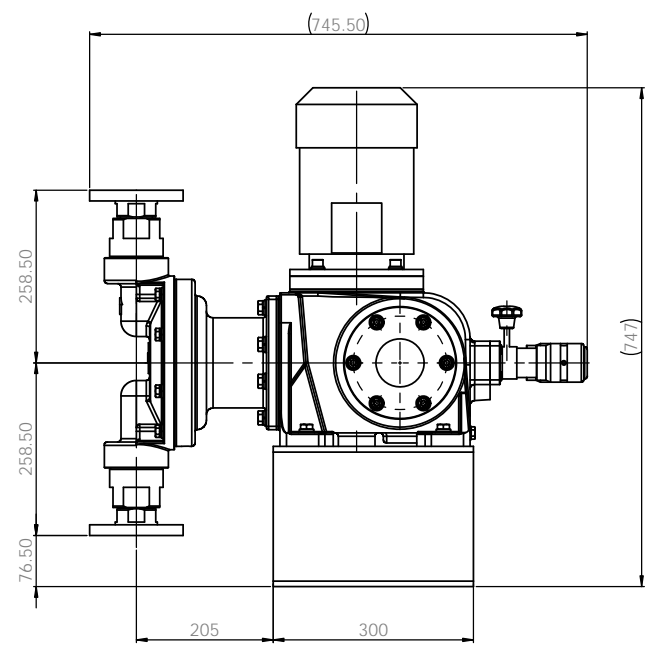
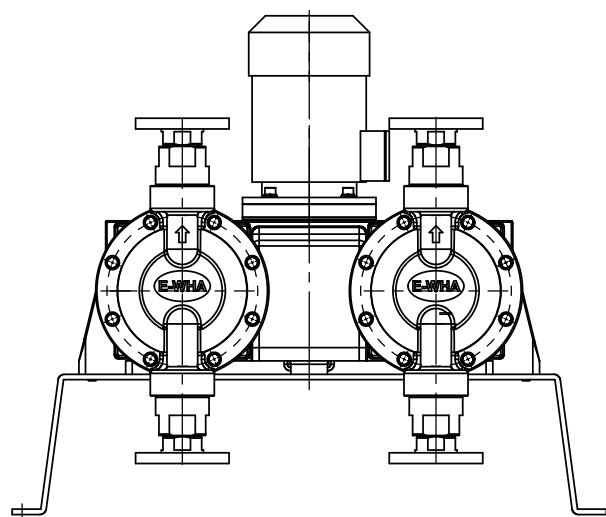
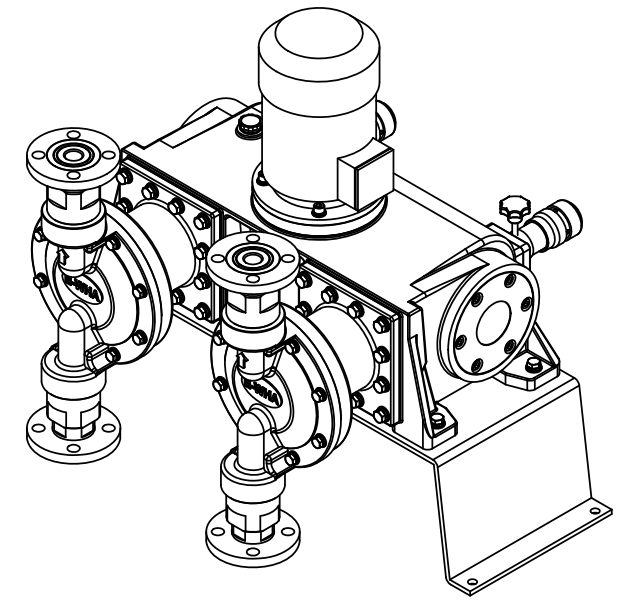
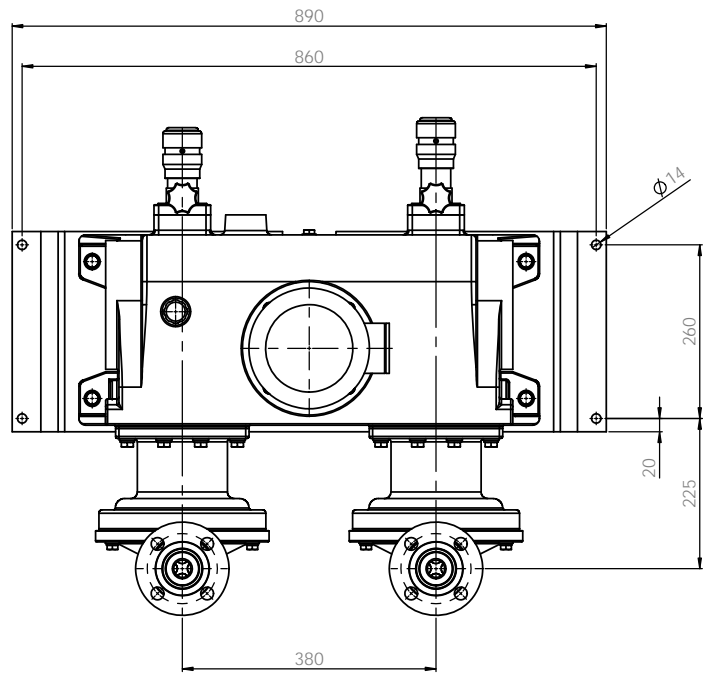
ALL DIMENSIONS SPECIFIED UNLESS OTHERWISE SPECIFIED DIMENSIONS ARE IN MILLIMETERS TOLERANCES: FINISH: ANGULAR		FINISH: BRASS AND BRASS SHARP EDGE	DO NOT SCALE DRAWING REVISION
DRAWN: W. PARK CHECK: W. PARK APPROV: S.C. KAP DATE: 2020.02.21 DATE: 2020.02.21 DATE: 2020.02.21	DESIGNED: W. PARK DATE: 2020.02.21	MATERIAL: PVC	E-WHA CHEMICAL FEEDER CO., LTD. PUMP ASSEMBLY-DIM GULD60LPCF-KS 10K 40A FF SHEET NO: AH1000E1006A SCALE: 1:1 SHEET 1 OF 1



Note
 1. Model : GULD60L
 2. Material : PTFE
 3. Connection : Flange

ALL DIMENSIONS SPECIFIED UNLESS OTHERWISE SPECIFIED DIMENSIONS ARE IN MILLIMETERS		FINISH		TOLERANCE AND BREAK SHARP EDGES		DO NOT SCALE DRAWING		REVISION	
TOLERANCE: HOLE: ANGULAR:									
DATE:	DATE:	DATE:	DATE:	DATE:	DATE:	DATE:	DATE:	DATE:	DATE:
DRWING: W. PARK	DESIGN/ISS: W. PARK	2020.02.21							
CHKD: W. PARK	2020.02.21								
APPROV: S.C. KIM	2020.02.21								
BY:									
DATE:									
		MATERIAL:		PTFE		DIMC NO:		AH1004E1006A	
		REQUIR:				SCALE: 1:1		SHEET 1 OF 1	

E-WHA CHEMICAL FEEDER CO., LTD.
 PUMP ASSEMBLY-DIM
 GULD60LTCF-KS 10K 40A FF



Note
 1. Model : GULD60L
 2. Material : Stainless steel
 3. Connection : Flange

ALL DIMENSIONS SPECIFIED UNLESS OTHERWISE SPECIFIED DIMENSIONS ARE IN MILLIMETERS TOLERANCES: FINISH: ANGULAR:		FINISH: BRUSH BRUSH GRAB POLISH	DO NOT SCALE DRAWING REVISION:
DRAWN: W. PARK CHECK: W. PARK APPROV: S.C. KIM DATE: 2020.02.21 2020.02.21 2020.02.21	TITLE: PUMP ASSEMBLY-DIM GULD60LS4S4F-KS 10K 40A FF	MATERIAL: SUS304	DRAWING NO: AH1201E1006A A1
SCALE: 1:1 SHEET 1 OF 1			