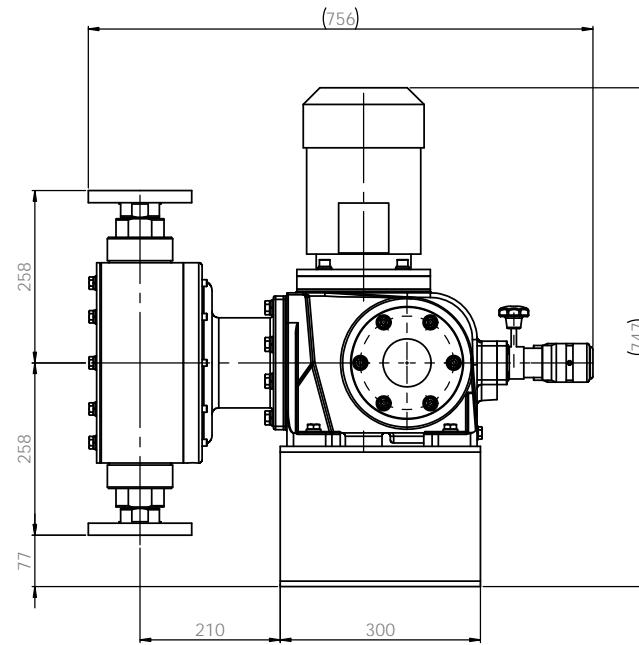
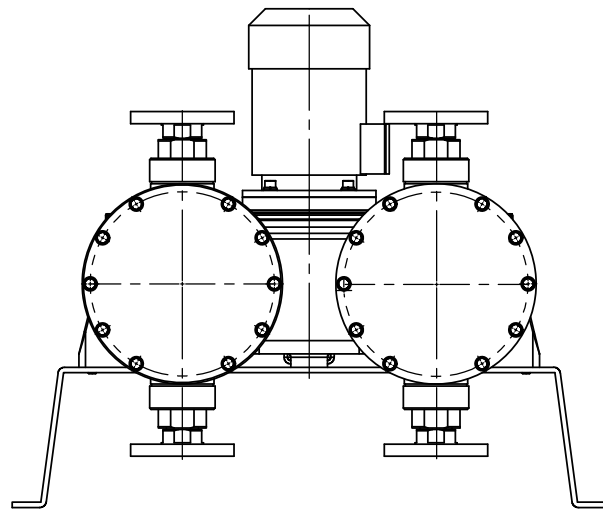
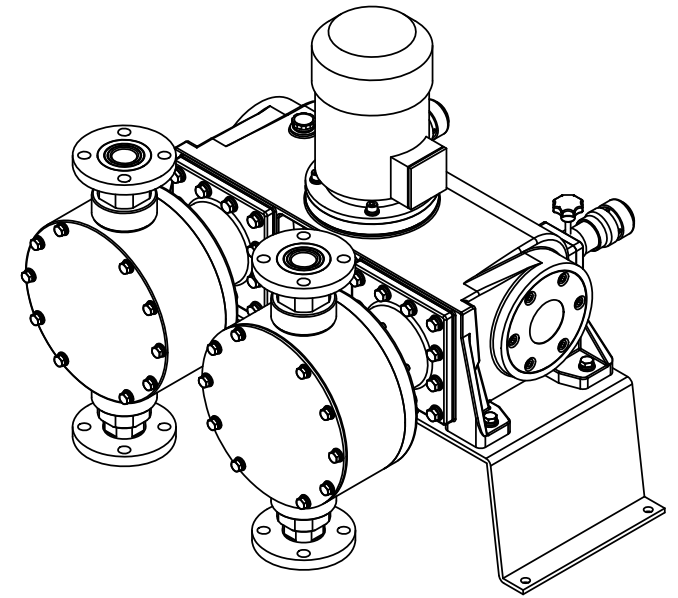
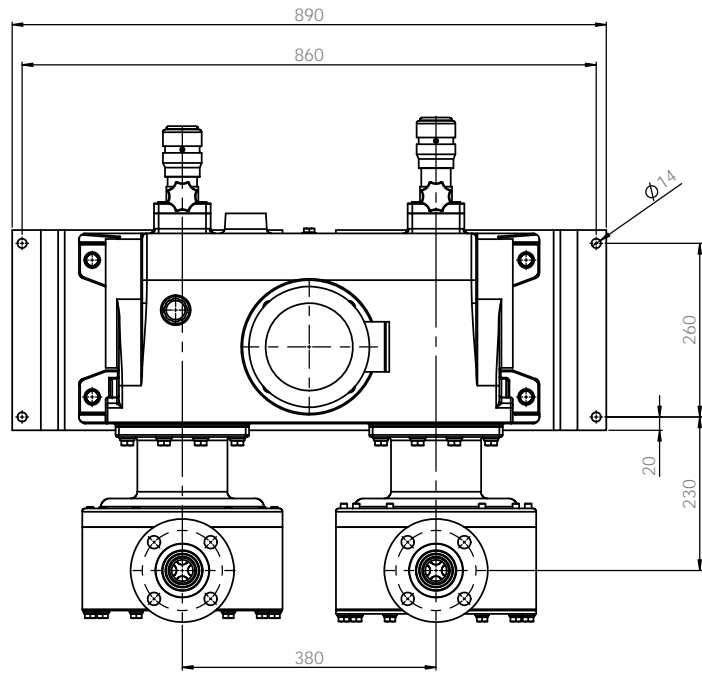


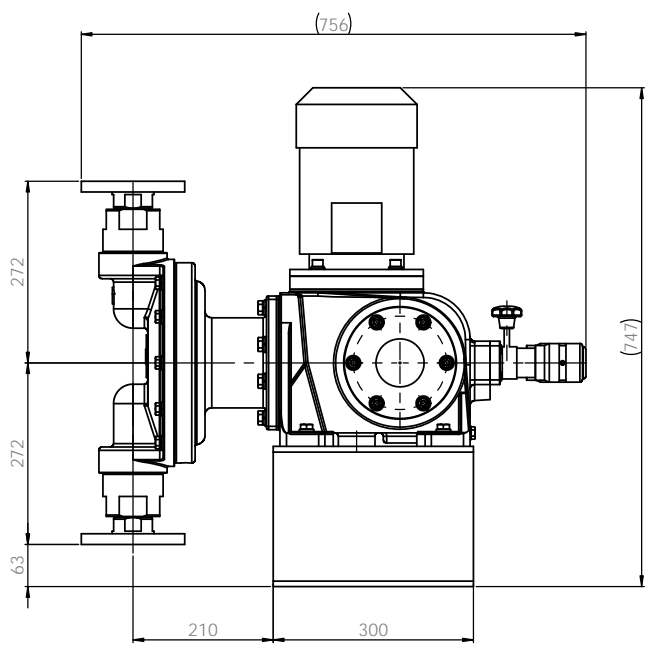
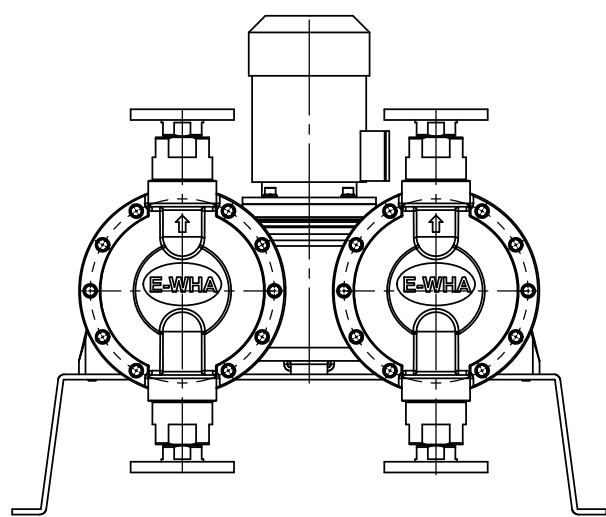
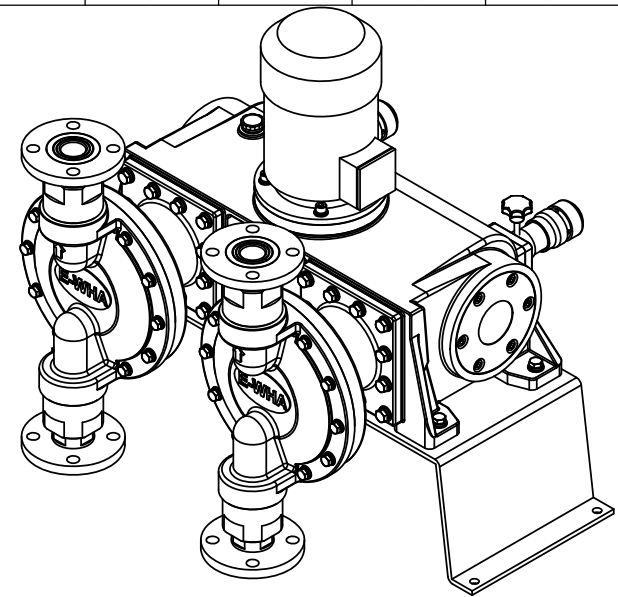
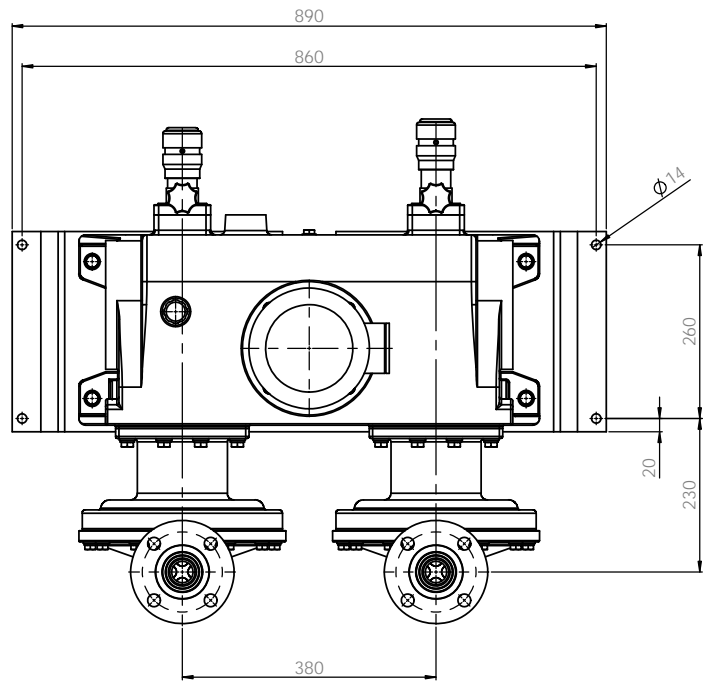
Note
 1. Model : GULD80L
 2. Material : PP / PVdF
 3. Connection : Flange

ALL DIMENSIONS SPECIFIED UNLESS OTHERWISE SPECIFIED DIMENSIONS ARE IN MILLIMETERS UNLESS INDICATED UNLESS ANGULAR		FINISH BRASS AND BRASS SHARP EDGE	DO NOT SCALE DRAWING REVISION
DRAWN W. PARK DATE 2020.02.21	CHECKED W. PARK DATE 2020.02.21	DESIGNED S.C. KIM DATE 2020.02.21	E-WHA CHEMICAL FEEDER CO., LTD. PUMP ASSEMBLY-DIM GULD80LPCF-KS 10K 50A FF
Dwg. No.		Material PVC	Dwg. No. AH1000E1008B
Scale 1:1		Sheet 1 of 1	



Note
 1. Model : GULD80L
 2. Material : PTFE
 3. Connection : Flange

ALL DIMENSIONS SPECIFIED UNLESS OTHERWISE SPECIFIED DIMENSIONS ARE IN MILLIMETERS UNLESS INDICATED OTHERWISE		FINISH BRASS AND BRASS SHARP EDGE	DO NOT SCALE DRAWING REVISION
DRAWN : W. PARK DATE : 2020.02.21	CHECKED : W. PARK DATE : 2020.02.21	DESIGNED BY : S.C. KIM DATE : 2020.02.21	E-WHA CHEMICAL FEEDER CO., LTD. PUMP ASSEMBLY-DIM GULD80LTCF-KS 10K 50A FF
MATERIAL : PTFE	DIMENSION : AH1004E1008B	SCALE : 1:1	SHEET : 1 OF 1



Note
 1. Model : GULD80L
 2. Material : Stainless steel
 3. Connection : Flange

ALL DIMENSIONS SPECIFIED UNLESS OTHERWISE SPECIFIED DIMENSIONS ARE IN MILLIMETERS UNLESS INDICATED OTHERWISE		FINISH BRASS AND BRASS SHARP POLISH	DO NOT SCALE DRAWING REVISION
DRAWN W. PAKK	DATE 2020.02.21	E-WHA SUS304	E-WHA CHEMICAL FEEDER CO., LTD.
CHECKED W. PAKK	DATE 2020.02.21	SUS304	PUMP ASSEMBLY-DIM GULD80LS4S4F-KS 10K 40A FF
APPROVED S.C. KHA	DATE 2020.02.21	SUS304	DWG NO. AH1201E1008B
D.L.A.	MATERIAL SUS304	DWG NO. AH1201E1008B	A1
REVISION	SCALE 1:1	SHEET 1 OF 1	