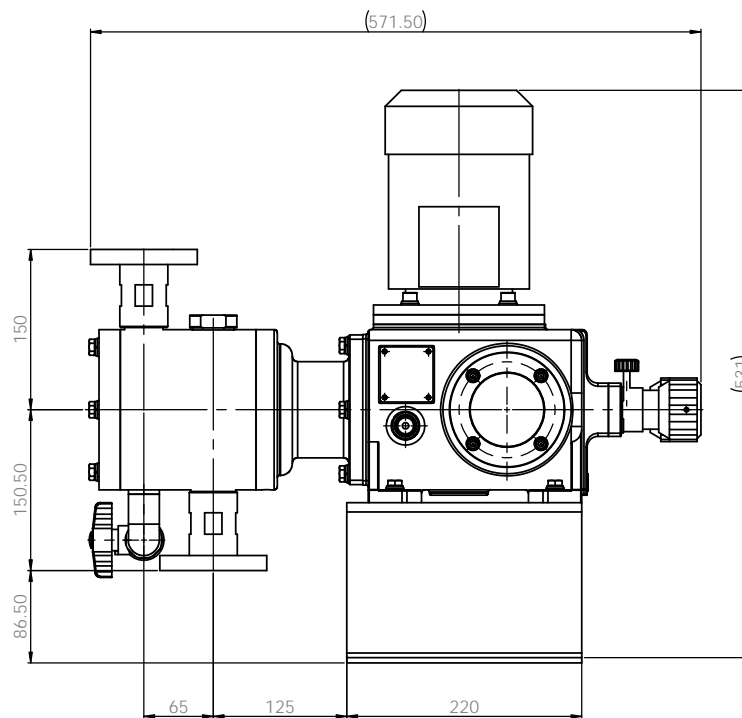
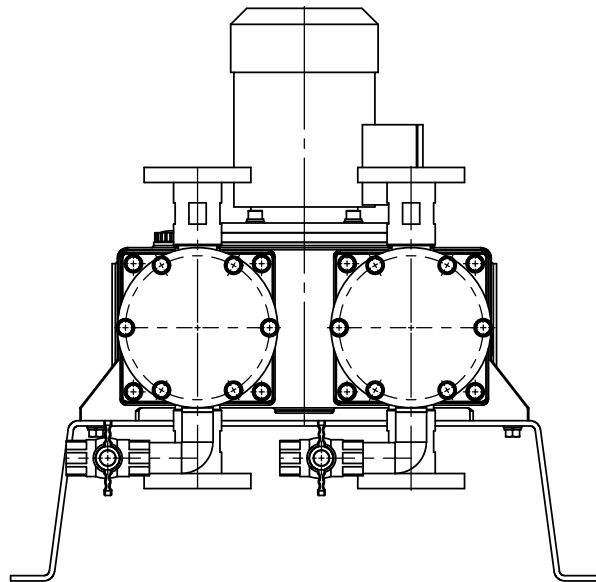
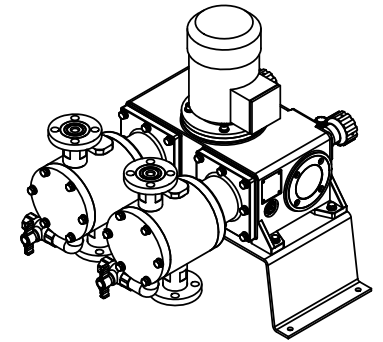
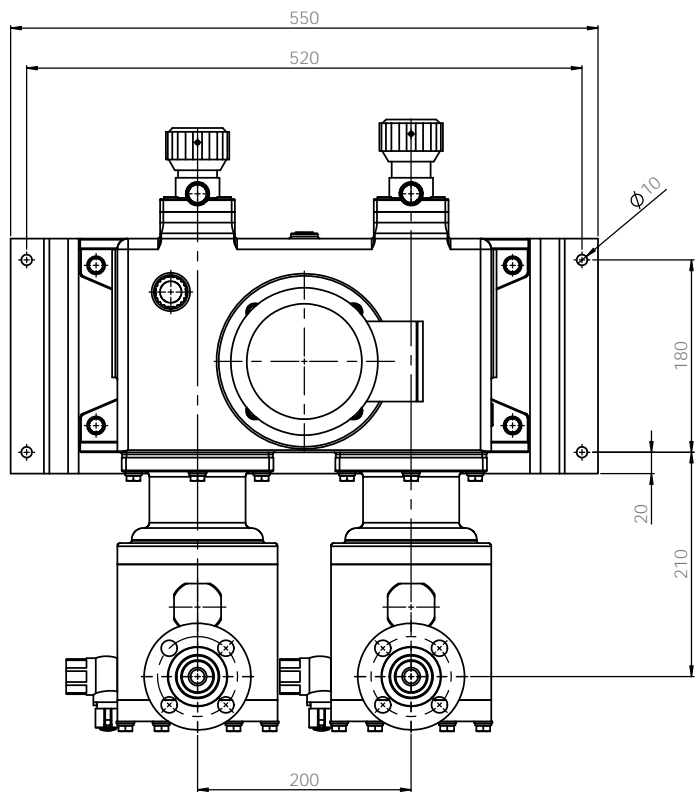


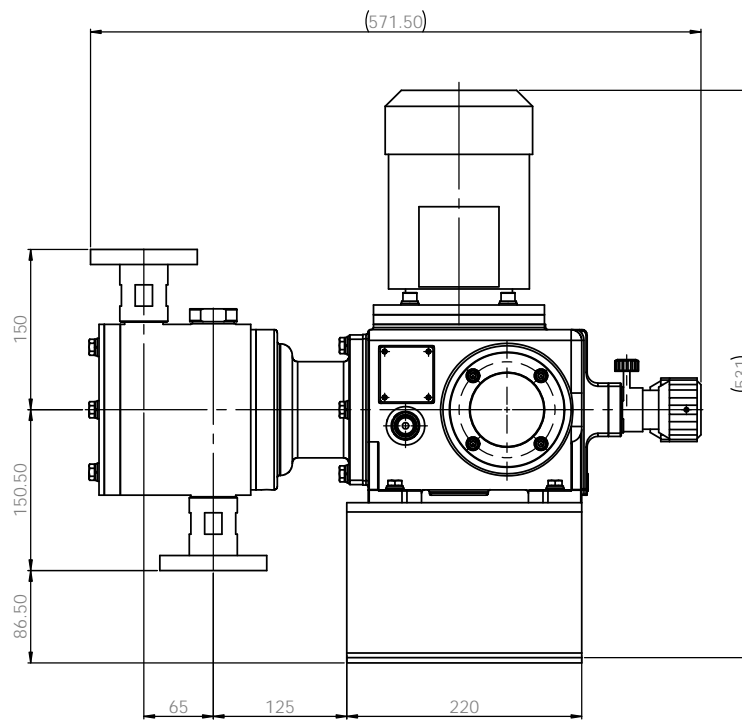
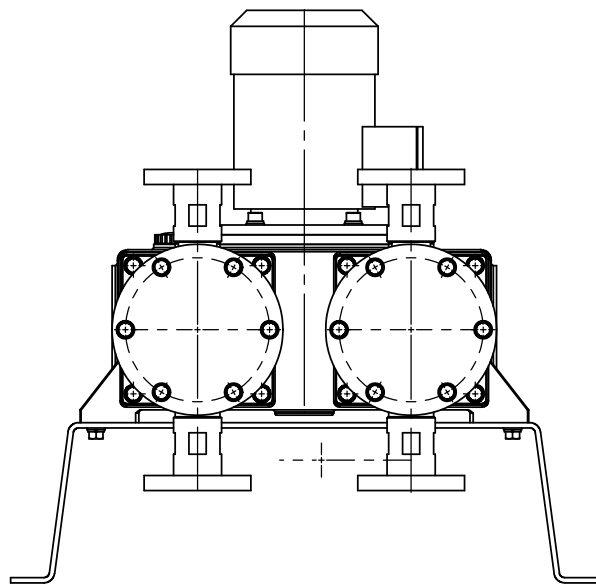
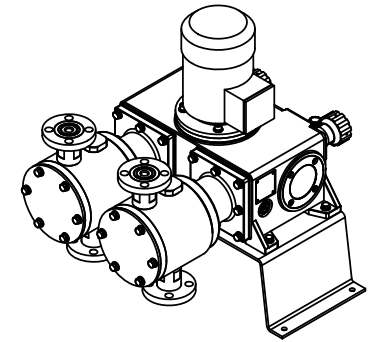
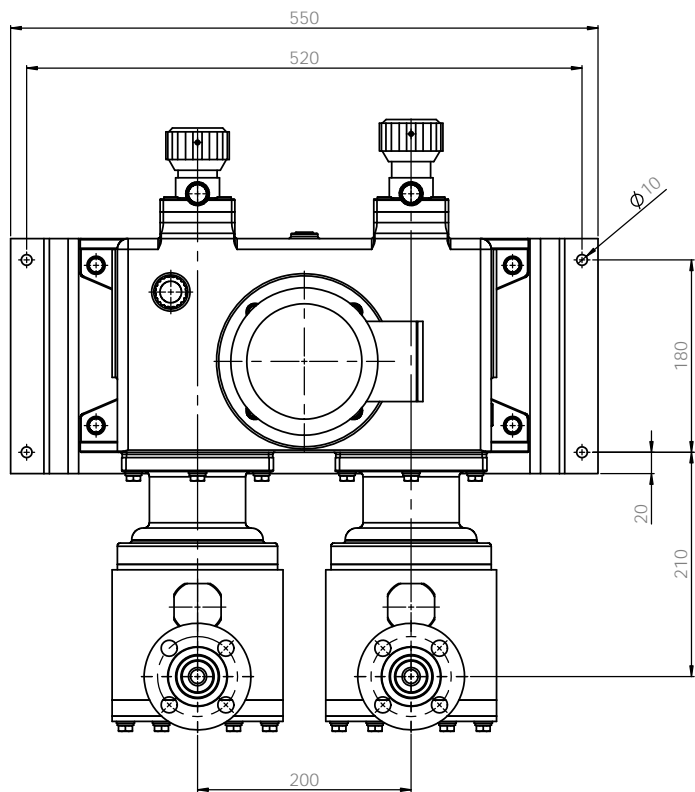
**Note**  
 1. Model : JUMD10L  
 2. Material : PP / PVdF  
 3. Connection : Flange  
 4. Drain valve : Not installed

PUMP ASSEMBLY SPECIFIED DIMENSIONS ARE IN MILLIMETERS UNLESS OTHERWISE SPECIFIED				SCALE AND BREAK SHARP EDGES		DO NOT SCALE DRAWING		REVISION
DATE	BY	CHKD	APPV	DATE	BY	CHKD	APPV	
2024.02.21	W. PAKH			2024.02.21				
2024.02.21	W. PAKH			2024.02.21				
2024.02.21	S.C. KHA			2024.02.21				
MATERIAL				PVC		DIM. NO.		AF1000E1039B
SCALE 1:1.5				SHEET 1 OF 1		E-WHA CHEMICAL FEEDER CO., LTD.		
PUMP ASSEMBLY-DIM				JUMD10LPCF-KS 10K 20A FF				



**Note**  
 1. Model : JUMD10L  
 2. Material : PP  
 3. Connection : Flange  
 4. Drain valve : Installed

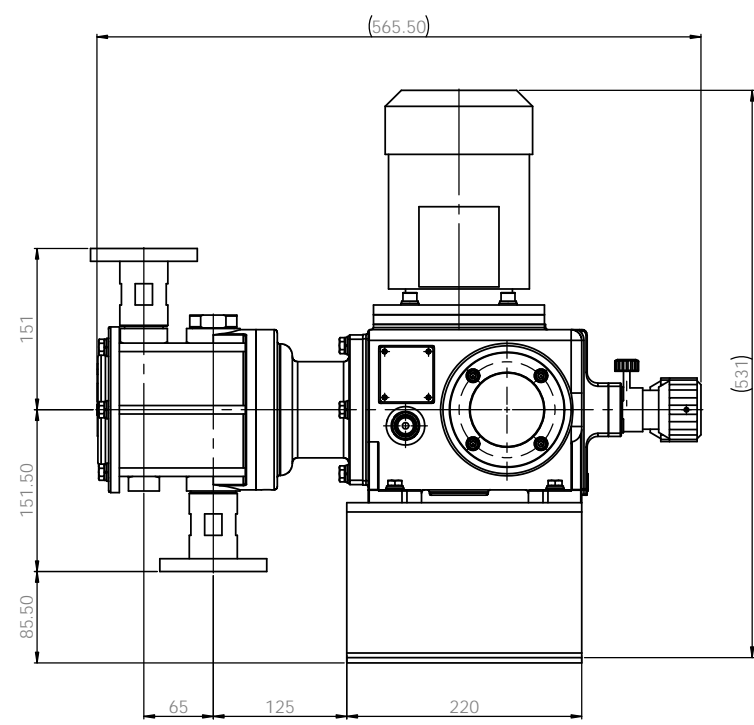
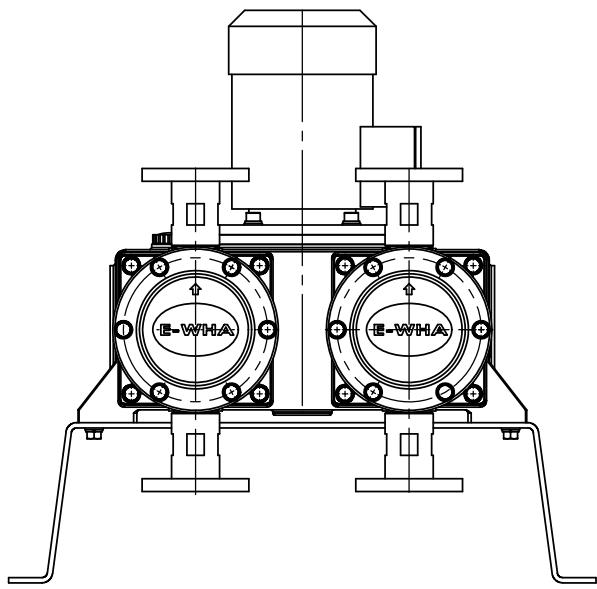
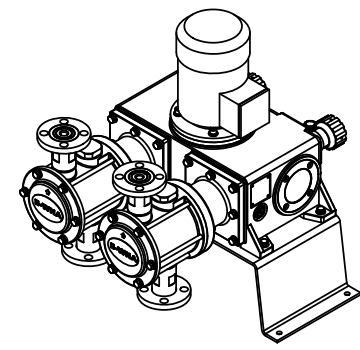
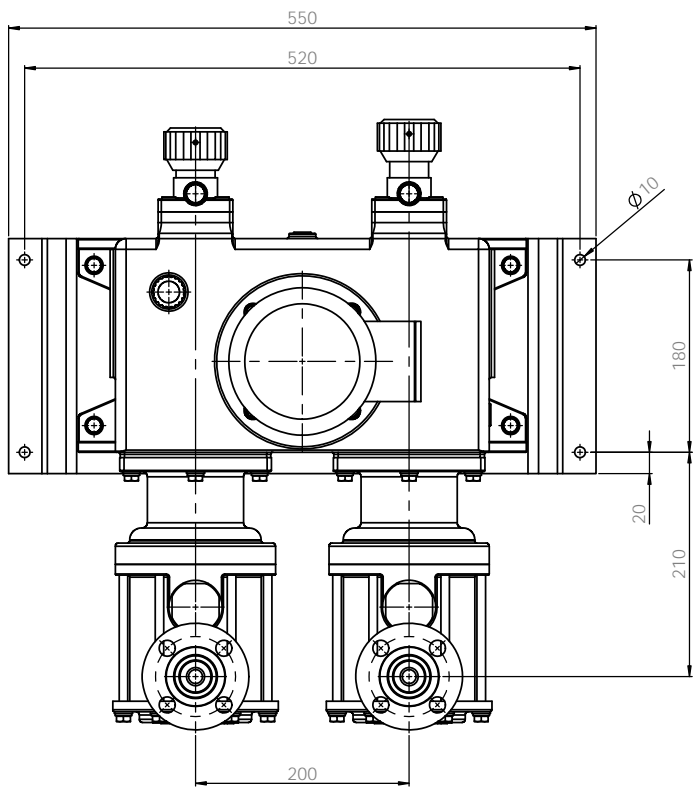
PUMP ASSEMBLY-DIM				E-WHA CHEMICAL FEEDER CO., LTD.	
JUMD10LPCFD-KS 10K 20A FF				PUMP ASSEMBLY-DIM	
AF1000E1040B				JUMD10LPCFD-KS 10K 20A FF	
PVC				AF1000E1040B	
SCALE 1:1.5				SHEET 1 OF 1	



**Note**

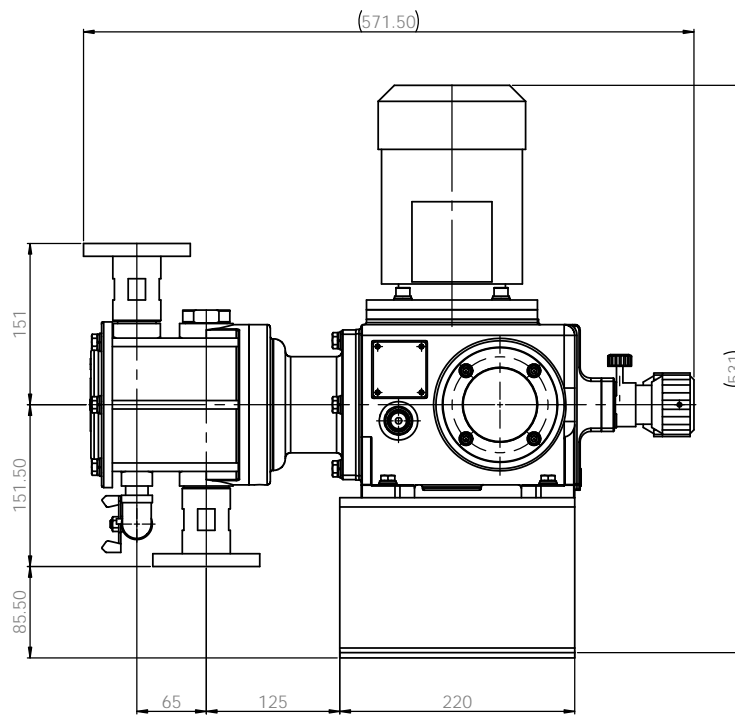
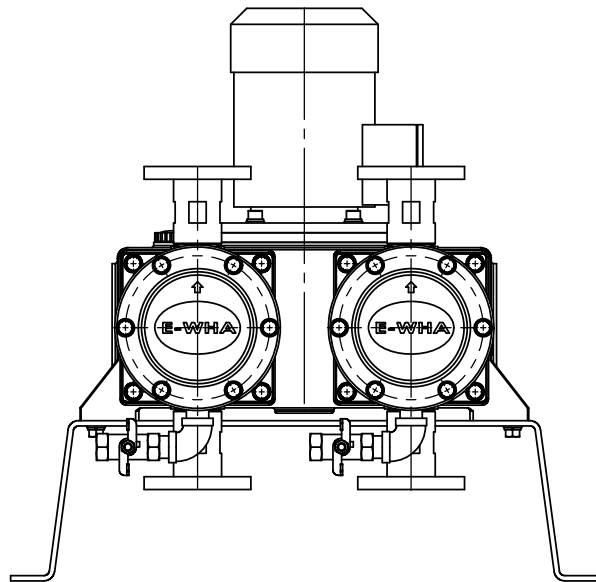
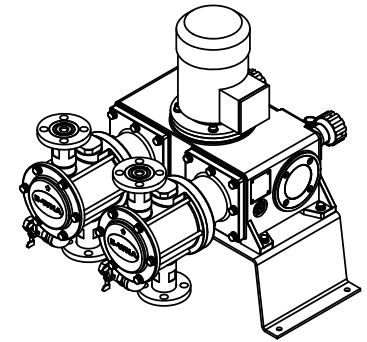
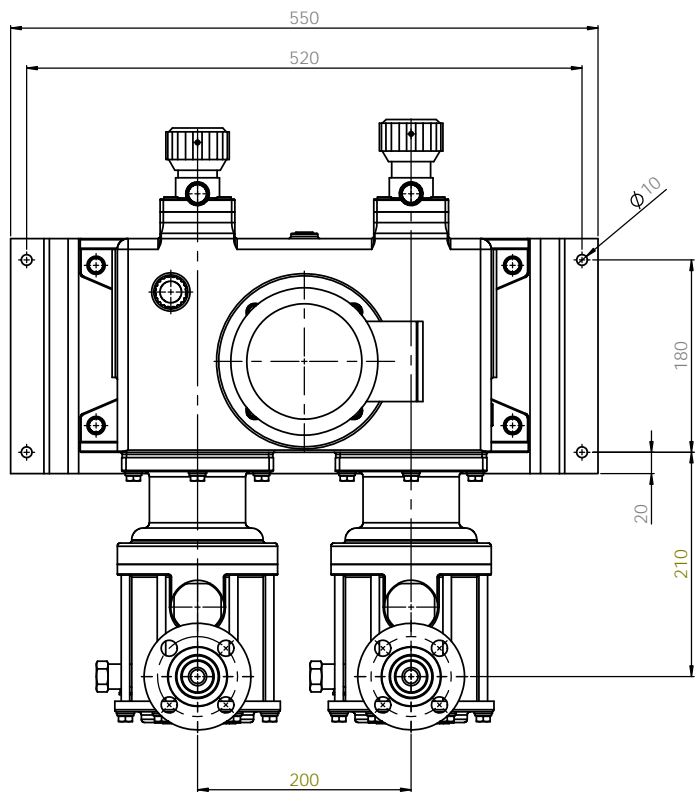
1. Model : JUMD10L
2. Material : PTFE
3. Connection : Flange
4. Drain valve : N / A

PUMP ASSEMBLY-DIM				E-WHA CHEMICAL FEEDER CO., LTD.	
JUMD10LTCF-KS 10K 20A FF				REVISION	
AF1004E1039B				A1	
PTFE				SCALE 1:1.5	
SHEET 1 OF 1				DO NOT SCALE DRAWING	
MATERIAL				REVISION	
PTFE				AF1004E1039B	
SHEET 1 OF 1				SCALE 1:1.5	
MATERIAL				REVISION	
PTFE				AF1004E1039B	
SHEET 1 OF 1				SCALE 1:1.5	



**Note**  
 1. Model : JUMD10L  
 2. Material : Stainless steel(Cast)  
 3. Connection : Flange  
 4. Drain valve : Not installed

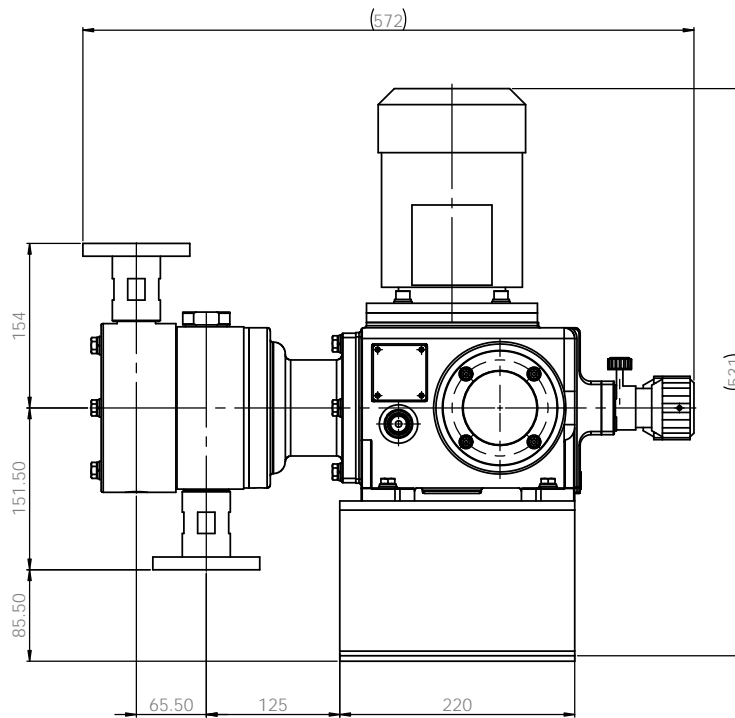
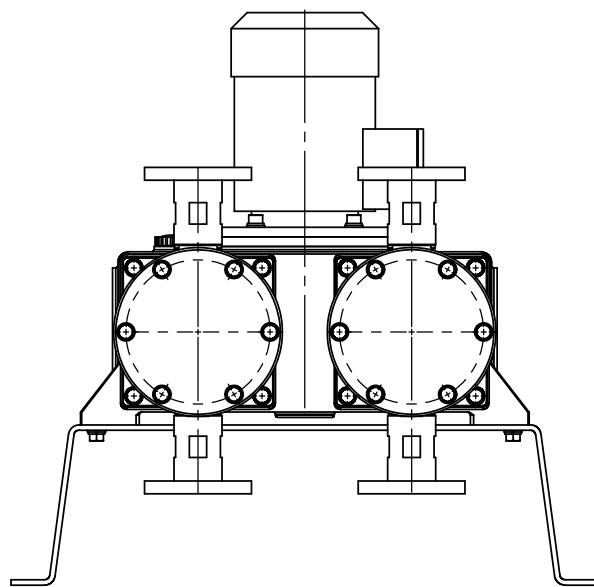
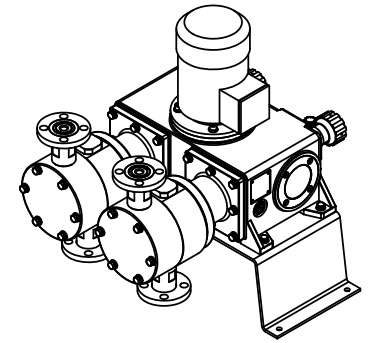
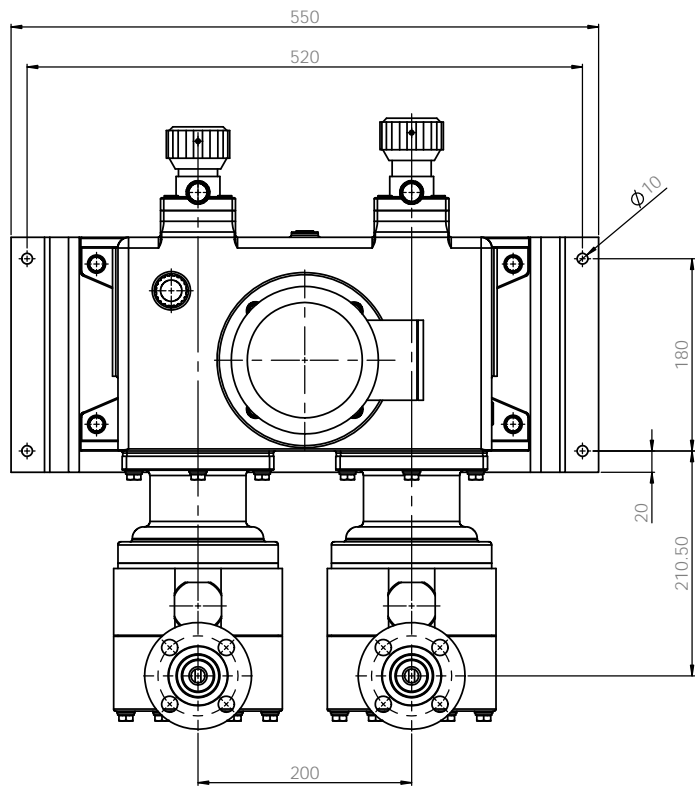
ALL DIMENSIONS SPECIFIED UNLESS OTHERWISE SPECIFIED DIMENSIONS ARE IN MILLIMETERS UNLESS INDICATED OTHERWISE				DO NOT SCALE DRAWING		REVISION
MATERIAL: SUS304				DRAWING NO. AF1201E1039B		A1
SCALE: 1:1				SHEET: 1 OF 1		



**Note**

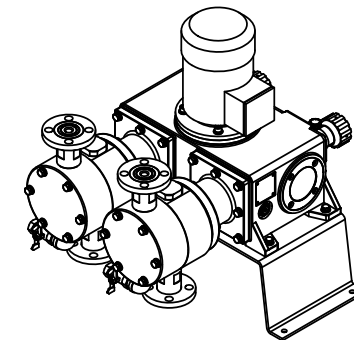
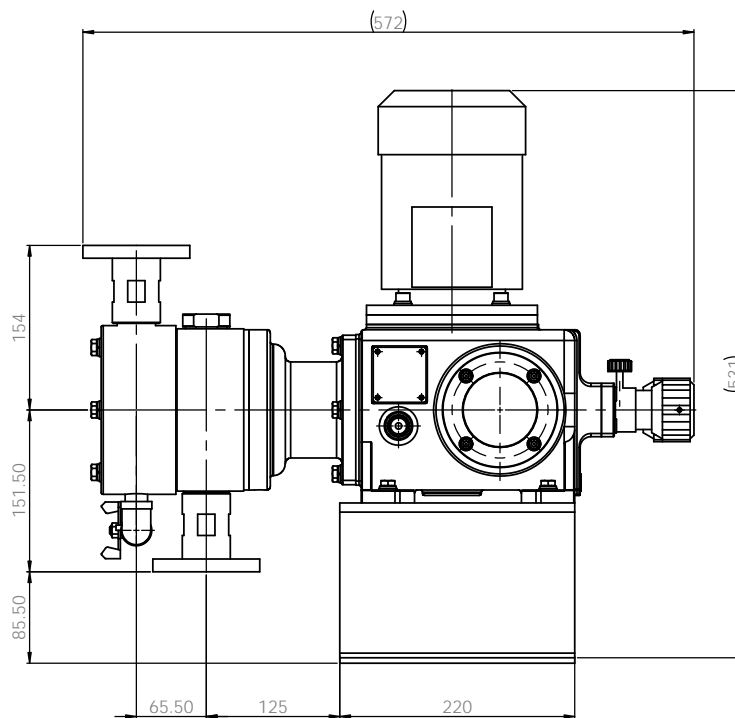
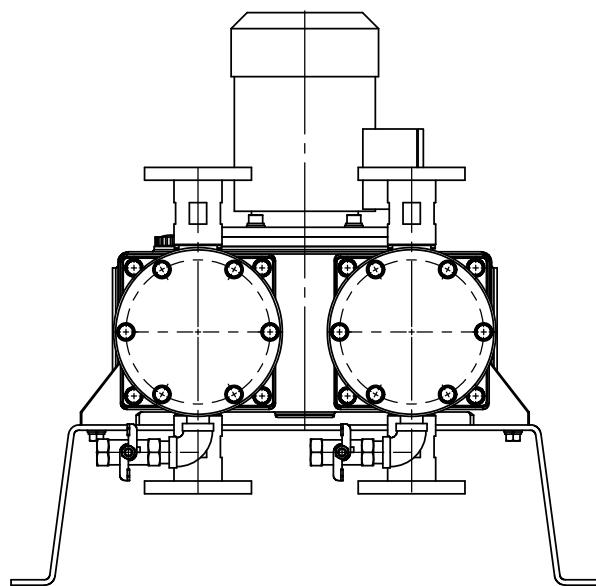
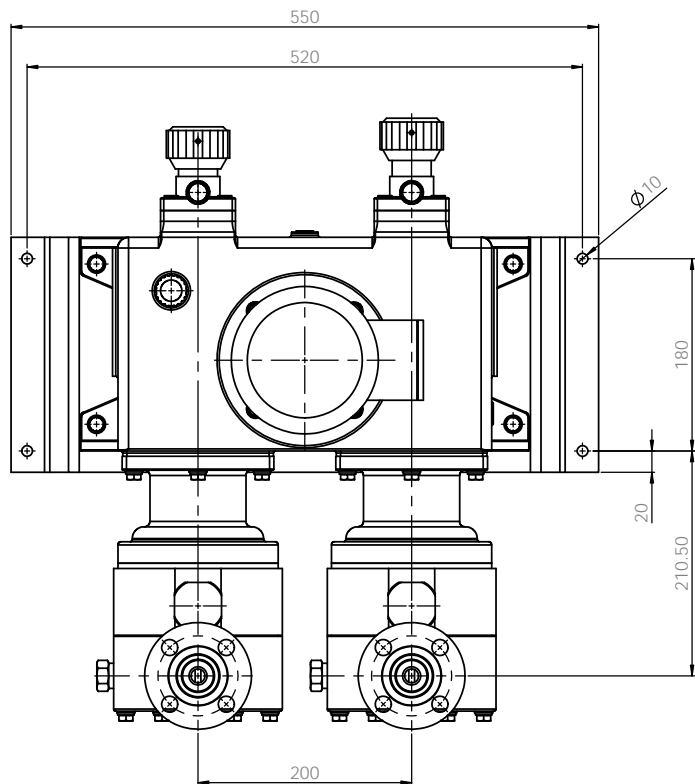
1. Model : JUMD10L
2. Material : Stainless steel(Cast)
3. Connection : Flange
4. Drain valve : Installed

ALL DIMENSIONS SPECIFIED UNLESS OTHERWISE SPECIFIED DIMENSIONS ARE IN MILLIMETERS UNLESS INDICATED OTHERWISE				SCALE AND BREAK SHARP EDGES		DO NOT SCALE DRAWING		REVISION
DATE	BY	CHKD	APP'D	MATERIAL	DWG. NO.	E-WHA CHEMICAL FEEDER CO., LTD.		
2020.02.21	W. PARK	W. PARK	SUS304	AF1201E1040B	PUMP ASSEMBLY-DIM		A1	
2020.02.21	S.C. KIM	S.C. KIM			JUMD10LS4S4FD-KS 10K 20A FF			
SUS304				AF1201E1040B				
SCALE 1:1.5				SHEET 1 OF 1				



**Note**  
 1. Model : JUMD10L  
 2. Material : Stainless steel  
 3. Connection : Flange  
 4. Drain valve : Not installed

ALL DIMENSIONS SPECIFIED UNLESS OTHERWISE SPECIFIED DIMENSIONS ARE IN MILLIMETERS			FINISH		DO NOT SCALE DRAWING		REVISION	
TOLERANCES UNLESS OTHERWISE SPECIFIED			EQUIVALENT		SCALE		DATE	
FRACTIONAL			DECIMAL		AS SHOWN		DRAWN	
ANGULAR			ANGULAR		AS SHOWN		CHECKED	
HOLE			HOLE		HOLE		HOLE	
DRAFTER			DATE		DRAWN		DATE	
CHECKER			DATE		CHECKED		DATE	
APPROVED			DATE		APPROVED		DATE	
MATERIAL			MATERIAL		MATERIAL		MATERIAL	
SUS304			SUS304		SUS304		SUS304	
DRAWING NO.			DRAWING NO.		DRAWING NO.		DRAWING NO.	
AF1301E1039B			AF1301E1039B		AF1301E1039B		AF1301E1039B	
SCALE 1:1			SCALE 1:1		SCALE 1:1		SCALE 1:1	
SHEET 1 OF 1			SHEET 1 OF 1		SHEET 1 OF 1		SHEET 1 OF 1	



**Note**  
 1. Model : JUMD10L  
 2. Material : Stainless steel  
 3. Connection : Flange  
 4. Drain valve : Installed

ALL DIMENSIONS SPECIFIED UNLESS OTHERWISE SPECIFIED DIMENSIONS ARE IN MILLIMETERS		FINISH		TOLERANCE AND BREAK SHARP EDGES		DO NOT SCALE DRAWING		REVISION	
DATE	BY	DATE	BY	DATE	BY	DATE	BY	DATE	BY
2020.02.21	W. PARK	2020.02.21	W. PARK	2020.02.21	W. PARK	2020.02.21	W. PARK	2020.02.21	W. PARK
2020.02.21	S.C. KIM	2020.02.21	S.C. KIM	2020.02.21	S.C. KIM	2020.02.21	S.C. KIM	2020.02.21	S.C. KIM
D/A		MATERIAL		SUS304		DWG. NO.		AF1301E1040B	
SCALE 1:1.5		SHEET 1 OF 1		E-WHA CHEMICAL FEEDER CO., LTD.		PUMP ASSEMBLY-DIM		JUMD10LS4S4FD-KS 10K 20A FF	