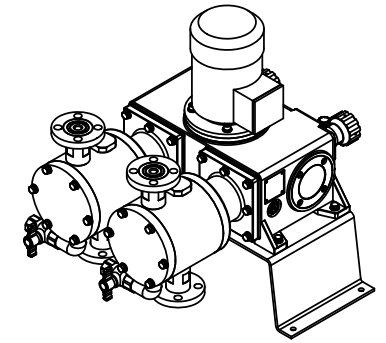
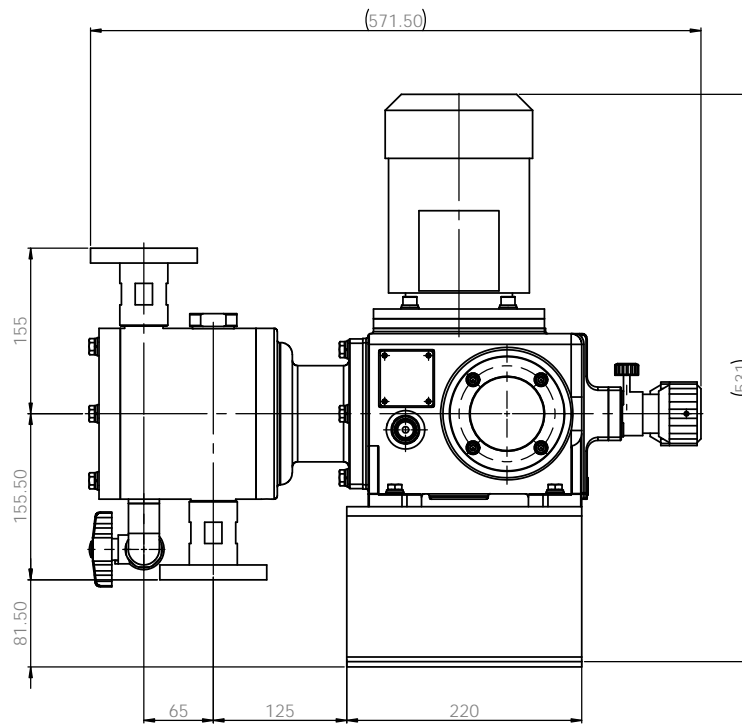
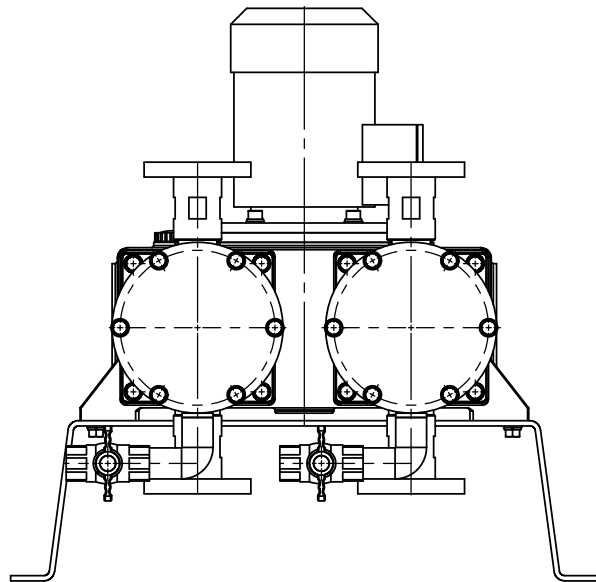
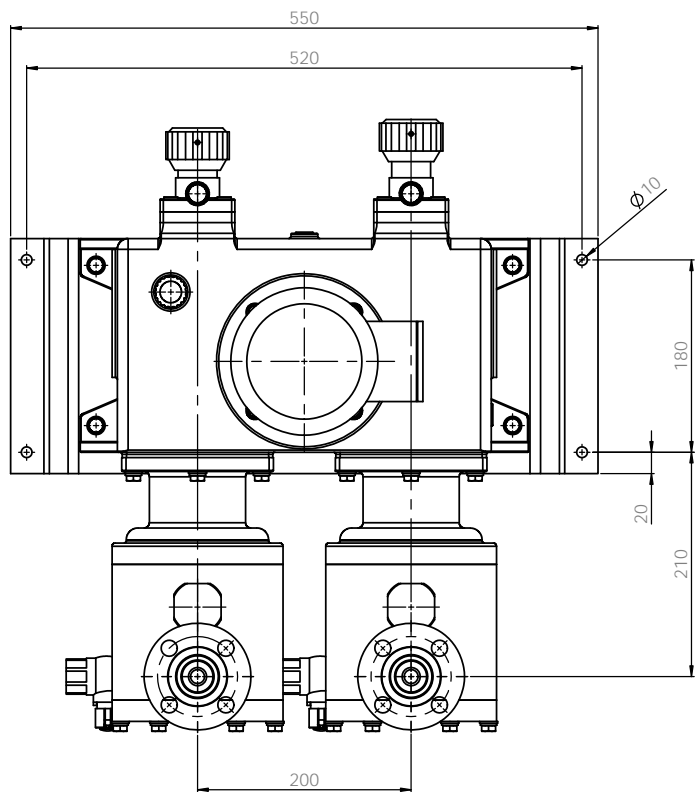


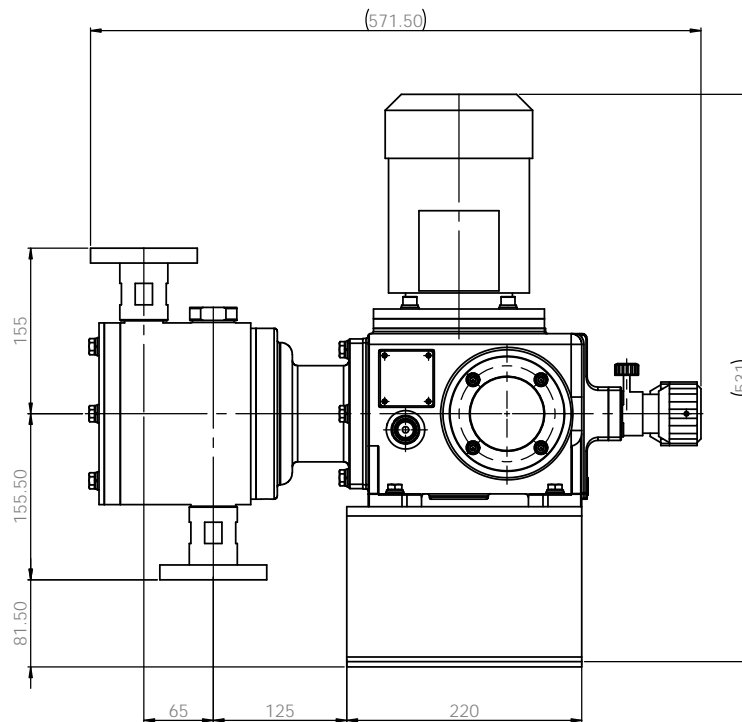
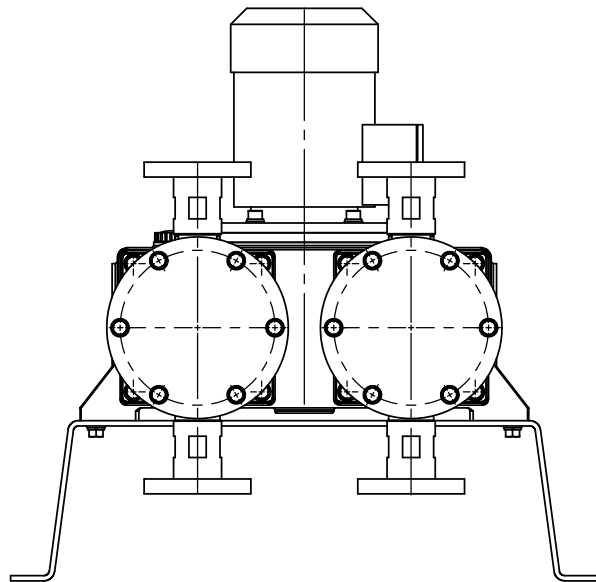
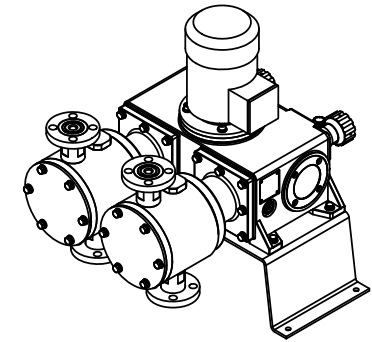
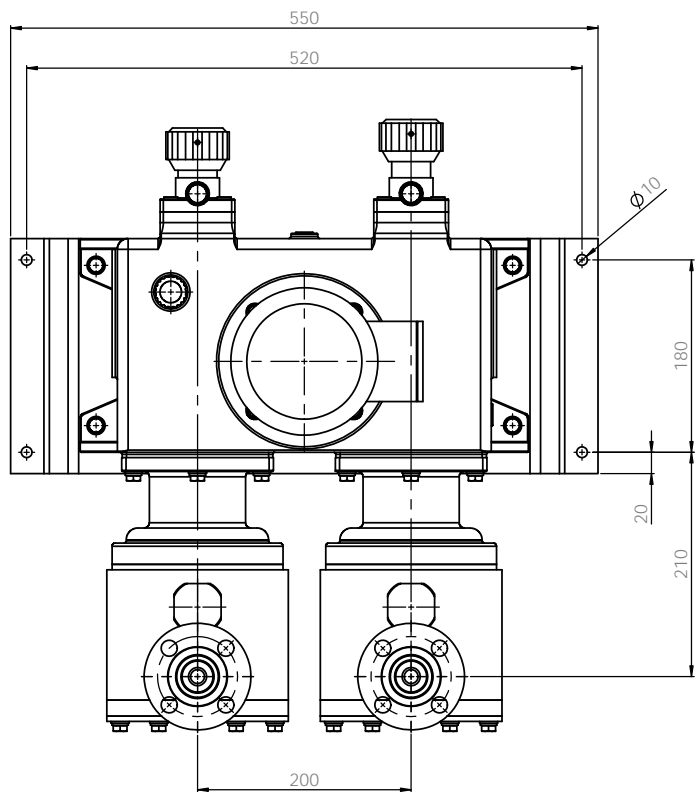
Note
 1. Model : JUMD12L
 2. Material : PP / PVdF
 3. Connection : Flange
 4. Drain valve : Not installed

PUMP ASSEMBLY-DIM				E-WHA CHEMICAL FEEDER CO., LTD.	
JUMD12LPCF-KS 10K 20A FF				AF1000E1043B	
PVC				A1	
SCALE 1:1.5				SHEET 1 OF 1	



Note
 1. Model : JUMD12L
 2. Material : PP
 3. Connection : Flange
 4. Drain valve : Installed

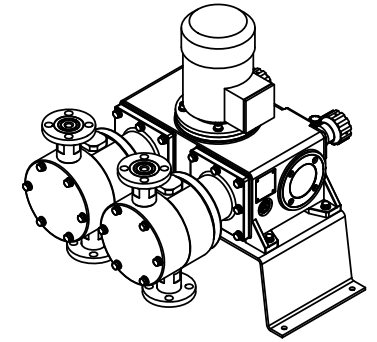
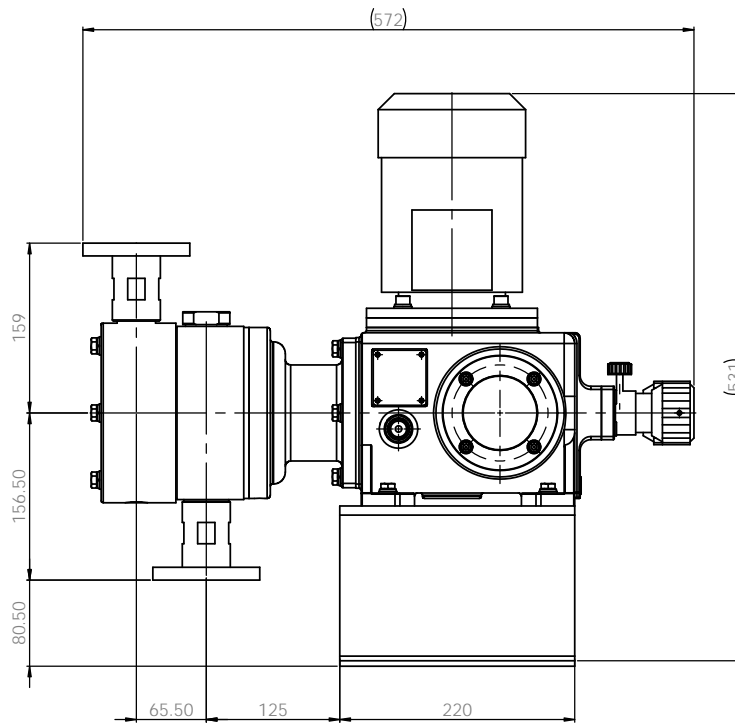
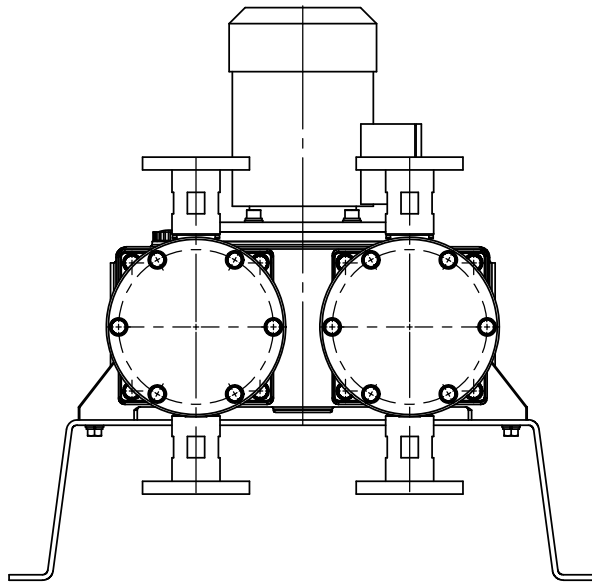
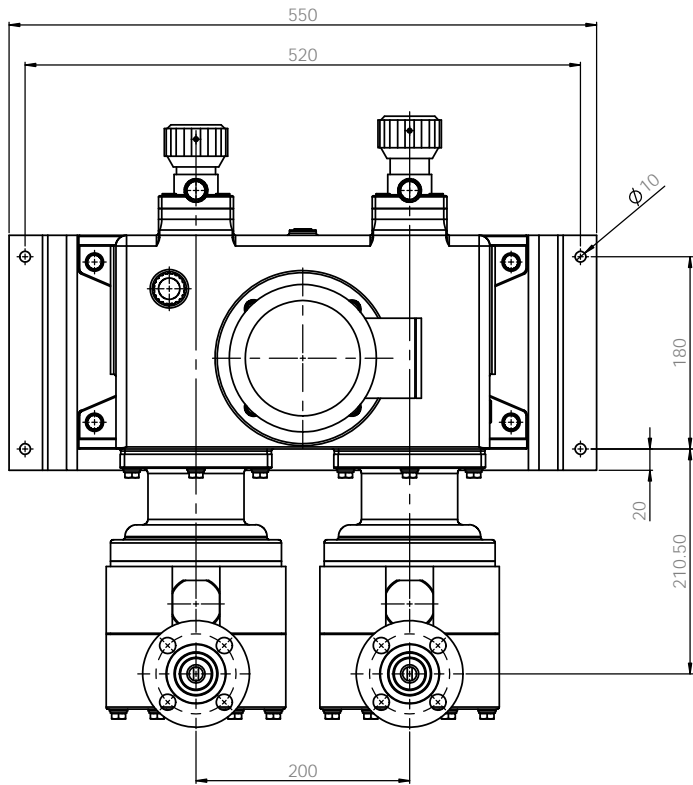
REVISIONS				SCALE AND BREAK SHARP EDGES		DO NOT SCALE DRAWING		REVISION	
NO.	DATE	BY	CHKD	SCALE	BREAK	SCALE	NO.	DESCRIPTION	DATE
01	2020.02.21	W. PAK					1	PUMP ASSEMBLY-DIM	
02	2020.02.21	W. PAK					2	JUMD12LPCFD-KS 10K 20A FF	
03	2020.02.21	S.C. KHA					3		
04							4		
MATERIAL				PVC		DIMENSION		AF1000E1044B	
SCALE 1:1.5				SHEET 1 OF 1					



Note

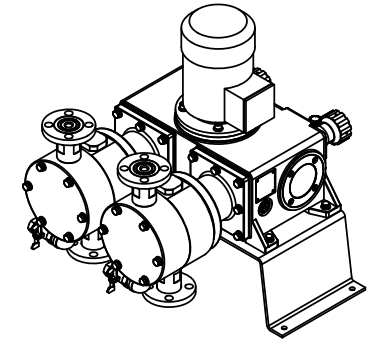
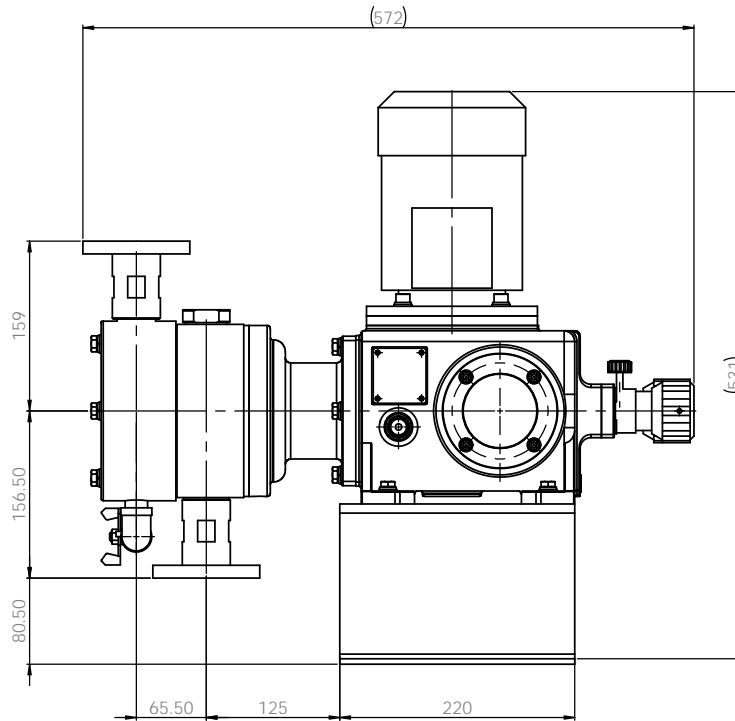
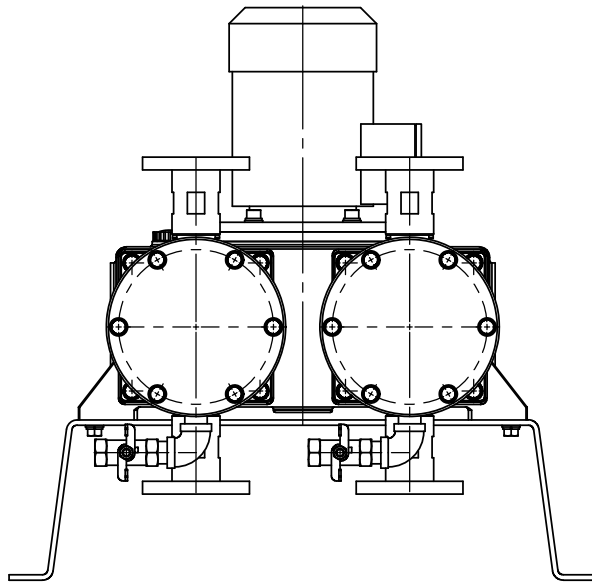
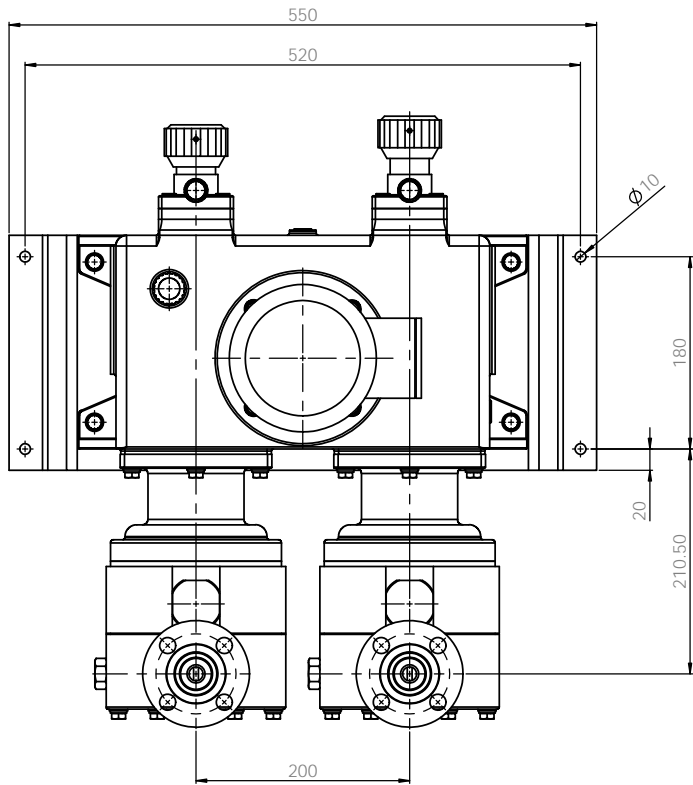
1. Model : JUMD12L
2. Material : PTFE
3. Connection : Flange
4. Drain valve : N / A

REVISIONS				DATE		BY		CHECKED		APPROVED		MATERIAL		SCALE		SHEET	
01	W. PARK	2024.02.21															
02	W. PARK	2024.02.21															
03	S.C. KIM	2024.02.21															
E-WHA CHEMICAL FEEDER CO., LTD.												PTFE		AF1004E1043B		A1	



- Note**
1. Model : JUMD12L
 2. Material : Stainless steel
 3. Connection : Flange
 4. Drain valve : Not installed

ALL DIMENSIONS SPECIFIED DIMENSIONS ARE IN MILLIMETERS UNLESS OTHERWISE SPECIFIED			FINISH BRASS AND BRASS SHARP POLISH		DO NOT SCALE DRAWING REVISION	
DRAWN : W. PARK CHECKED : W. PARK APPROVED : S.C. KIM DATE : 2020.02.21 DATE : 2020.02.21 DATE : 2020.02.21			MATERIAL SUS304		E-WHA CHEMICAL FEEDER CO., LTD. PUMP ASSEMBLY-DIM JUMD12LS4S4F-KS 10K 20A FF SHEET 1 OF 1	
Dwg No. : AF1301E1043B			Scale : 1:1		Sheet : 1 of 1	



Note
 1. Model : JUMD12L
 2. Material : Stainless steel
 3. Connection : Flange
 4. Drain valve : Installed

ALL DIMENSIONS SPECIFIED UNLESS OTHERWISE SPECIFIED DIMENSIONS ARE IN MILLIMETERS				FINISH		TOLERANCE AND BREAK SHARP EDGES		DO NOT SCALE DRAWING		REVISION
DATE	BY	CHKD	APP'D	SCALE	UNIT	ANGULAR				
2024.02.21	W. PARK	W. PARK	S.C. KIM	1:1	MM					
2024.02.21										
MATERIAL				SUS304		DIM. NO.		AF1301E1044B		A1
SCALE 1:1				SHEET 1 OF 1		E-WHA CHEMICAL FEEDER CO., LTD.		PUMP ASSEMBLY-DIM		JUMD12LS4S4FD-KS 10K 20A FF