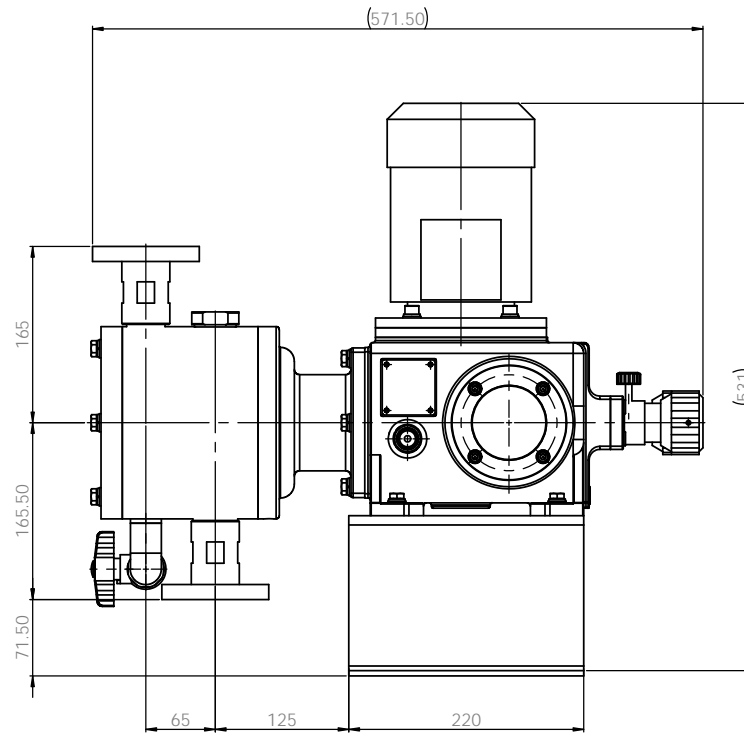
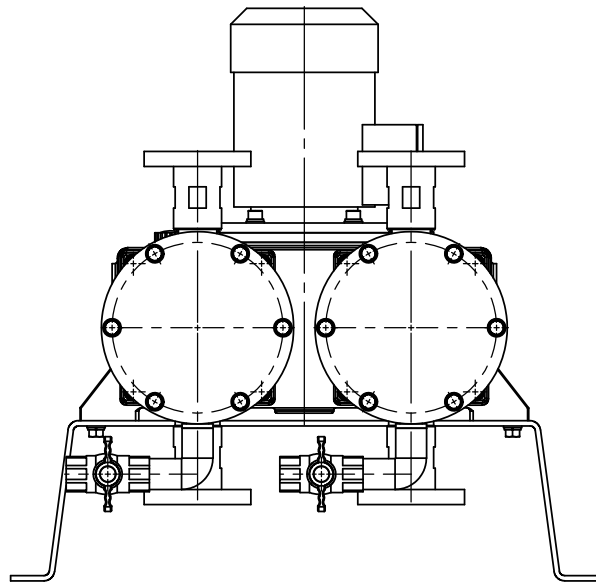
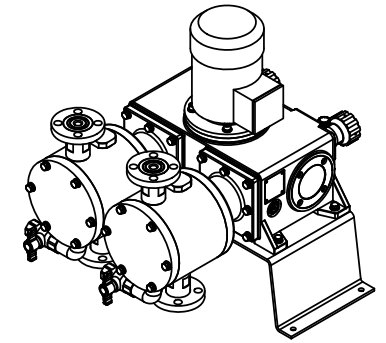
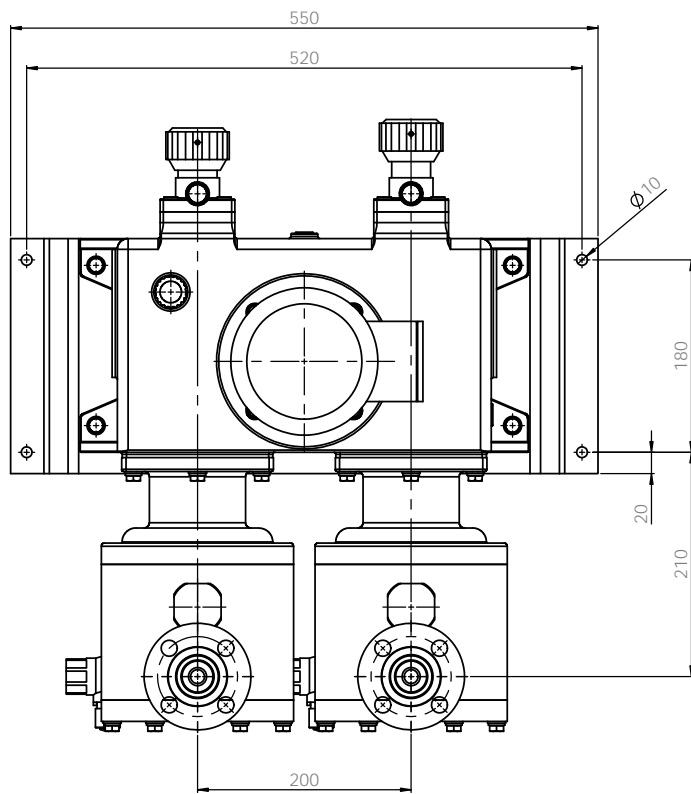


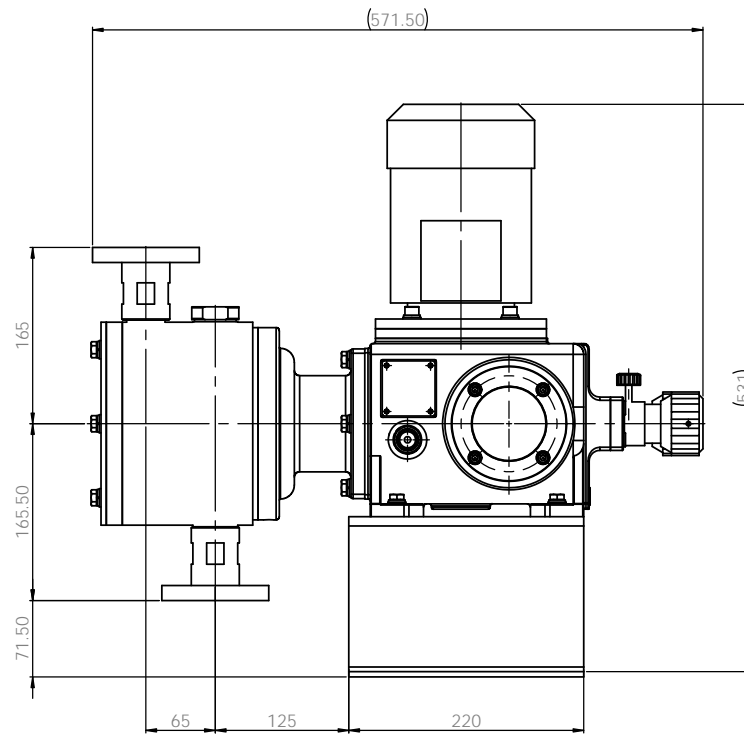
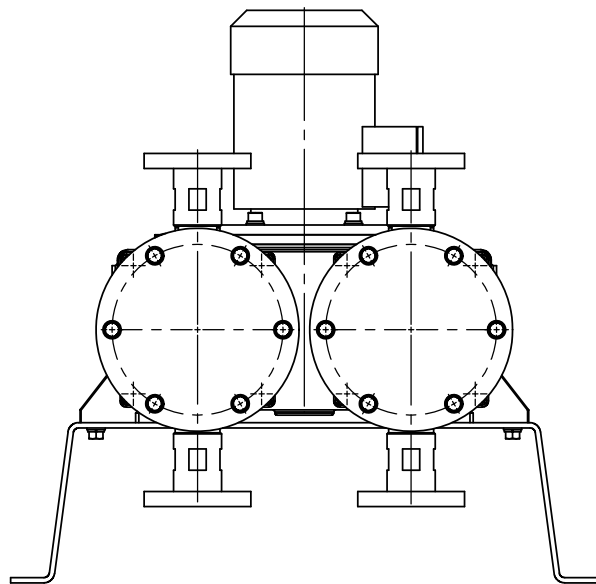
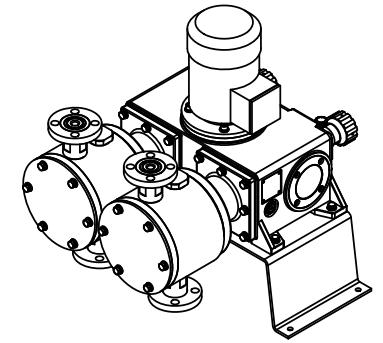
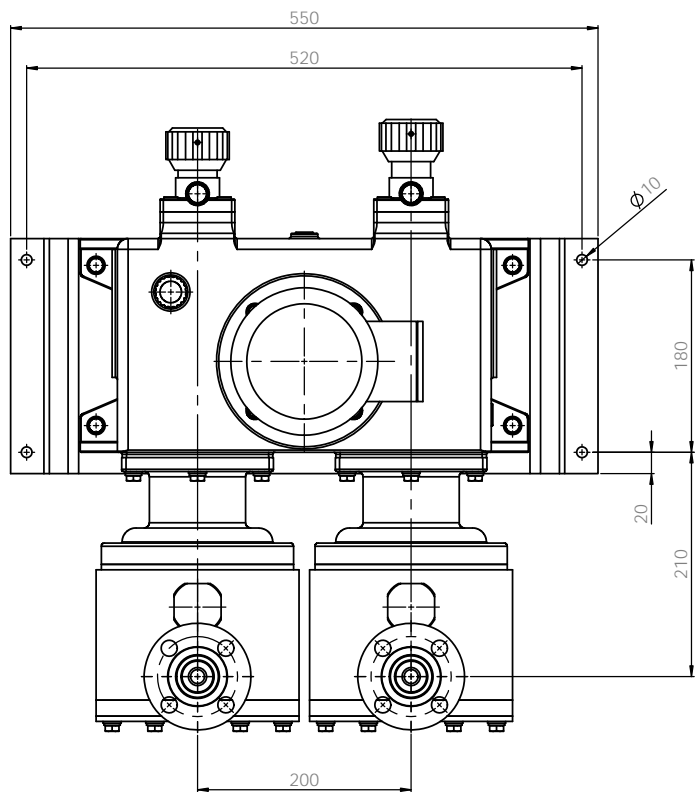
Note
 1. Model : JUMD16L
 2. Material : PP / PVdF
 3. Connection : Flange
 4. Drain valve : Not installed

REVISIONS SPECIFIED DIMENSIONS ARE IN MILLIMETERS UNLESS OTHERWISE SPECIFIED		FINISH	TOLERANCE AND BREAK SHARP EDGES		DO NOT SCALE DRAWING	REVISION
DATE	BY	DATE	BY	DATE	BY	DATE
2020.02.21	W. PARK	2020.02.21				
2020.02.21	W. PARK	2020.02.21				
2020.02.21	S.C. KIM	2020.02.21				
2020.02.21	W. PARK	2020.02.21				
MATERIAL			DRAWING NO.		SHEET 1 OF 1	
PVC			AF1000E1047B		A1	
SCALE 1:1			E-WHA CHEMICAL FEEDER CO., LTD.		PUMP ASSEMBLY-DIM JUMD16LPCF-KS 10K 20A FF	



Note
 1. Model : JUMD16L
 2. Material : PP
 3. Connection : Flange
 4. Drain valve : Installed

REVISIONS				SCALE AND BREAK SHARP EDGES		DO NOT SCALE DRAWING		REVISION	
NO.	DATE	BY	CHKD	SCALE	BREAK	SHARP	EDGES		
01	2020.02.21	W. PARK							
02	2020.02.21	W. PARK							
03	2020.02.21	S.C. KIM							
MATERIAL				PVC		DIMENSION		AF1000E1048B	
SCALE 1:1				SHEET 1 OF 1		E-WHA CHEMICAL FEEDER CO., LTD.		PUMP ASSEMBLY-DIM	
						JUMD16LPCFD-KS 10K 20A FF		A1	



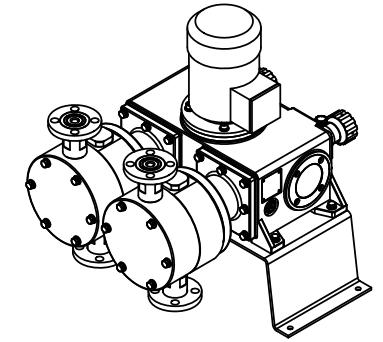
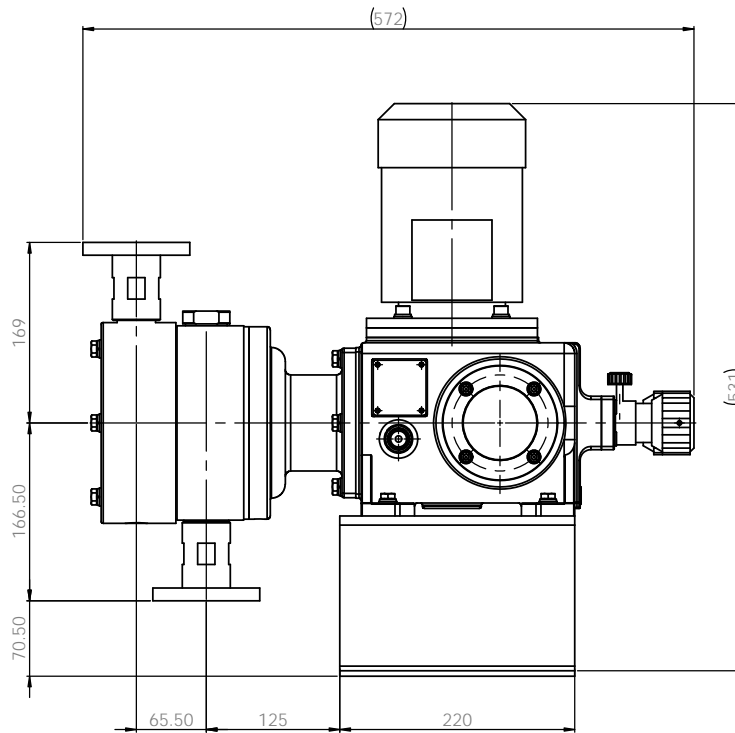
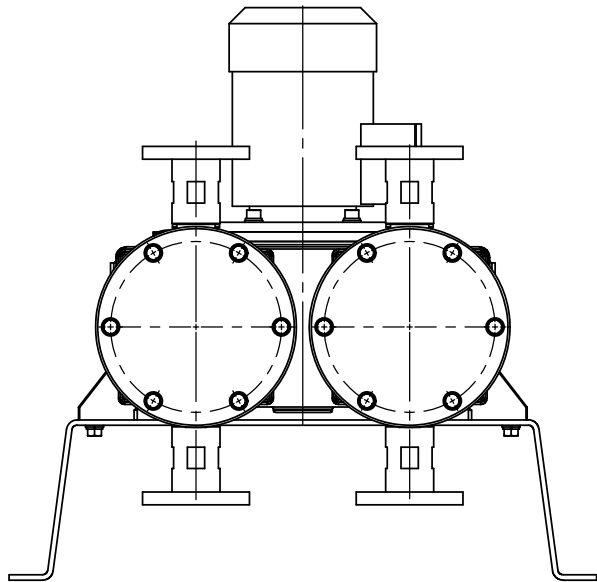
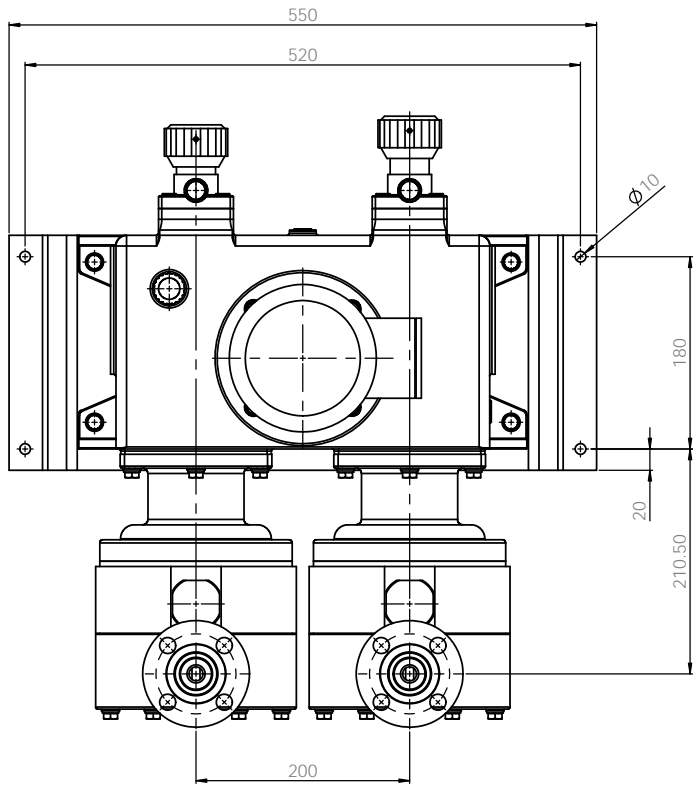
Note
 1. Model : JUMD16L
 2. Material : PTFE
 3. Connection : Flange
 4. Drain valve : N / A

REVISIONS SPECIFIED				REVISIONS		DO NOT SCALE DRAWING		REVISION	
NO.	DATE	BY	REASON	NO.	DATE	BY	REASON	NO.	DATE
01	2020.02.21	W. PARK	INITIAL						
02	2020.02.21	W. PARK	REVISION						
03	2020.02.21	S.C. KIM	REVISION						
04									
05									
06									
07									
08									
09									
10									
11									
12									
13									
14									
15									
16									

MATERIAL		PTFE		DRAWING NO.		AF1004E1047B		SHEET 1 OF 1	
FINISH				SCALE 1:1					

E-WHA CHEMICAL FEEDER CO., LTD.

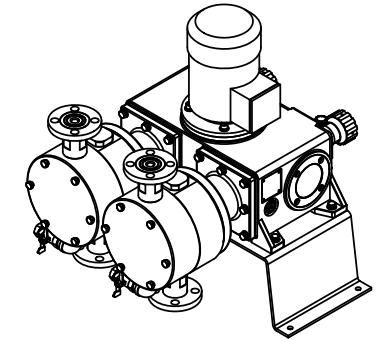
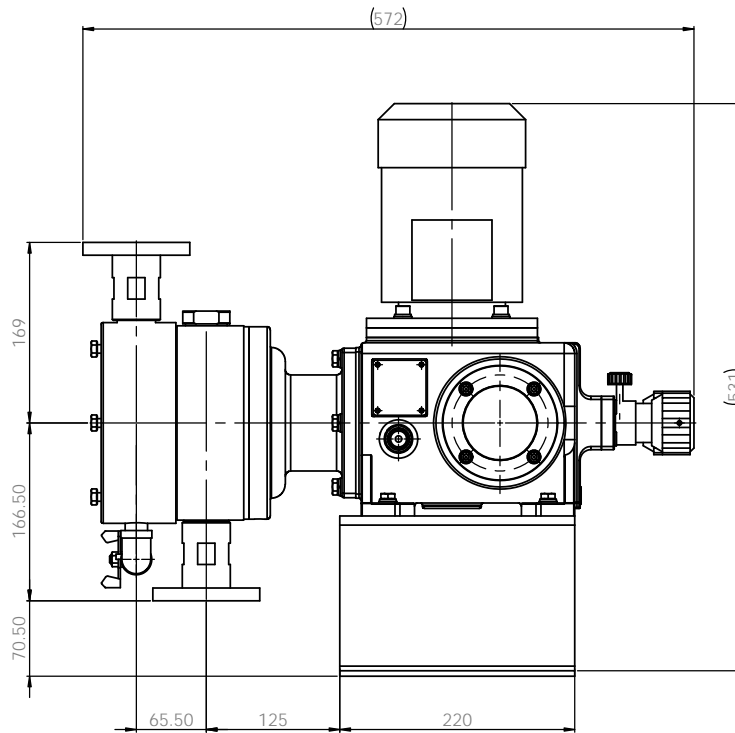
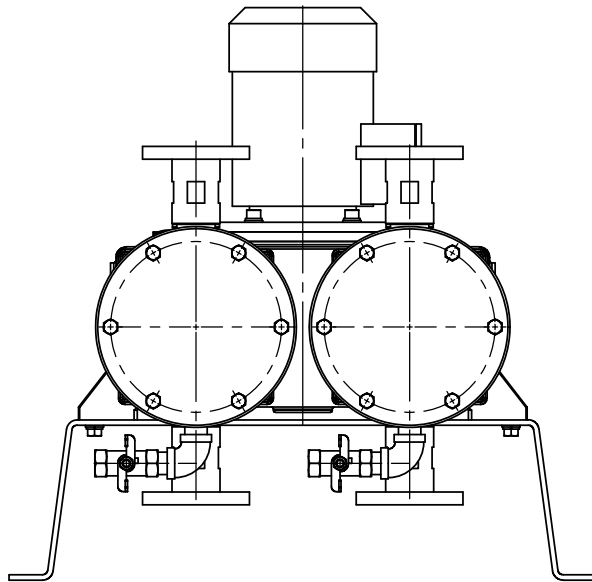
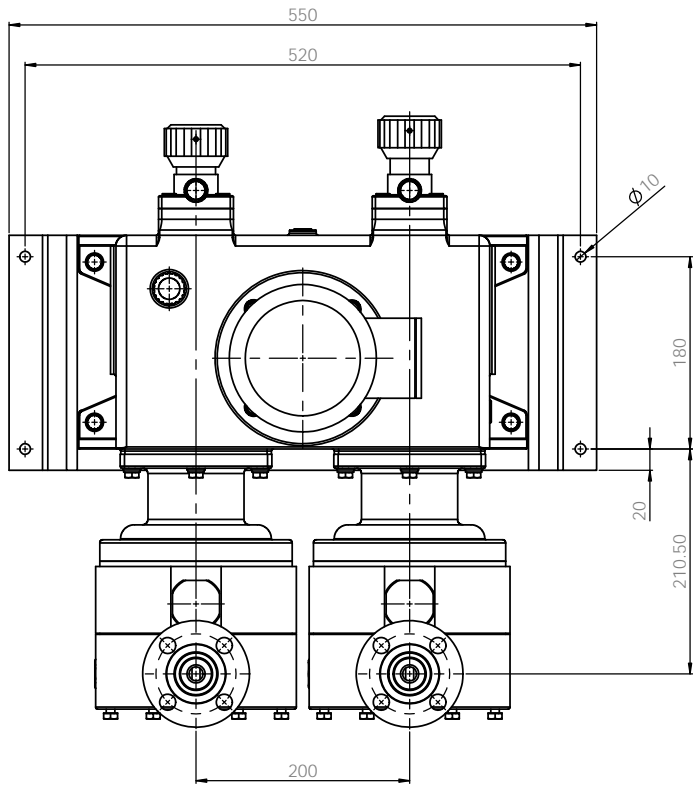
PUMP ASSEMBLY-DIM
 JUMD16LTCF-KS 10K 20A FF



Note

1. Model : JUMD16L
2. Material : Stainless steel
3. Connection : Flange
4. Drain valve : Not installed

ALL DIMENSIONS SPECIFIED UNLESS OTHERWISE SPECIFIED DIMENSIONS ARE IN MILLIMETERS UNLESS INDICATED OTHERWISE			SCALE AND BASIC SHARP EDGES		DO NOT SCALE DRAWING		REVISION	
DATE	BY	CHKD	DATE	BY	DATE	BY	DATE	BY
2024.02.21	W. PARK	2024.02.21	W. PARK	2024.02.21				
2024.02.21	S.C. KIM	2024.02.21	S.C. KIM	2024.02.21				
MATERIAL			SUS304		DRAWING NO.		AF1301E1047B	
SCALE 1:1			SHEET 1 OF 1		E-WHA CHEMICAL FEEDER CO., LTD.		PUMP ASSEMBLY-DIM	
					JUMD16LS4S4F-KS 10K 20A FF			



Note

1. Model : JUMD16L
2. Material : Stainless steel
3. Connection : Flange
4. Drain valve : Installed

ALL DIMENSIONS SPECIFIED UNLESS OTHERWISE SPECIFIED DIMENSIONS ARE IN MILLIMETERS		FINISH		TOLERANCE AND BREAK SHARP EDGES		DO NOT SCALE DRAWING		REVISION	
DATE	BY	DATE	BY	DATE	BY	DATE	BY	DATE	BY
2020.02.21	W. PARK	2020.02.21	W. PARK	2020.02.21	S.C. KIM				
2020.02.21	S.C. KIM								
DRAWN		CHECKED		MATERIAL		SUS304		SHEET 1 OF 1	
DATE		BY		SCALE		1:1		E-WHA CHEMICAL FEEDER CO., LTD.	
2020.02.21		W. PARK		1:1		AF1301E1048B		PUMP ASSEMBLY-DIM	
2020.02.21		S.C. KIM						JUMD16LS4S4FD-KS 10K 20A FF	