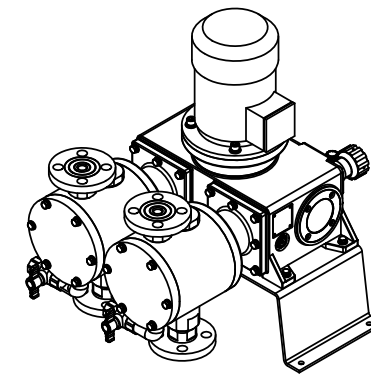
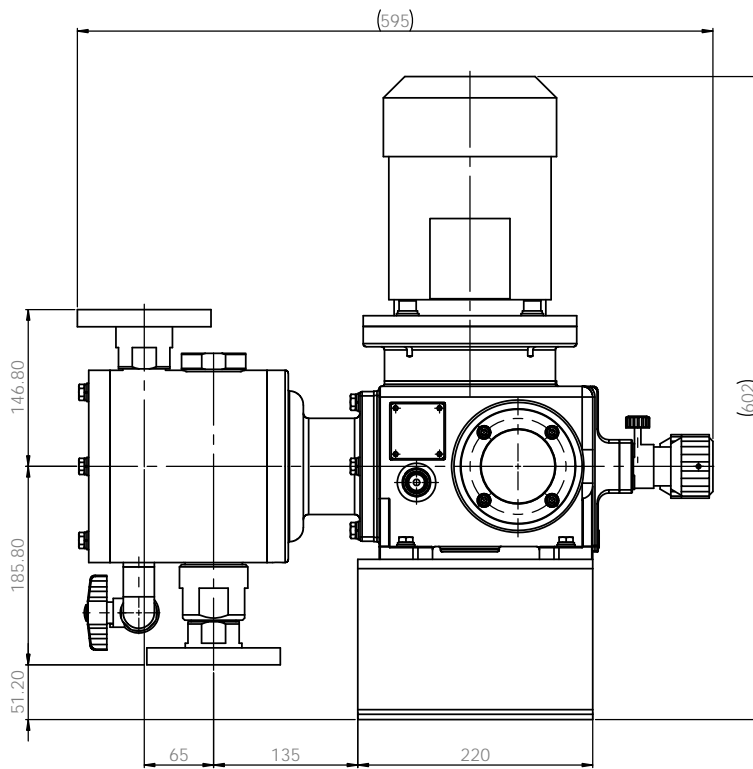
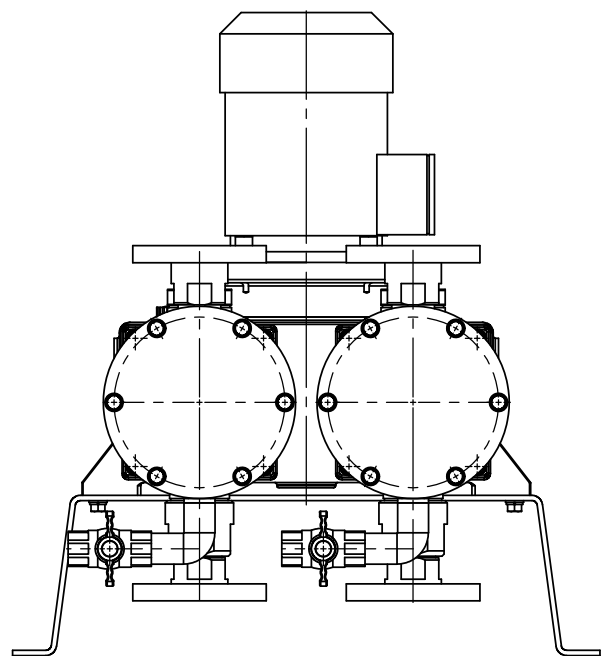
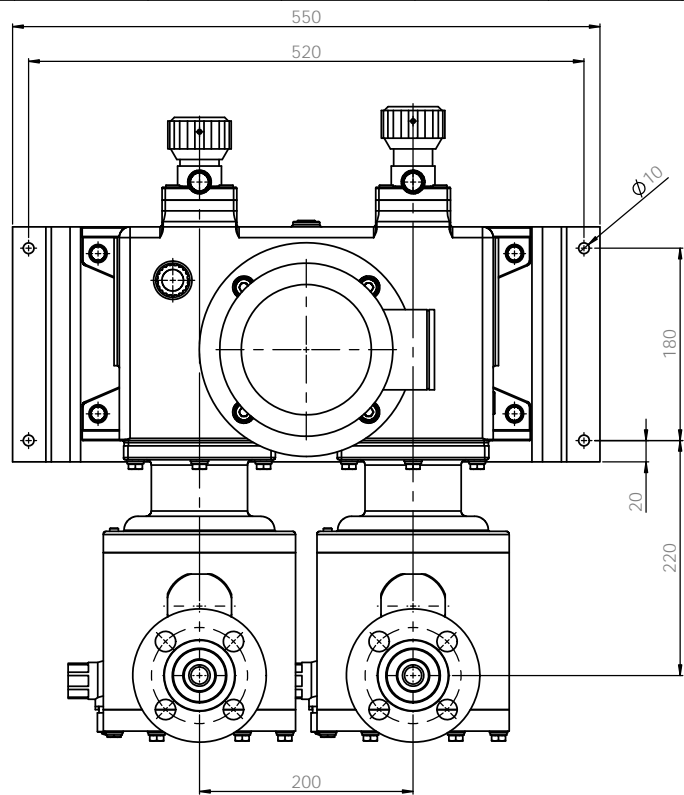


- Note**
1. Model : JUMD20L
 2. Material : PP / PVdF
 3. Connection : Flange
 4. Drain valve : Not installed

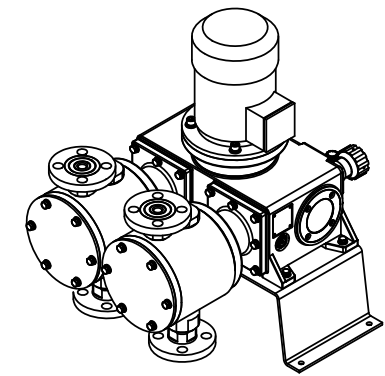
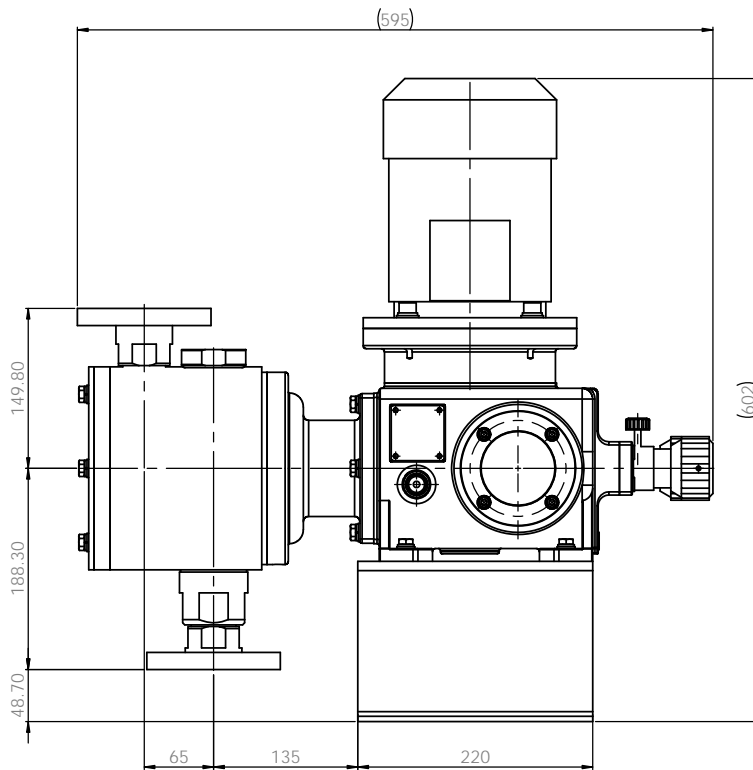
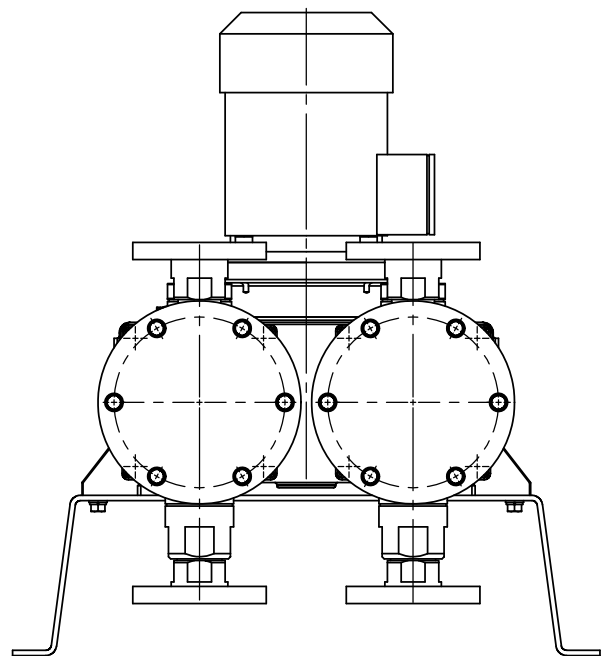
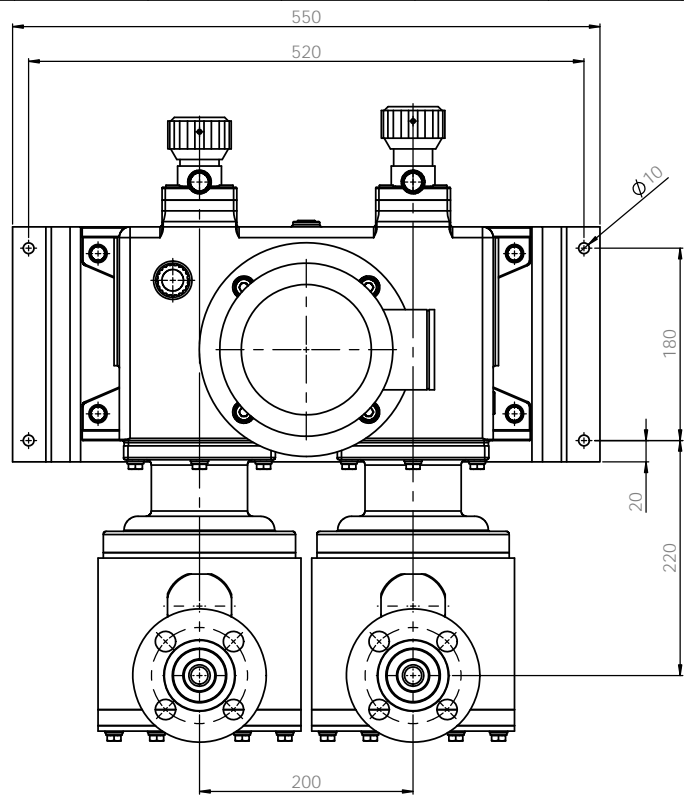
ALL DIMENSIONS SPECIFIED UNLESS OTHERWISE SPECIFIED DIMENSIONS ARE IN MILLIMETERS		UNITS		SCALE AND BREAK SHARP EDGES		DO NOT SCALE DRAWING		REVISION	
DATE	BY	DATE	BY	DATE	BY	DATE	BY	DATE	BY
2024.02.21		2024.02.21							
2024.02.21		2024.02.21							
2024.02.21		2024.02.21							
MATERIAL				PVC		DRAWING NO.		AF1000E1051A	
SCALE 1:1				SHEET 1 OF 1		E-WHA CHEMICAL FEEDER CO., LTD.		PUMP ASSEMBLY-DIM	
						JUMD20LPCF-KS 10K 25A FF			



Note

1. Model : JUMD20L
2. Material : PP
3. Connection : Flange
4. Drain valve : Installed

ALL DIMENSIONS SPECIFIED UNLESS OTHERWISE SPECIFIED DIMENSIONS ARE IN MILLIMETERS				SCALE AND BREAK SHARP EDGES		DO NOT SCALE DRAWING		REVISION	
DATE	BY	CHKD	APPVD	DATE	BY	DATE	BY	DATE	BY
2024.02.21	W. PARK	2024.02.21	S.C. KIM	2024.02.21					
DRAWN : W. PARK				DESIGNED : W. PARK		CHECKED : S.C. KIM		APPROVED : S.C. KIM	
TITLE : PUMP ASSEMBLY-DIM				MATERIAL : PVC		DRAWING NO. : AF1000E1052A		SHEET 1 OF 1	
COMPANY : E-WHA CHEMICAL FEEDER CO., LTD.				SCALE : 1:1		PROJECT : JUMD20LPCFD-KS 10K 25A FF		DATE : 2024.02.21	

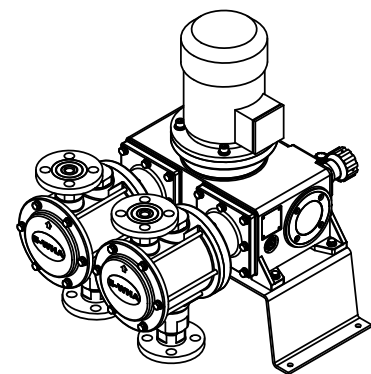
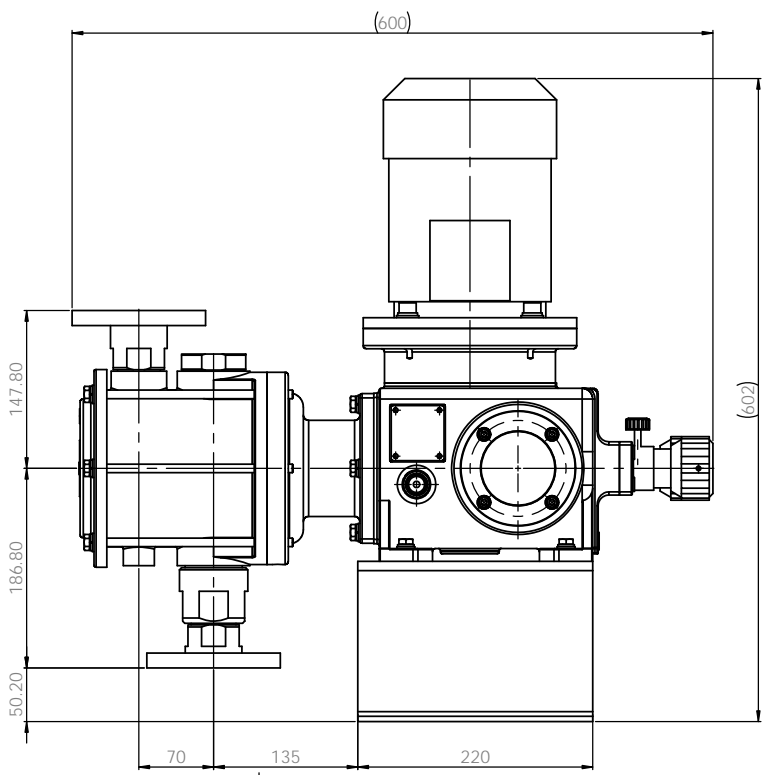
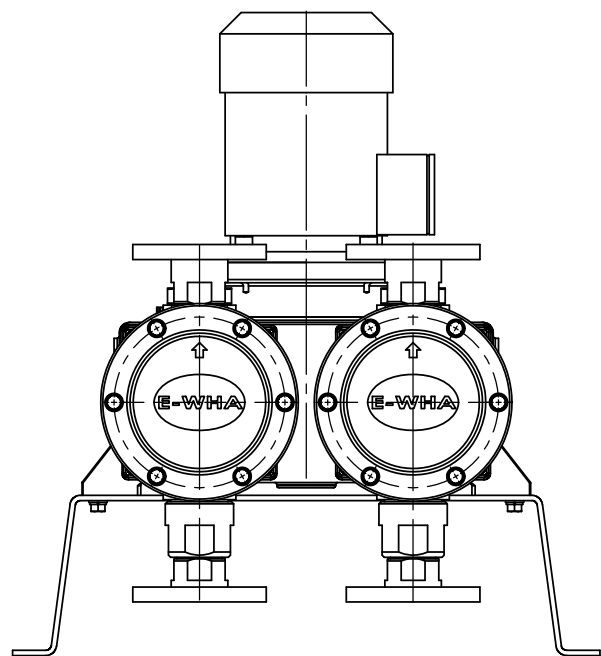
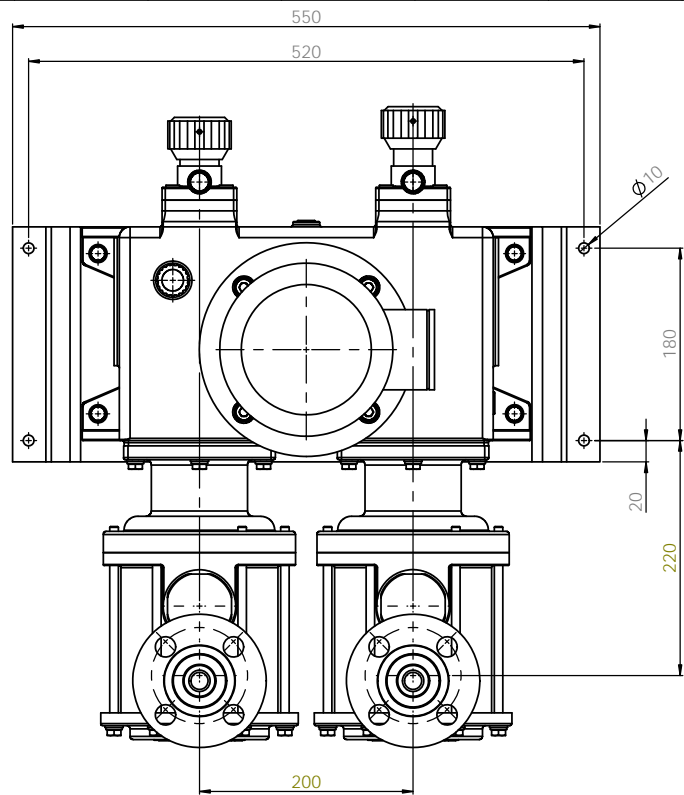


Note
 1. Model : JUMD20L
 2. Material : PTFE
 3. Connection : Flange
 4. Drain valve : N / A

ALL DIMENSIONS SPECIFIED UNLESS OTHERWISE SPECIFIED DIMENSIONS ARE IN MILLIMETERS				DO NOT SCALE DRAWING		REVISION	
TOLERANCES UNLESS OTHERWISE SPECIFIED				FINISH		EQUIVALENT BRASS SHARP EDGES	
HORIZONTAL				ANGULAR			
DATE	BY	CHKD	APPV	DATE	BY	CHKD	APPV
2024.02.21				2024.02.21			
2024.02.21				2024.02.21			
MATERIAL				PTFE		EQUIV. NO.	
DIA.				AF1004E1051A		A1	
SCALE 1:1.5				SHEET 1 OF 1			

E-WHA CHEMICAL FEEDER CO., LTD.

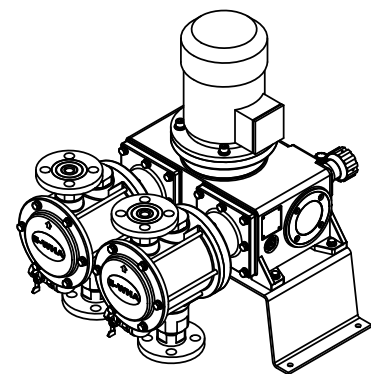
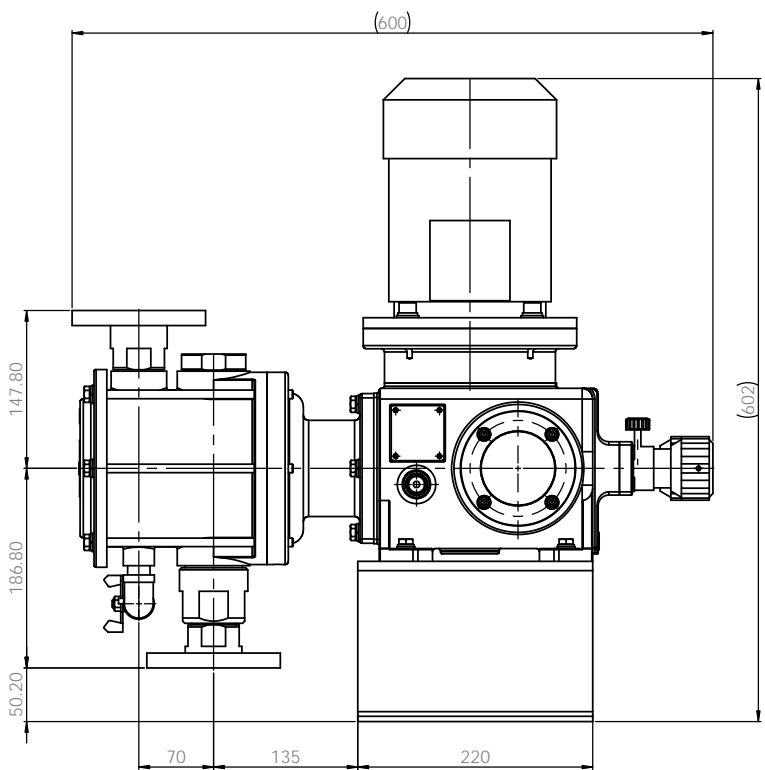
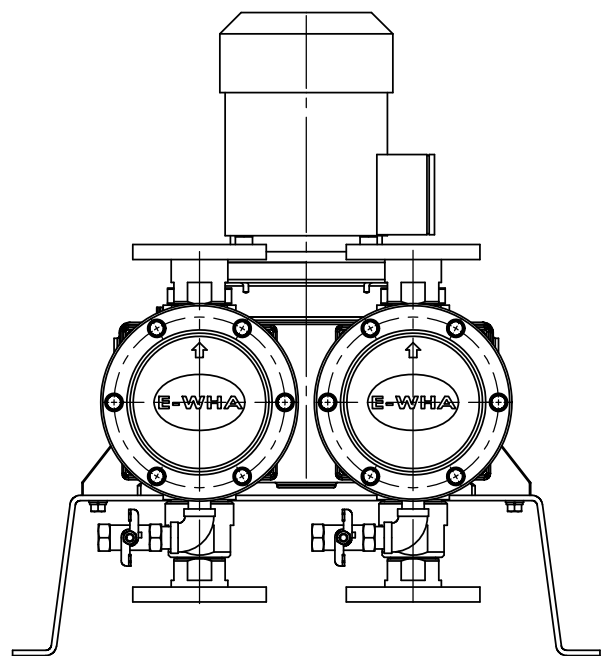
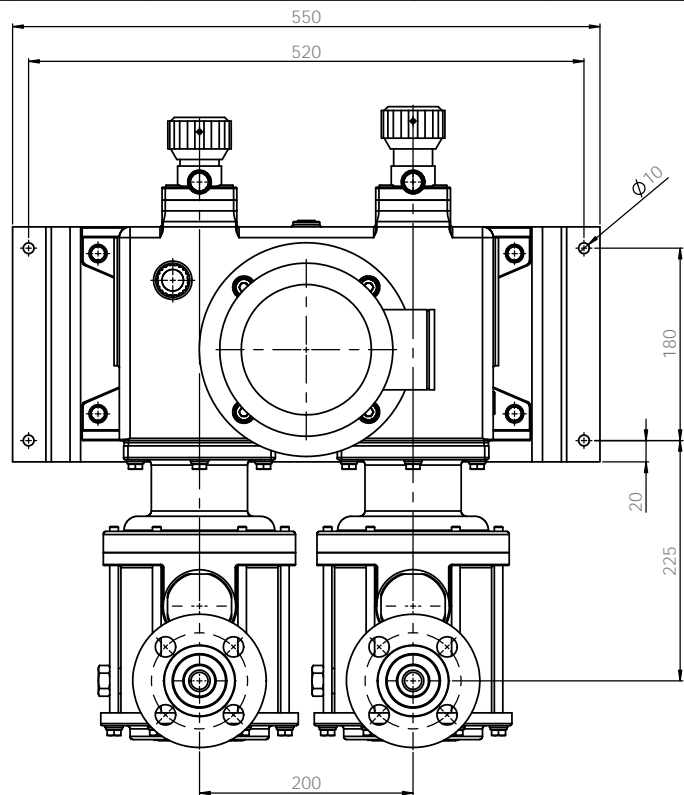
PUMP ASSEMBLY-DIM
 JUMD20LTCF-KS 10K 25A FF



Note

1. Model : JUMD20L
2. Material : Stainless steel(Cast)
3. Connection : Flange
4. Drain valve : Not installed

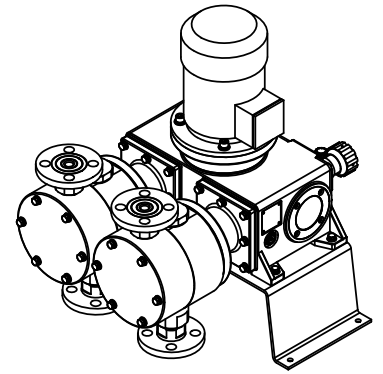
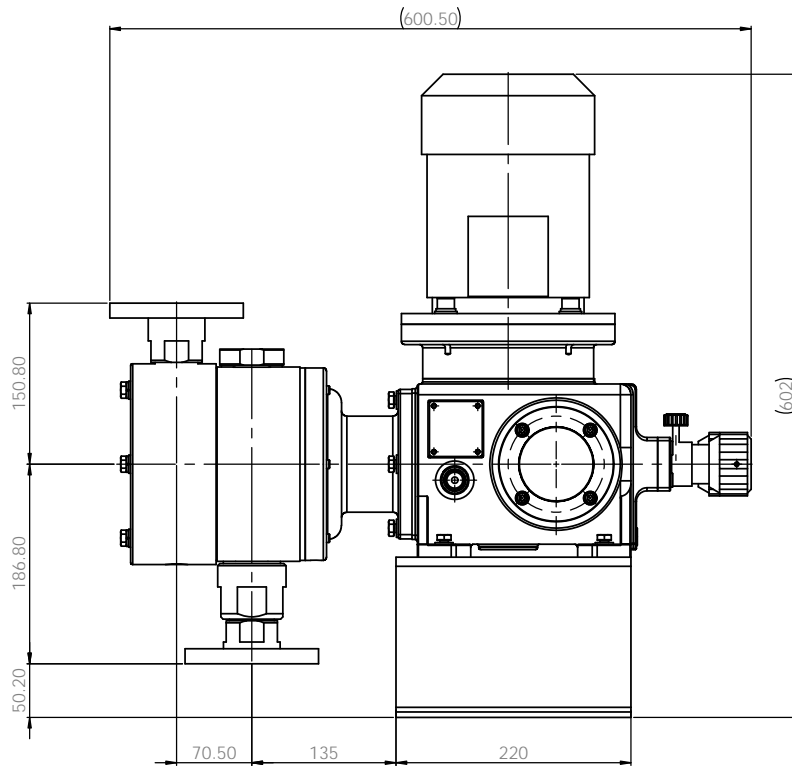
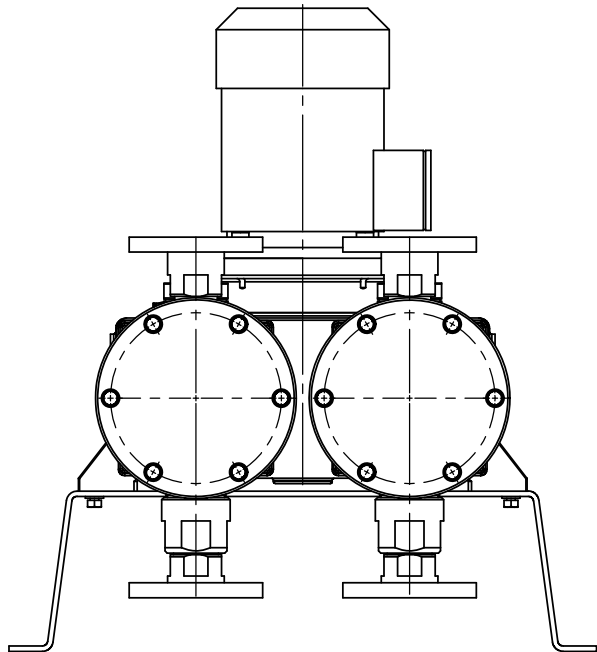
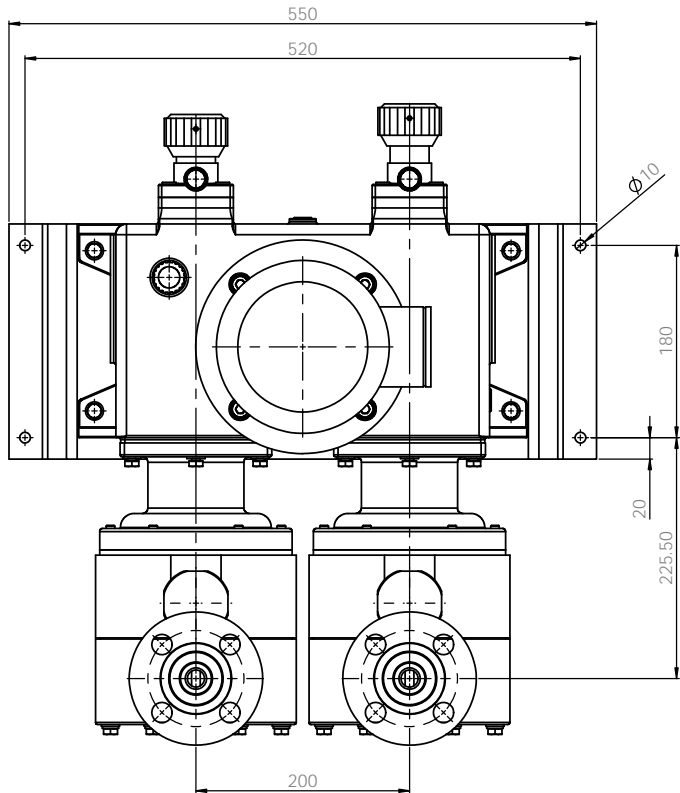
ALL DIMENSIONS SPECIFIED UNLESS OTHERWISE SPECIFIED DIMENSIONS ARE IN MILLIMETERS		FINISH		TOLERANCE AND BEZEL GRASP		DO NOT SCALE DRAWING		REVISION	
DIMENSIONS		TOLERANCE		FINISH		SCALE		DATE	
LINE	DATE	REVISION	DATE	SCALE	DATE				
DRW	05/02/21								
CHK	05/02/21								
APP	05/02/21								
DES									
MATERIAL		SUS304		DRAWING NO.		AF1201E1051A		A1	
SCALE 1:1		SHEET 1 OF 1		E-WHA CHEMICAL FEEDER CO., LTD.		PUMP ASSEMBLY-DIM		JUMD20LS4S4F-KS 10K 25A FF	



Note

1. Model : JUMD20L
2. Material : Stainless steel(Cast)
3. Connection : Flange
4. Drain valve : Installed

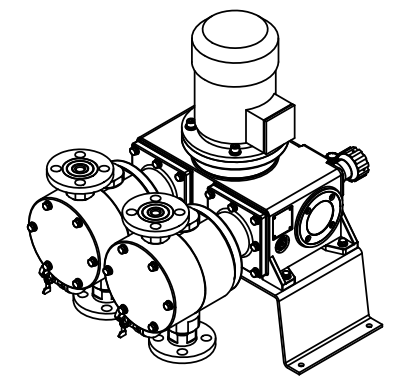
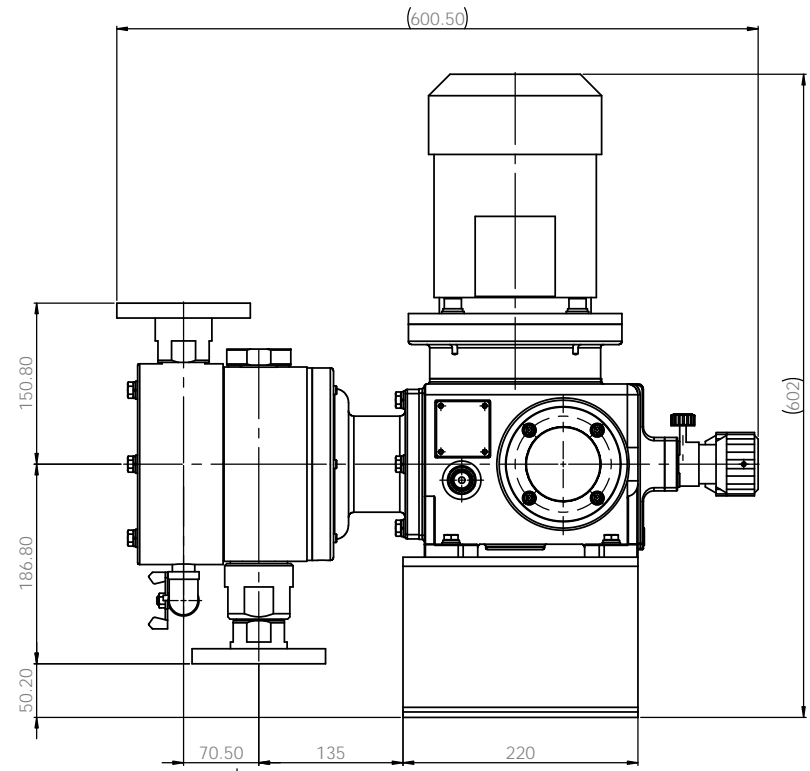
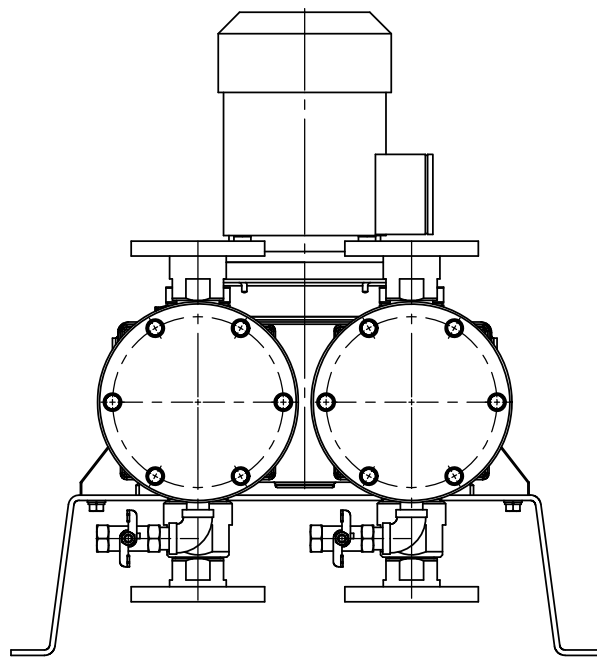
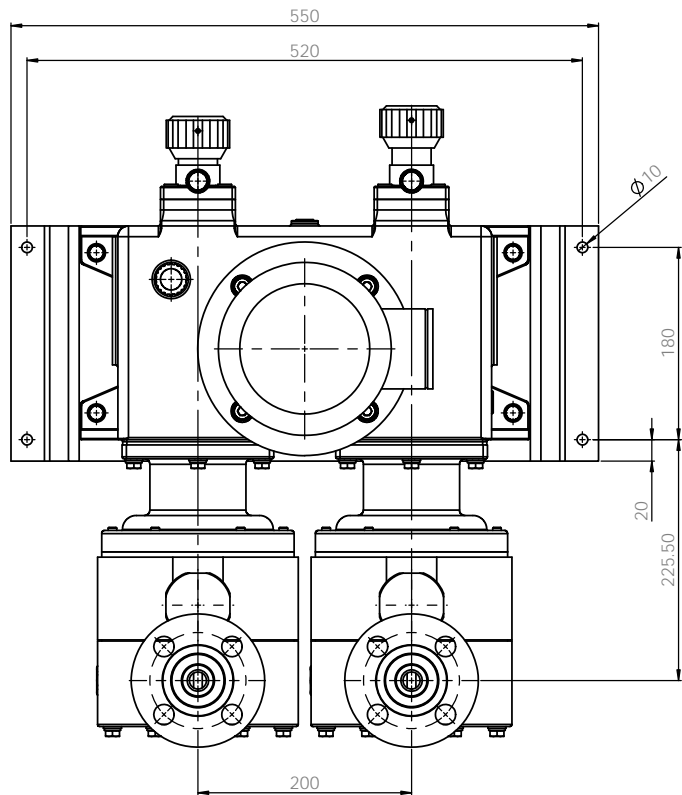
ALL DIMENSIONS SPECIFIED UNLESS OTHERWISE SPECIFIED DIMENSIONS ARE IN MILLIMETERS UNLESS INDICATED OTHERWISE		UNITS: ANGULAR: DEGREE		DO NOT SCALE DRAWING		REVISION	
DATE	BY	DATE	BY	E-WHA CHEMICAL FEEDER CO., LTD.			
2020.02.21	W. PARK	2020.02.21	W. PARK	PUMP ASSEMBLY-DIM			
2020.02.21	S.C. KIM	2020.02.21	S.C. KIM	JUMD20LS4S4FD-KS 10K 25A FF			
MATERIAL: SUS304		DRAWING NO: AF1201E1052A		A1			
SCALE: 1:1		SHEET: 1 OF 1					



Note

1. Model : JUMD20L
2. Material : Stainless steel
3. Connection : Flange
4. Drain valve : Not installed

SCALE AND BREAK SHARP EDGES		DO NOT SCALE DRAWING		REVISION
MATERIAL: SUS304		DWG NO: AF1301E1051A		A1
SCALE: 1:1		SHEET: 1 OF 1		



Note

1. Model : JUMD20L
2. Material : Stainless steel
3. Connection : Flange
4. Drain valve : Installed

ALL DIMENSIONS SPECIFIED UNLESS OTHERWISE SPECIFIED DIMENSIONS ARE IN MILLIMETERS		FINISH		TOLERANCE AND BREAK SHARP EDGES		DO NOT SCALE DRAWING		REVISION	
DATE	BY	DATE	BY	DATE	BY	DATE	BY	DATE	BY
2024.02.21	W. PAK	2024.02.21	W. PAK	2024.02.21	S.C. KHA				
2024.02.21	S.C. KHA								
MATERIAL		SUS304		DRAWING NO.		AF1301E1052A		A1	
SCALE 1:1.5		SHEET 1 OF 1		E-WHA CHEMICAL FEEDER CO., LTD.		PUMP ASSEMBLY-DIM		JUMD20LS4S4FD-KS 10K 25A FF	