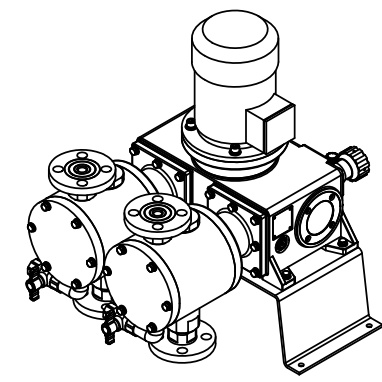
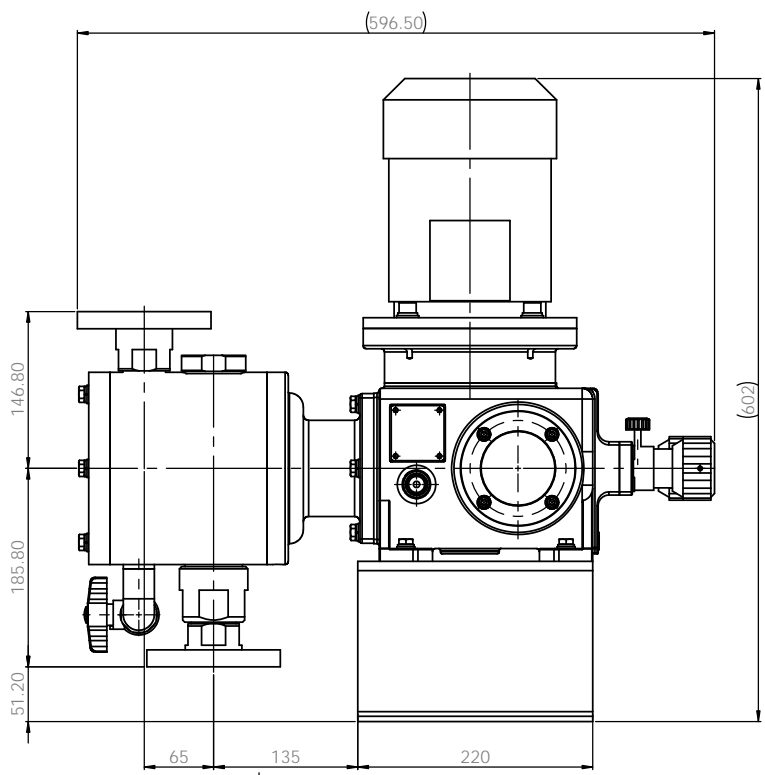
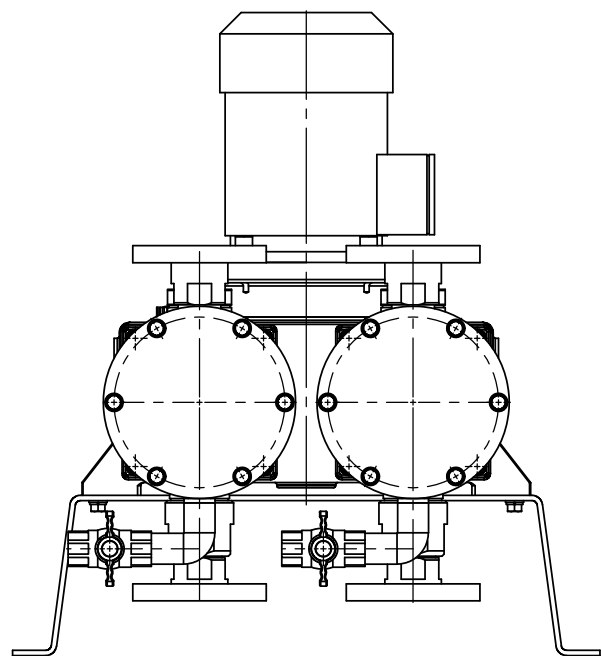
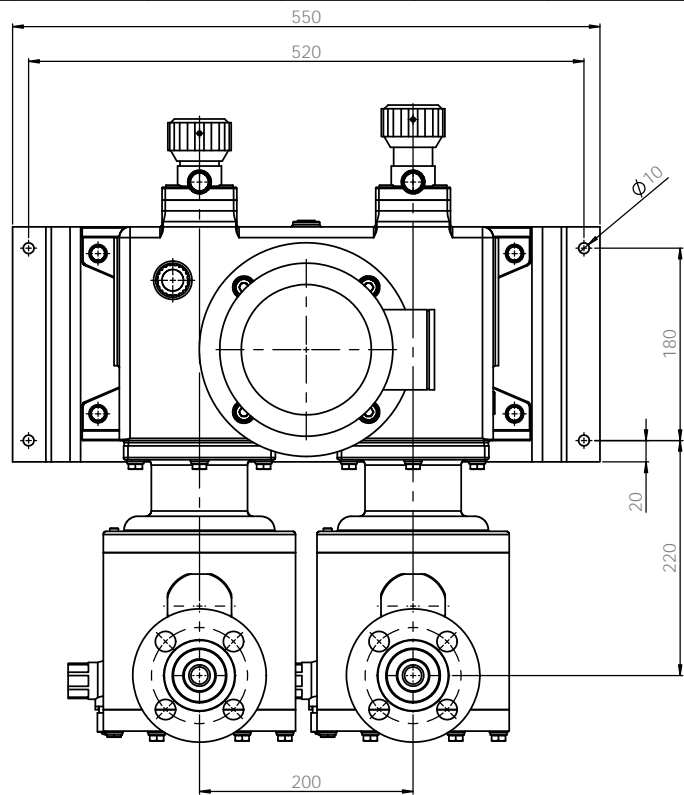


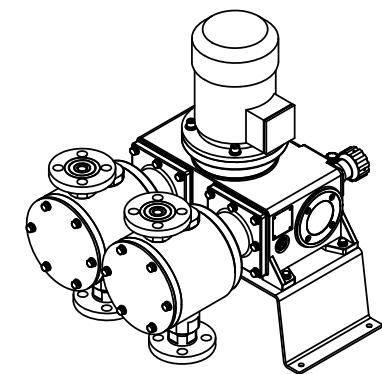
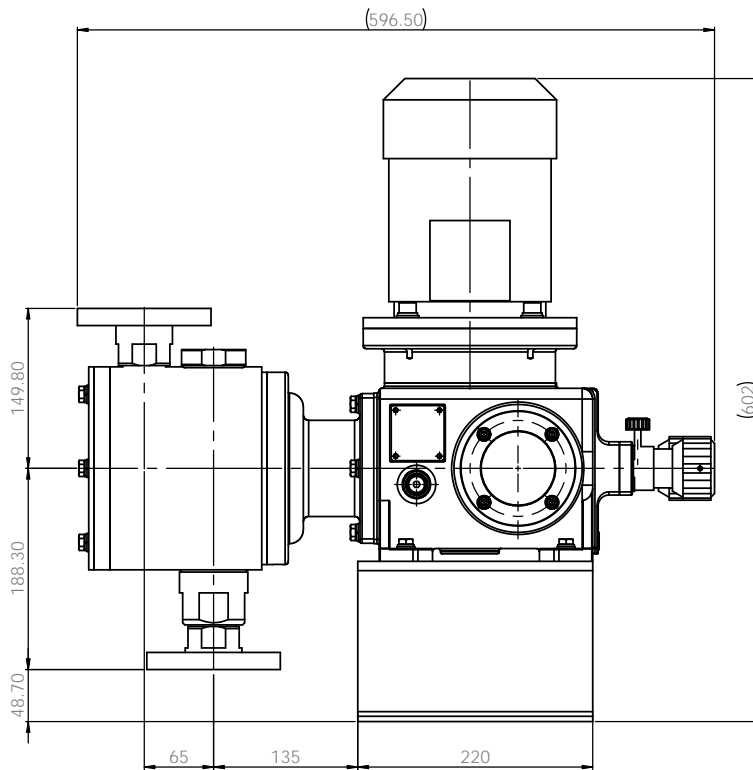
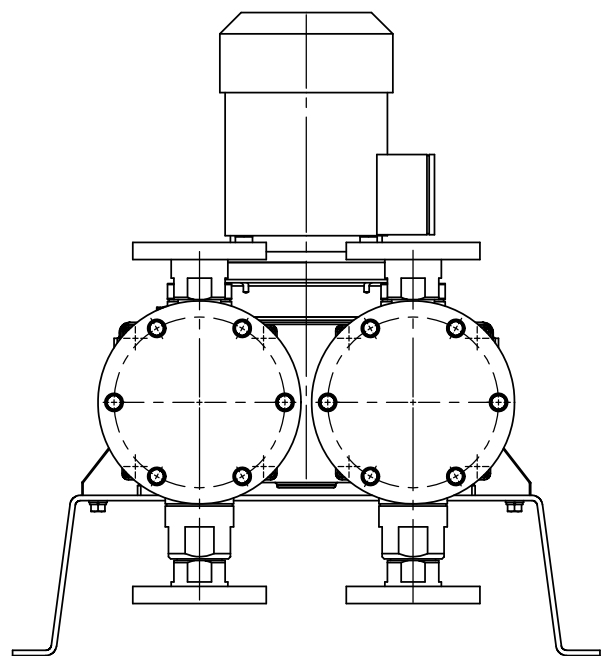
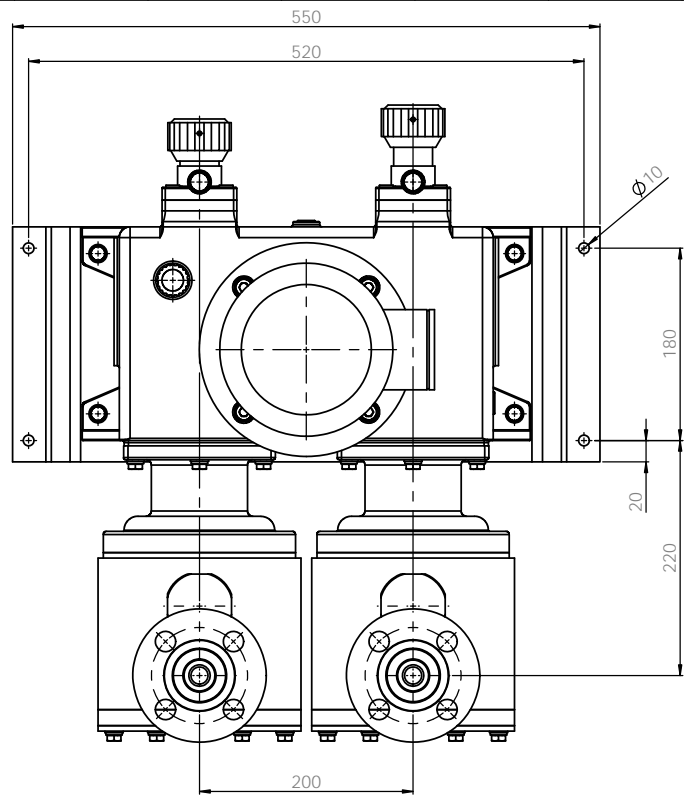
**Note**  
 1. Model : JUMD28L  
 2. Material : PP / PVdF  
 3. Connection : Flange  
 4. Drain valve : Not installed

ALL DIMENSIONS SPECIFIED UNLESS OTHERWISE SPECIFIED DIMENSIONS ARE IN MILLIMETERS UNLESS OTHERWISE SPECIFIED UNLESS OTHERWISE		DIMENSIONS UNLESS OTHERWISE SPECIFIED UNLESS OTHERWISE	DO NOT SCALE DRAWING REVISION
DRAWN W. PAK 2020.02.21	CHECKED W. PAK 2020.02.21	DATE 2020.02.21	E-WHA CHEMICAL FEEDER CO., LTD. PUMP ASSEMBLY-DIM JUMD28LPCF-KS 10K 25A FF
REVISED S.C. KIM 2020.02.21	DATE 2020.02.21	MATERIAL PVC	DRAWING NO. AF1000E1055A A1
SCALE 1:1	SHEET 1 OF 1	REVISION	SHEET 1 OF 1



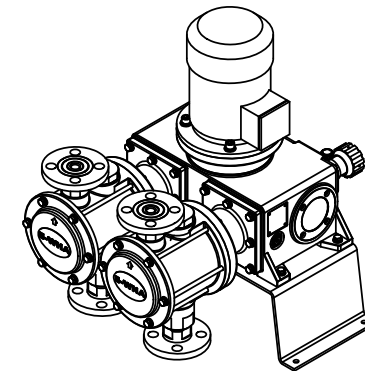
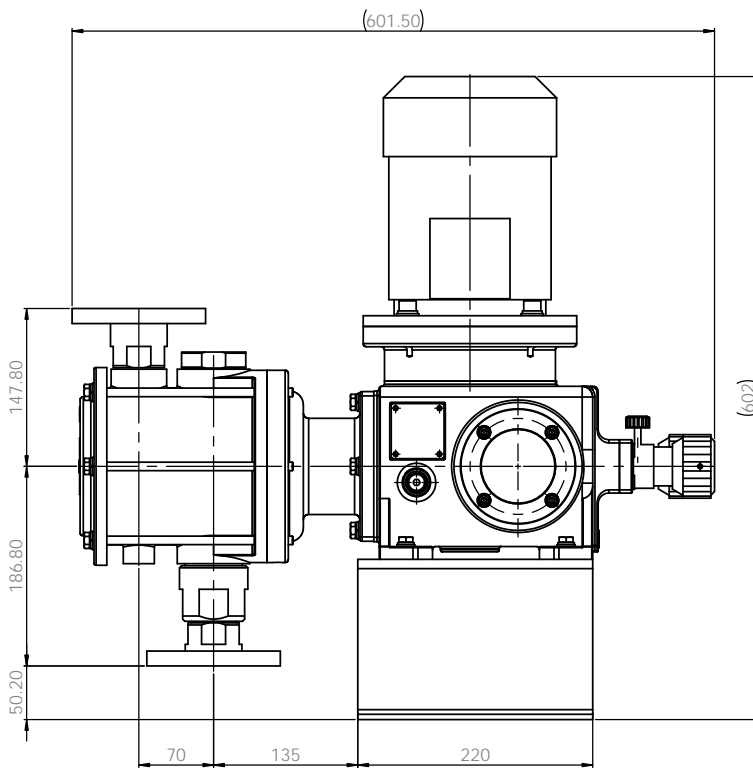
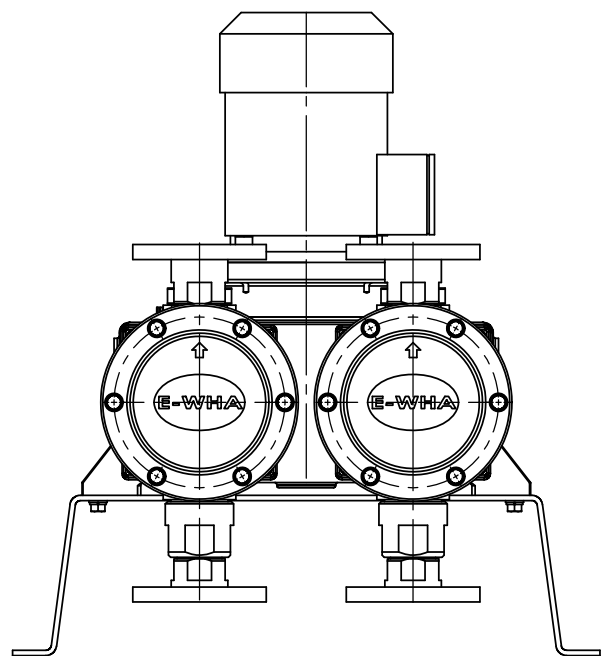
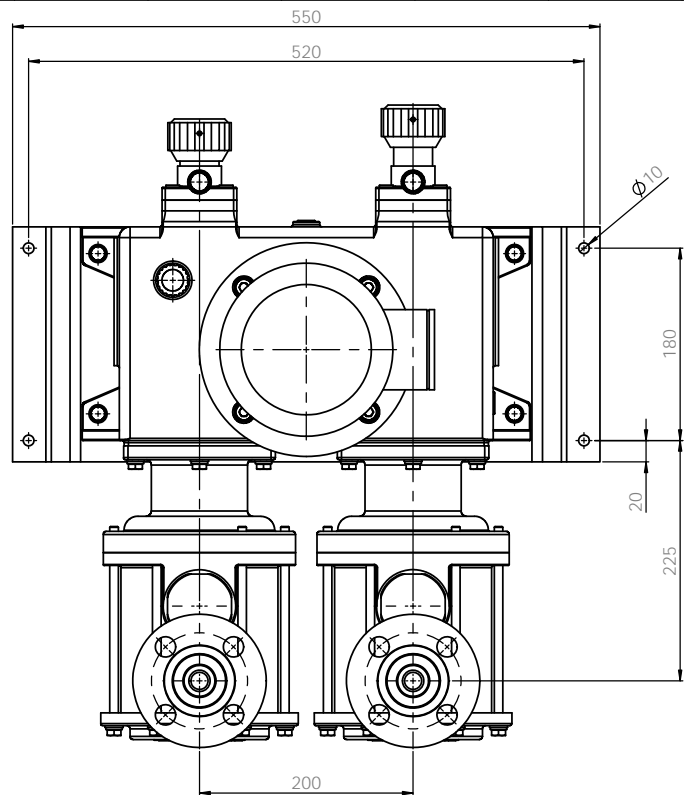
**Note**  
 1. Model : JUMD28L  
 2. Material : PP  
 3. Connection : Flange  
 4. Drain valve : Installed

ALL DIMENSIONS SPECIFIED UNLESS OTHERWISE SPECIFIED DIMENSIONS ARE IN MILLIMETERS		UNITS AND BREAK SHARP EDGES		DO NOT SCALE DRAWING		REVISION	
DATE	BY	DATE	BY	E-WHA CHEMICAL FEEDER CO., LTD.			
05/08/22	W. PAK	05/08/22	W. PAK	PUMP ASSEMBLY-DIM			
05/08/22	S.C. KHA	05/08/22	S.C. KHA	JUMD28LPCFD-KS 10K 25A FF			
MATERIAL		DRAWING NO.		A1			
PVC		AF1000E1056A					
SCALE 1:1		SHEET 1 OF 1					



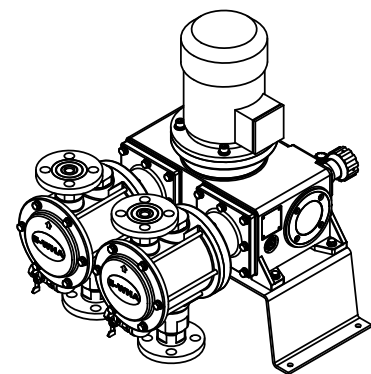
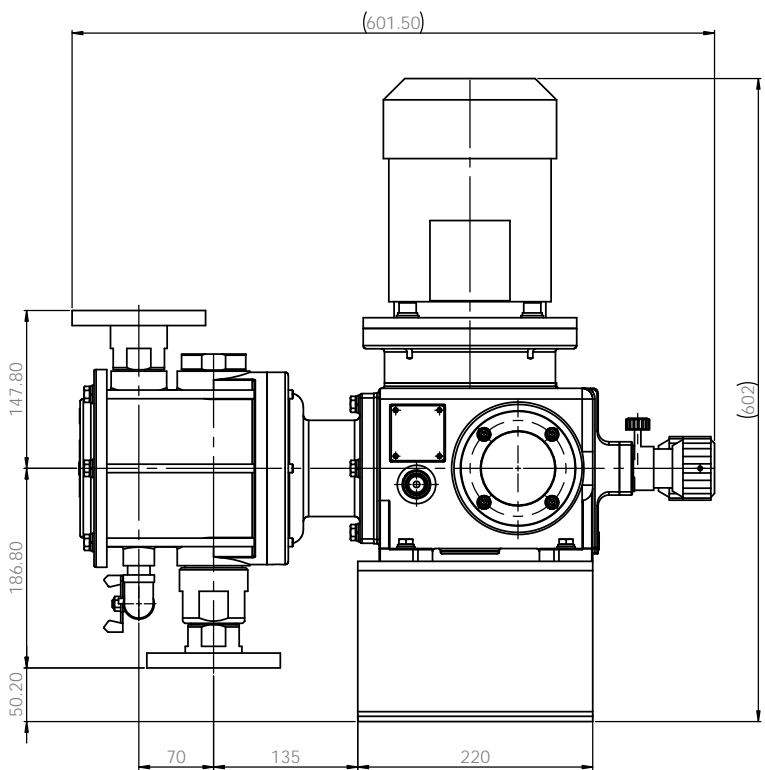
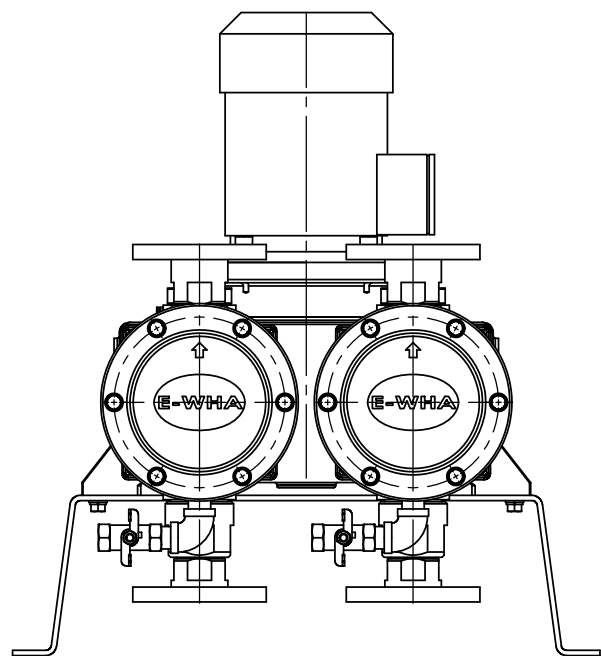
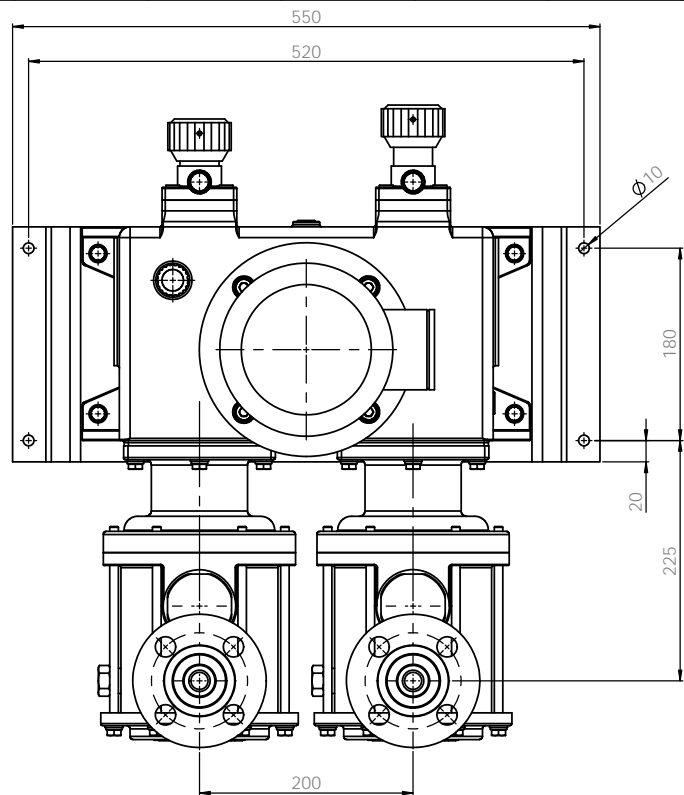
**Note**  
 1. Model : JUMD28L  
 2. Material : PTFE  
 3. Connection : Flange  
 4. Drain valve : N / A

ALL DIMENSIONS SPECIFIED UNLESS OTHERWISE SPECIFIED DIMENSIONS ARE IN MILLIMETERS		UNITS: ANGLES: DEGREE		DO NOT SCALE DRAWING		REVISION	
DATE	BY	DATE	BY	DATE	BY	DATE	BY
2020.02.21		2020.02.21		2020.02.21		2020.02.21	
2020.02.21		2020.02.21		2020.02.21		2020.02.21	
MATERIAL: PTFE				DIMENSION: AF1004E1055A		A1	
SCALE: 1:1				SHEET: 1 OF 1		E-WHA CHEMICAL FEEDER CO., LTD.	



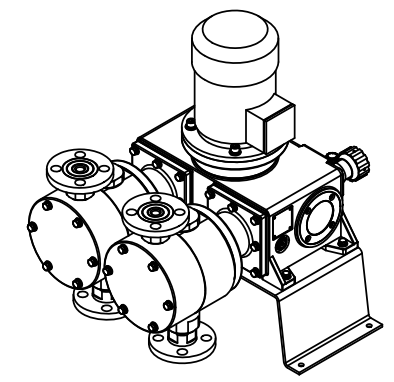
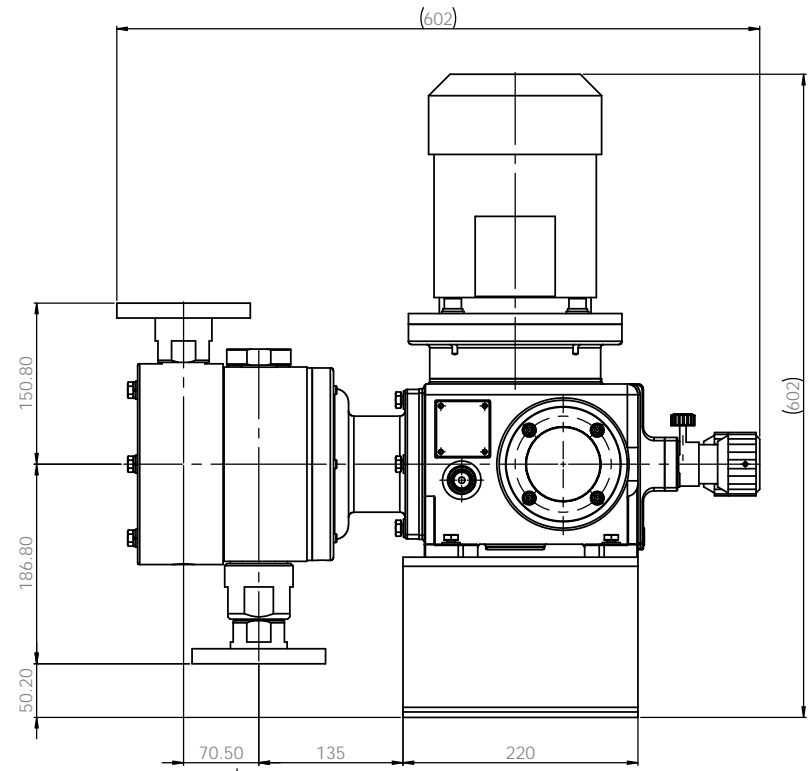
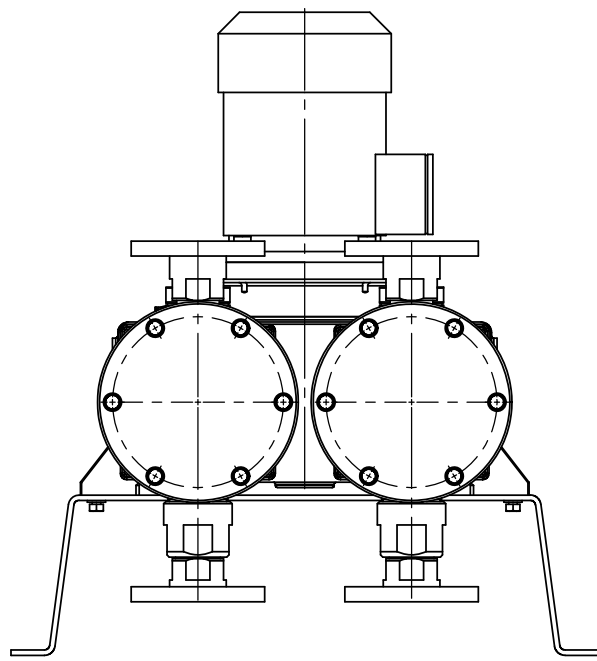
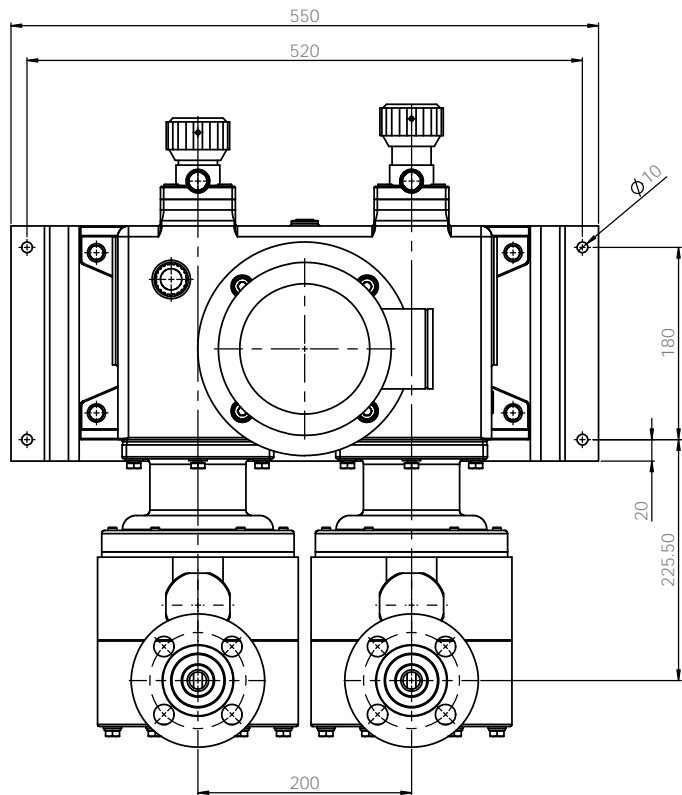
**Note**  
 1. Model : JUMD28L  
 2. Material : Stainless steel(Cast)  
 3. Connection : Flange  
 4. Drain valve : Not installed

ALL DIMENSIONS SPECIFIED UNLESS OTHERWISE SPECIFIED DIMENSIONS ARE IN MILLIMETERS TOLERANCES: HORIZONTAL ANGULAR				FINISH	SCALE AND BREAK SHARP EDGES	DO NOT SCALE DRAWING	REVISION
DATE	DATE	DATE	DATE				
DESIGNER	W. PARK	DESIGN/DATE	2008.02.21				
DRAWN	W. PARK		2008.02.21				
APPROVED	S.C. KIM		2008.02.22				
CHK							
DATE							
				MATERIAL	FINISH NO.	E-WHA CHEMICAL FEEDER CO., LTD.	
				SUS304	AF1201E1055A	PUMP ASSEMBLY-DIM	
						JUMD28LS4S4F-KS 10K 25A FF	
						SCALE 1:1	
						SHEET 1 OF 1	



**Note**  
 1. Model : JUMD28L  
 2. Material : Stainless steel(Cast)  
 3. Connection : Flange  
 4. Drain valve : Installed

ALL DIMENSIONS SPECIFIED UNLESS OTHERWISE SPECIFIED DIMENSIONS ARE IN MILLIMETERS		UNLESS NOTED OTHERWISE		DO NOT SCALE DRAWING	
DIMENSIONS: LINEAR		ANGLE: ANGULAR		REVISION	
DATE	BY	DATE	BY	E-WHA CHEMICAL FEEDER CO., LTD.	
2024.02.21	W. PARK	2024.02.21	W. PARK	PUMP ASSEMBLY-DIM	
2024.02.21	S.C. KIM	2024.02.21	S.C. KIM	JUMD28LS4S4FD-KS 10K 25A FF	
MATERIAL: SUS304		DRAWING NO: AF1201E1056A		A1	
SCALE: 1:1		SHEET: 1 OF 1			



**Note**

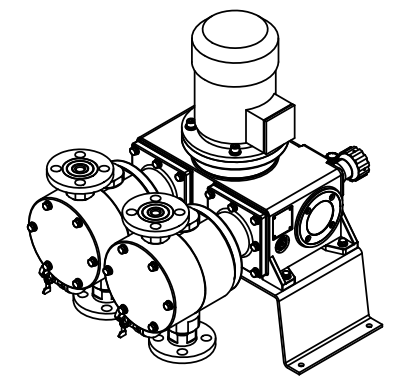
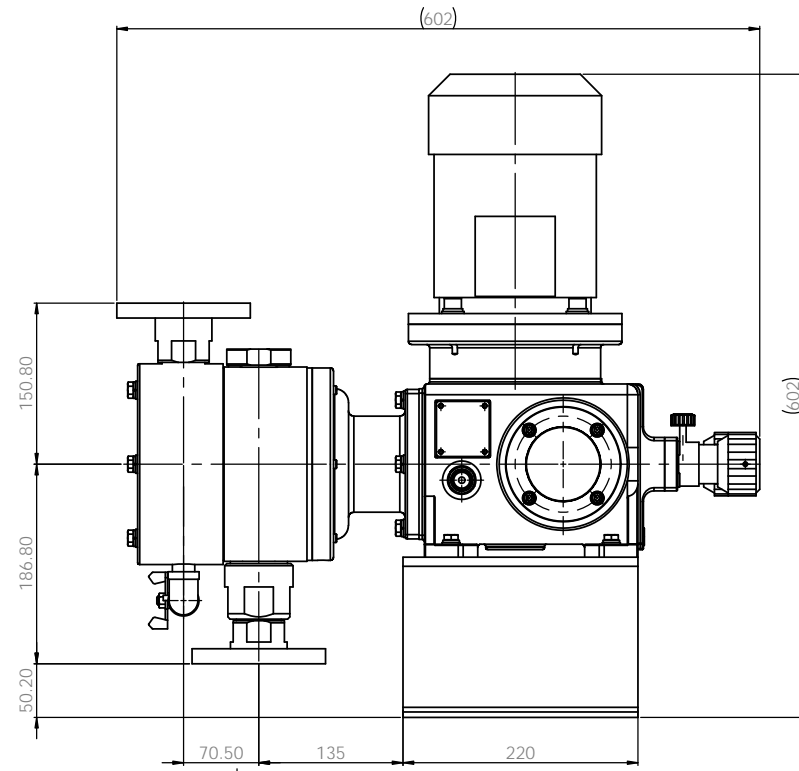
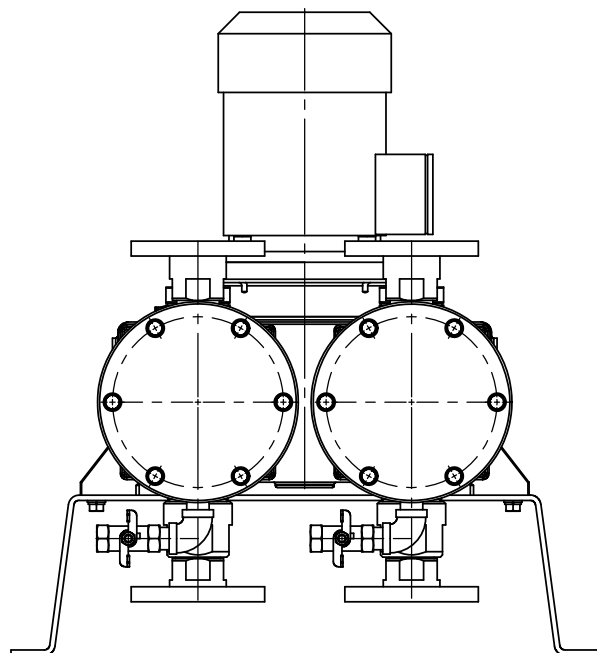
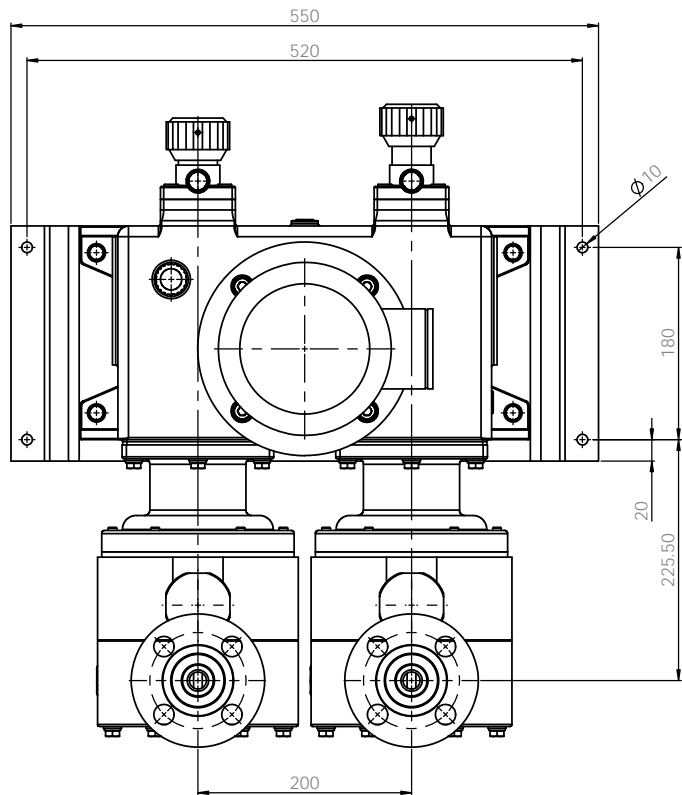
1. Model : *JUMD28L*
2. Material : *Stainless steel*
3. Connection : *Flange*
4. Drain valve : *Not installed*

ALL DIMENSIONS SPECIFIED UNLESS OTHERWISE SHOWN IN MILLIMETERS		FINISH		EDGE AND BREAK SHARP ENDS		DO NOT SCALE DRAWING		REVISION	
DATE	BY	DATE	BY	DATE	BY	DATE	BY	DATE	BY
2024.02.21	W. PAK	2024.02.21	W. PAK	2024.02.21	W. PAK	2024.02.21	W. PAK	2024.02.21	W. PAK
2024.02.21	S.C. KHA	2024.02.21	S.C. KHA	2024.02.21	S.C. KHA	2024.02.21	S.C. KHA	2024.02.21	S.C. KHA
DRAWN		CHECKED		APPROVED		MATERIAL		SUS304	
DATE		BY		DATE		BY		AF1301E1055A	
2024.02.21		W. PAK		2024.02.21		W. PAK		A1	
2024.02.21		S.C. KHA		2024.02.21		S.C. KHA		SCALE 1:1	
DATE		BY		DATE		BY		SHEET 1 OF 1	
2024.02.21		W. PAK		2024.02.21		W. PAK			

**E-WHA CHEMICAL FEEDER CO., LTD.**

**PUMP ASSEMBLY-DIM**

**JUMD28LS4S4F-KS 10K 25A FF**



**Note**  
 1. Model : JUMD28L  
 2. Material : Stainless steel  
 3. Connection : Flange  
 4. Drain valve : Installed

ALL DIMENSIONS SPECIFIED UNLESS OTHERWISE SPECIFIED DIMENSIONS ARE IN MILLIMETERS		FINISH		TOLERANCE AND BREAK SHARP EDGES		DO NOT SCALE DRAWING		REVISION	
DATE	BY	DATE	BY	DATE	BY	DATE	BY	DATE	BY
2024.02.21	W. PAK	2024.02.21	W. PAK	2024.02.21	S.C. KHA				
2024.02.21	S.C. KHA								
MATERIAL		SUS304		DRAWING NO.		AF1301E1056A		A1	
SCALE 1:1		SHEET 1 OF 1							

E-WHA CHEMICAL FEEDER CO., LTD.

PUMP ASSEMBLY-DIM  
 JUMD28LS4S4FD-KS 10K 25A FF