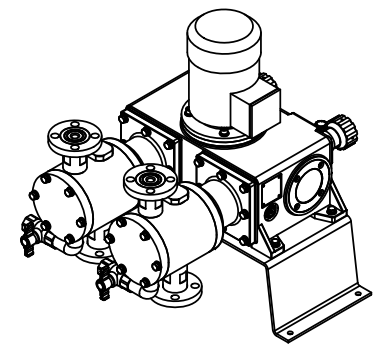
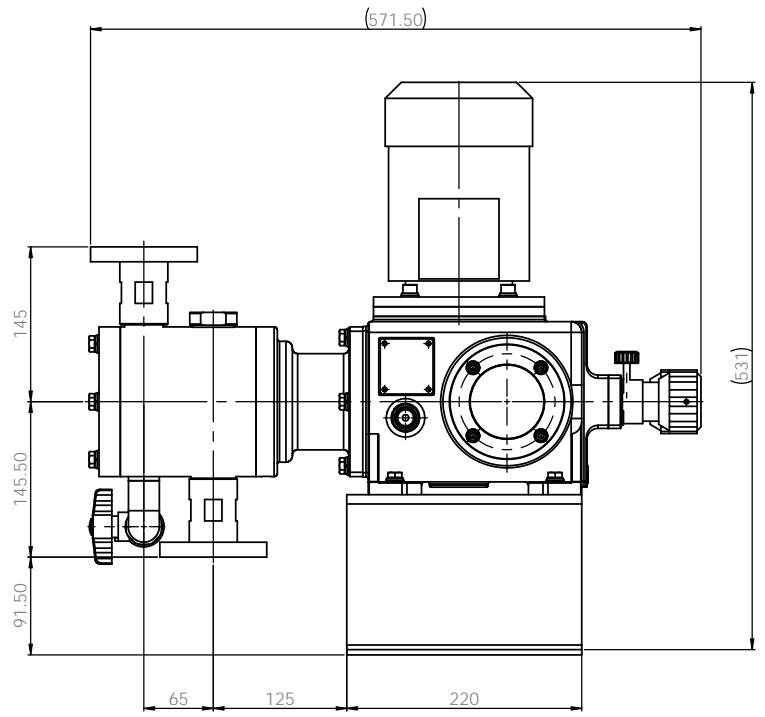
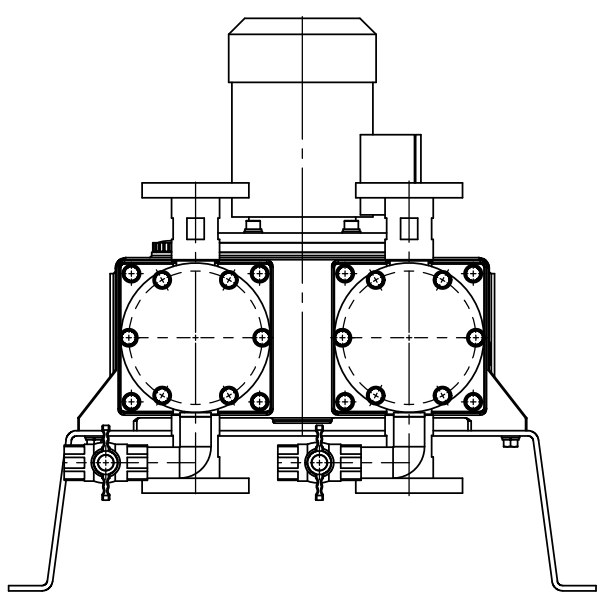
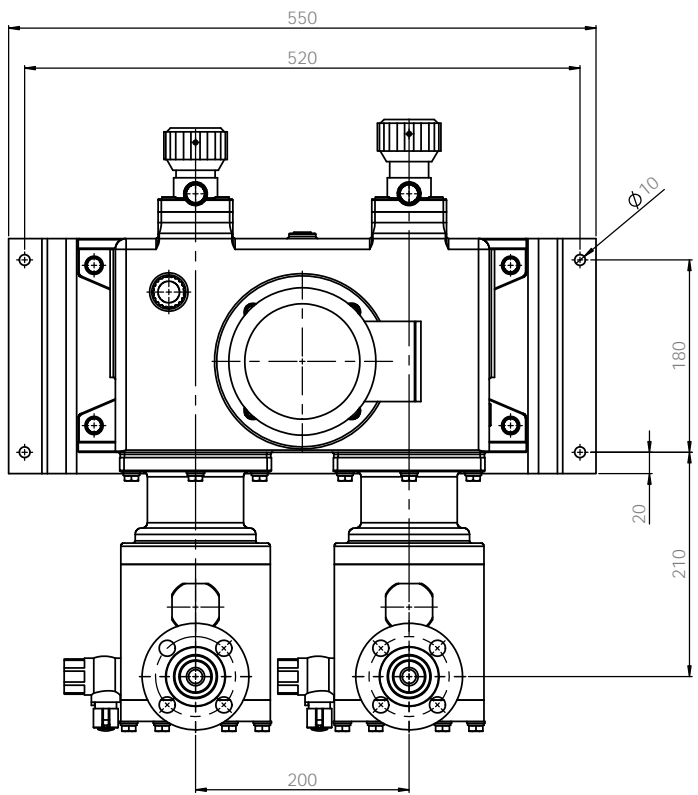


Note
 1. Model : JUMD8000
 2. Material : PP / PVdF
 3. Connection : Flange
 4. Drain valve : Not installed

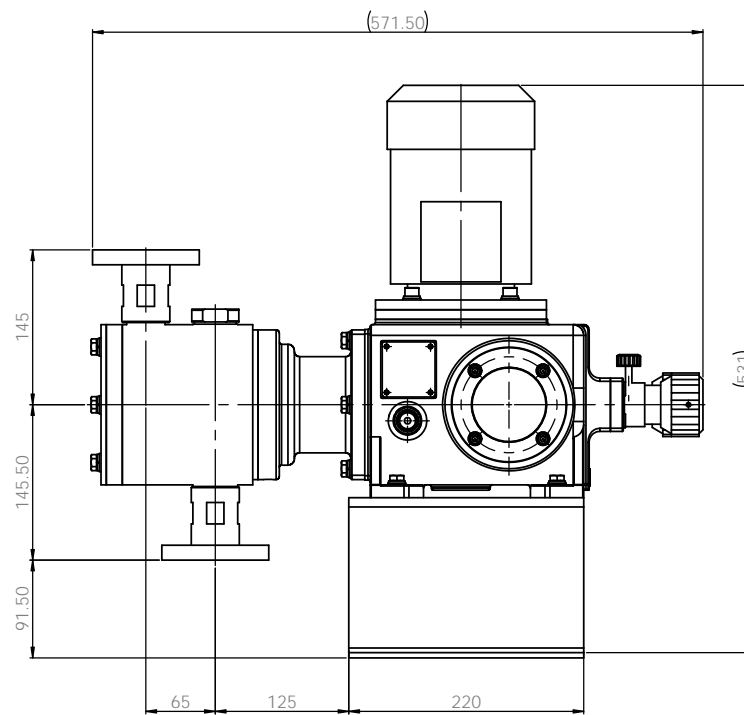
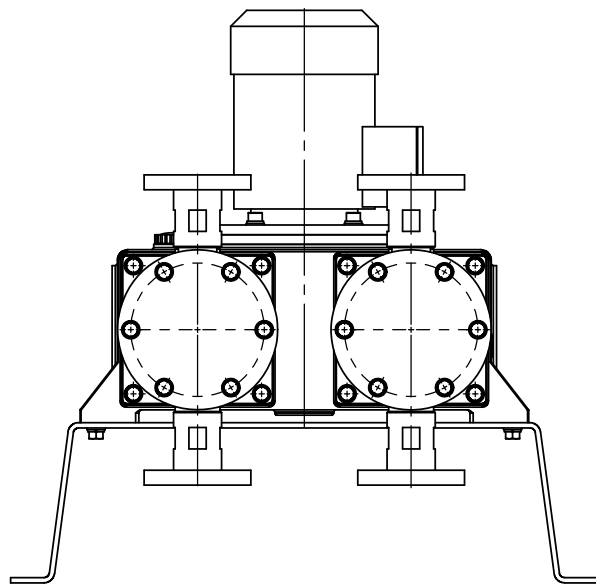
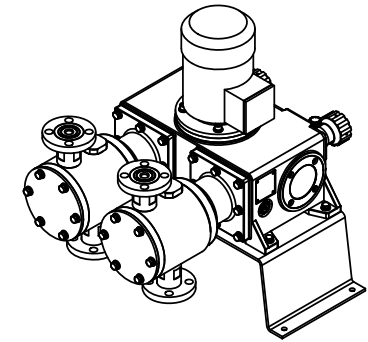
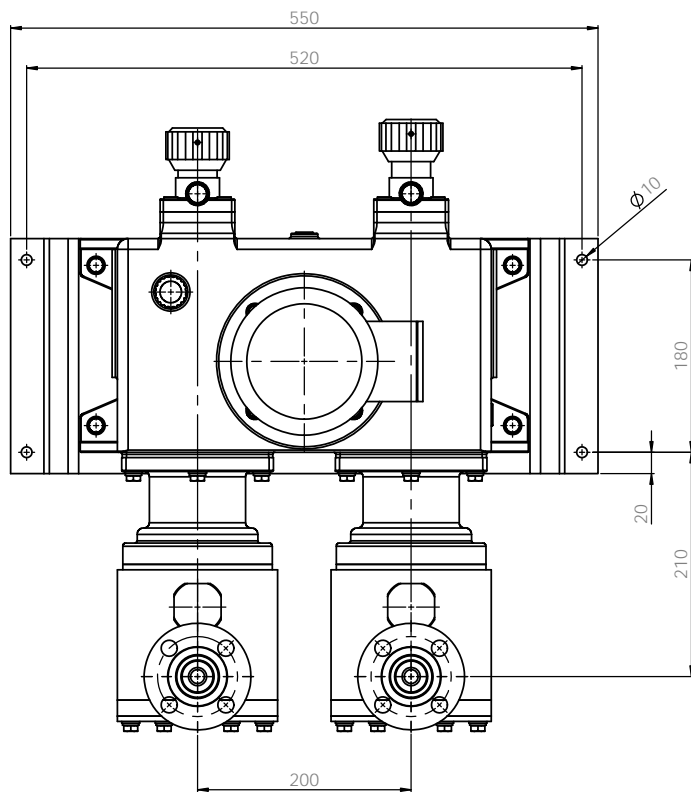
PUMP ASSEMBLY-DIM				E-WHA CHEMICAL FEEDER CO., LTD.	
JUMD8000PCF-KS 10K 20A FF				PUMP ASSEMBLY-DIM	
AF1000E1035B				AF1000E1035B	
PVC				PVC	
SCALE 1:1				SCALE 1:1	
SHEET 1 OF 1				SHEET 1 OF 1	



Note

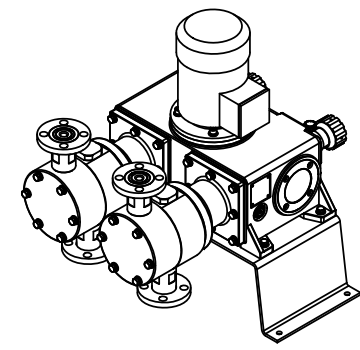
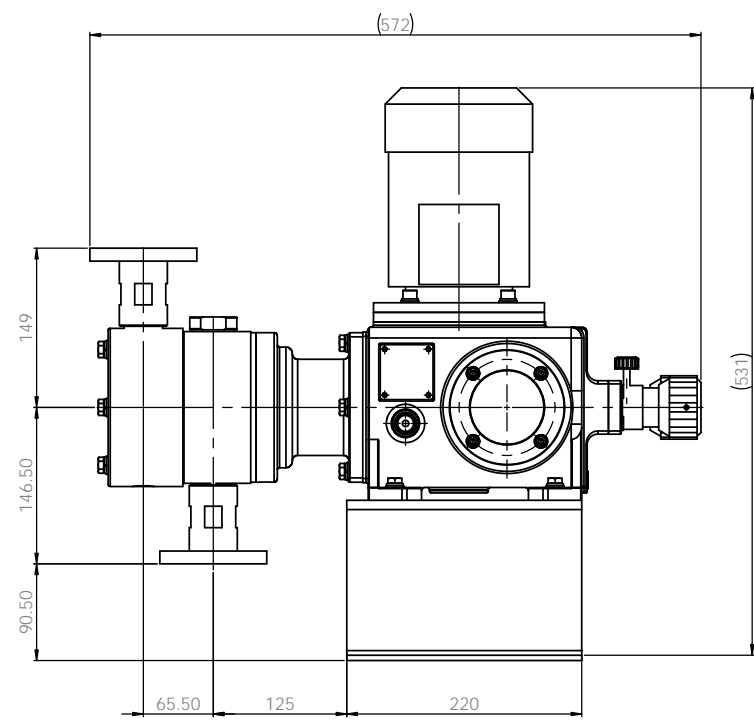
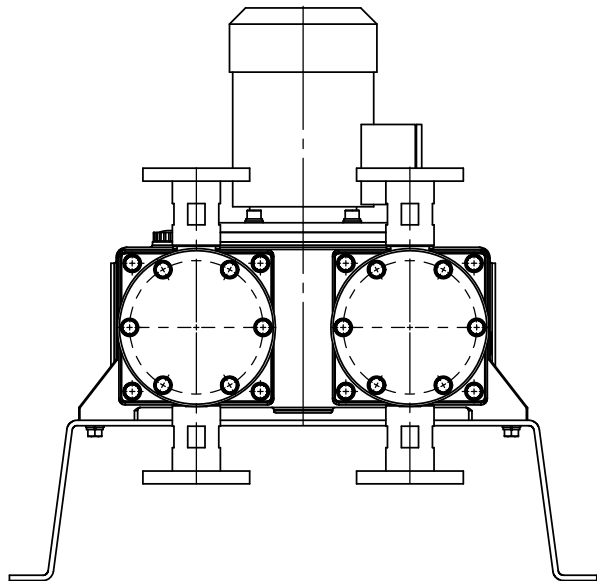
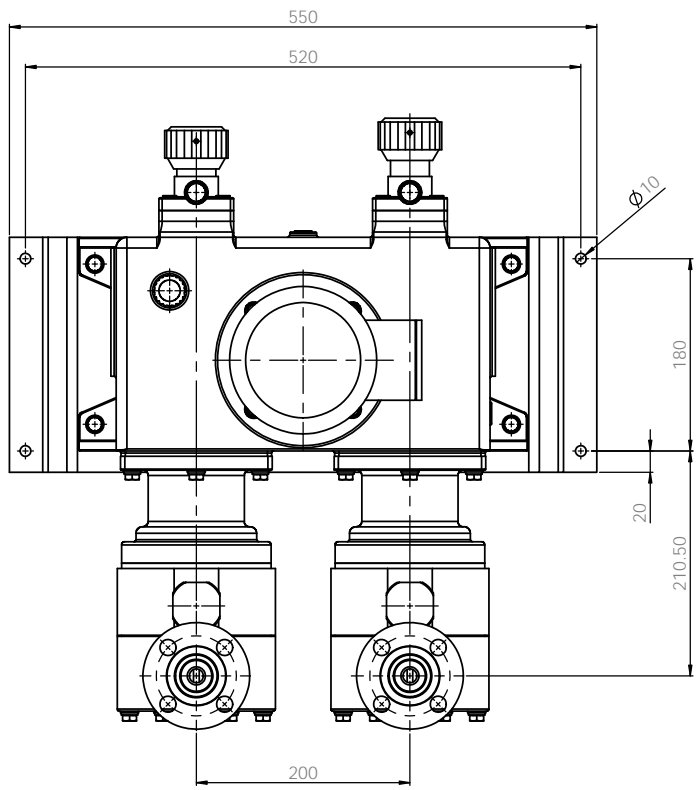
1. Model : JUMD8000
2. Material : PP
3. Connection : Flange
4. Drain valve : Installed

PUMP ASSEMBLY-DIM		E-WHA CHEMICAL FEEDER CO., LTD.	
JUMD8000PCFD-KS 10K 20A FF		PUMP ASSEMBLY-DIM	
AF1000E1036B		JUMD8000PCFD-KS 10K 20A FF	
PVC		AF1000E1036B	
SCALE 1:1		SHEET 1 OF 1	



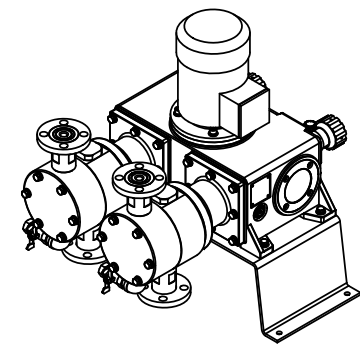
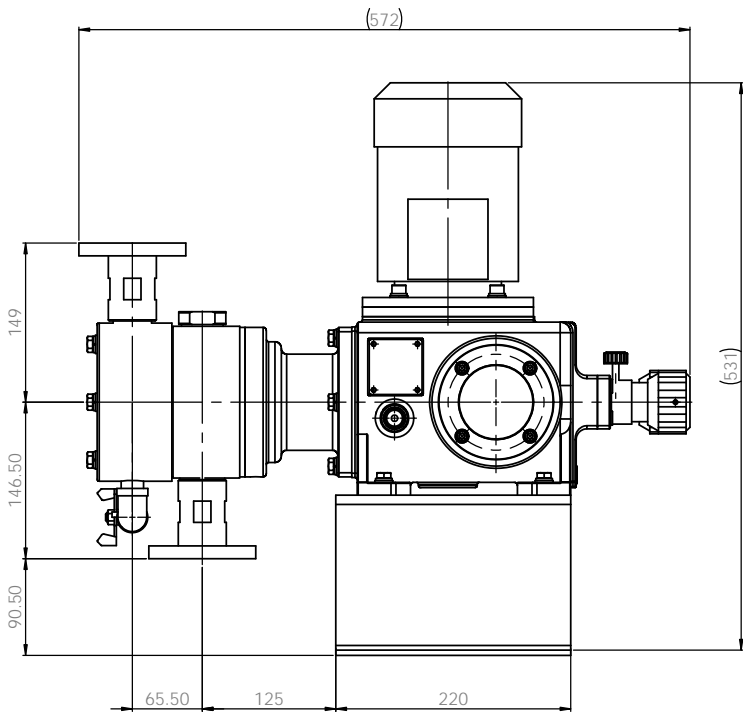
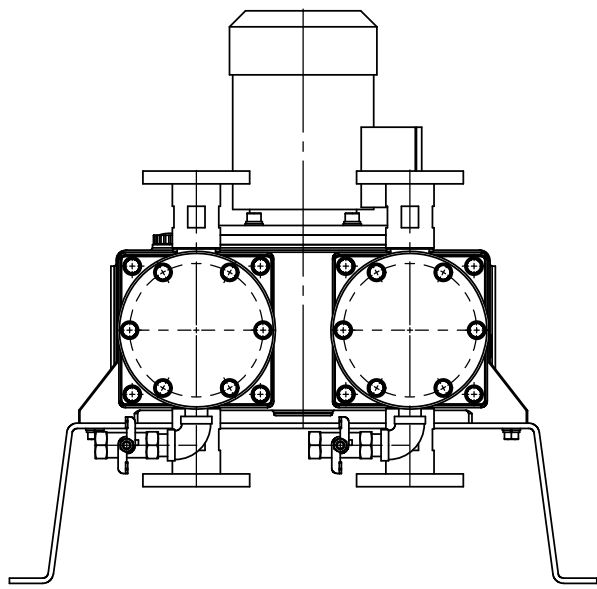
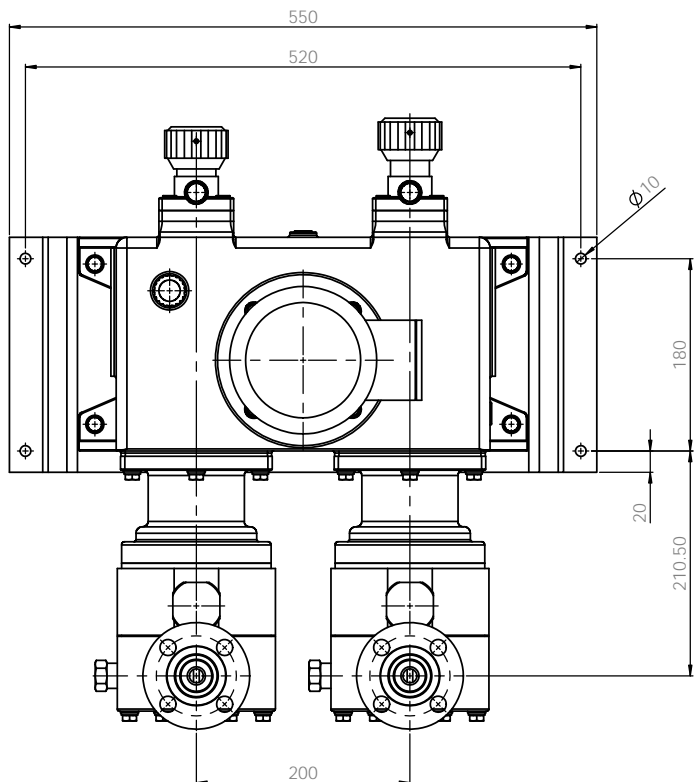
Note
 1. Model : JUMD8000
 2. Material : PTFE
 3. Connection : Flange
 4. Drain valve : N / A

PUMP ASSEMBLY-DIM				E-WHA CHEMICAL FEEDER CO., LTD.	
JUMD8000TCF-KS 10K 20A FF				PUMP ASSEMBLY-DIM	
AF1004E1035B				AF1004E1035B	
PTFE				PTFE	
SCALE 1:1				SCALE 1:1	
SHEET 1 OF 1				SHEET 1 OF 1	



Note
 1. Model : JUMD8000
 2. Material : Stainless steel
 3. Connection : Flange
 4. Drain valve : Not installed

ALL DIMENSIONS SPECIFIED UNLESS OTHERWISE SPECIFIED DIMENSIONS ARE IN MILLIMETERS UNLESS INDICATED UNLESS ANGULAR		FINISH BRASS AND BRASS SHARP EDGE	DO NOT SCALE DRAWING REVISION
DRAWN : W. PARK CHECK : W. PARK APPROV : S.C. KIM DATE : 2020.02.21 DATE : 2020.02.21 DATE : 2020.02.21	MESH DATE : DATE : DATE :	MATERIAL : SUS304 FINISH :	E-WHA CHEMICAL FEEDER CO., LTD. PUMP ASSEMBLY-DIM JUMD8000S4S4F-KS 10K 20A FF DWG. NO. : AF1301E1035B SCALE : 1:1 SHEET : 1 OF 1



Note
 1. Model : JUMD8000
 2. Material : Stainless steel
 3. Connection : Flange
 4. Drain valve : Installed

PUMP ASSEMBLY-DIM		E-WHA CHEMICAL FEEDER CO., LTD.	
JUMD8000S4S4FD-KS 10K 20A FF		AF1301E1036B	
MATERIAL: SUS304		DRAWING NO: AF1301E1036B	
SCALE: 1:1		SHEET: 1 OF 1	