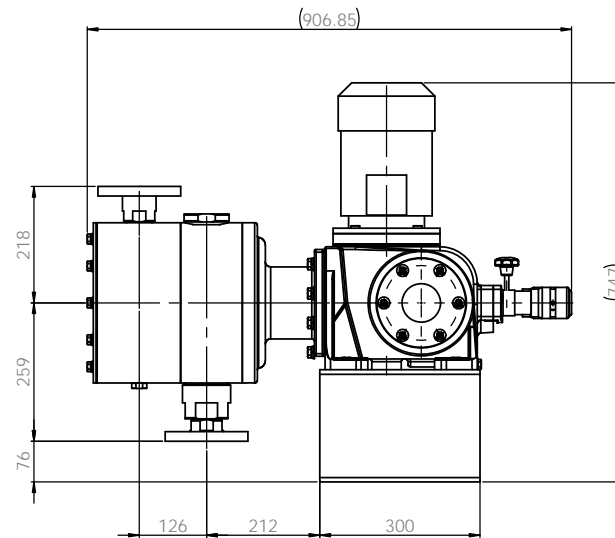
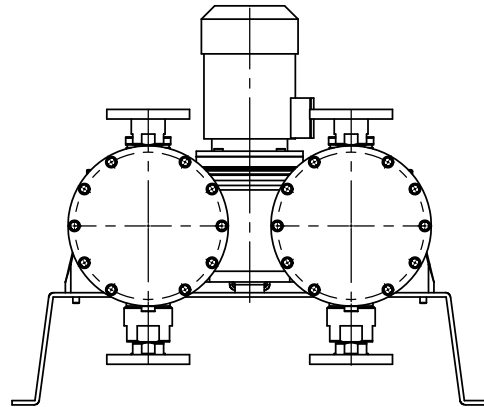
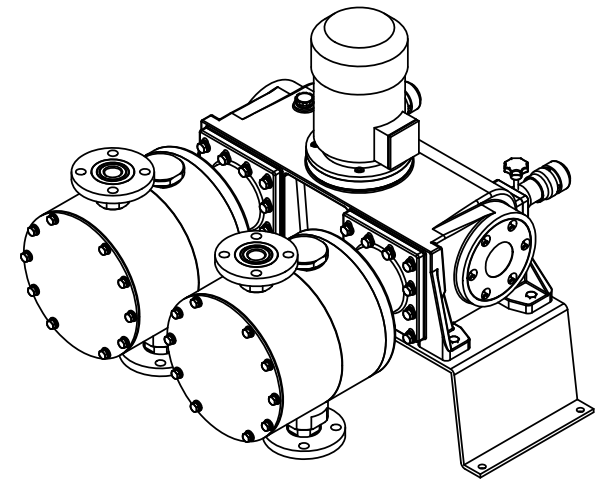
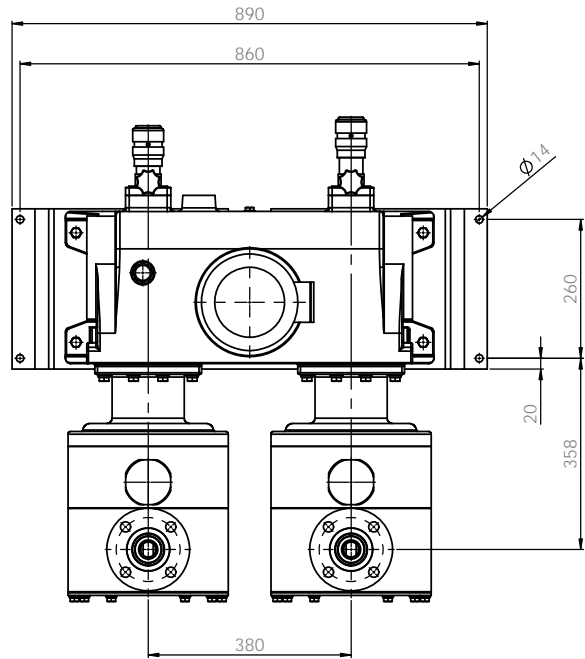


- Note**
1. Model : JULD100L
 2. Material : PP / PVdF
 3. Connection : Flange
 4. Drain valve : Not installed

ALL DIMENSIONS SPECIFIED UNLESS OTHERWISE SPECIFIED DIMENSIONS ARE IN MILLIMETERS		UNITS		SCALE AND BREAK SHARP EDGES		DO NOT SCALE DRAWING		REVISION	
TOLERANCES UNLESS OTHERWISE SPECIFIED		ANGULAR							
DATE	BY	DATE	BY	DATE	BY	DATE	BY	DATE	BY
2020.02.21	W. PARK	2020.02.21	W. PARK	2020.02.21	S.C. KIM				
2020.02.21	S.C. KIM								
MATERIAL		PVC		DRAWING NO.		AK1300E1019B		A1	
EQUIP.				SCALE 1:1		SHEET 1 OF 1			

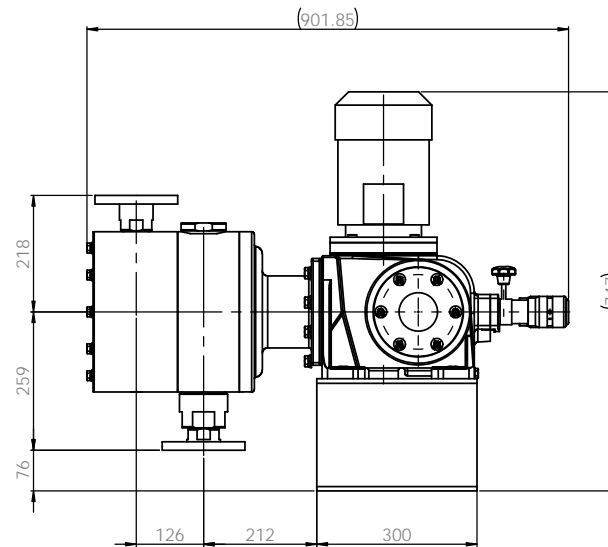
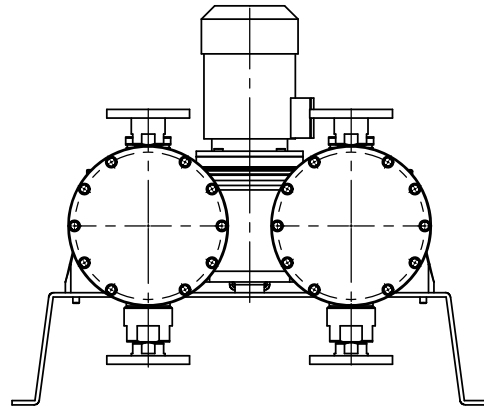
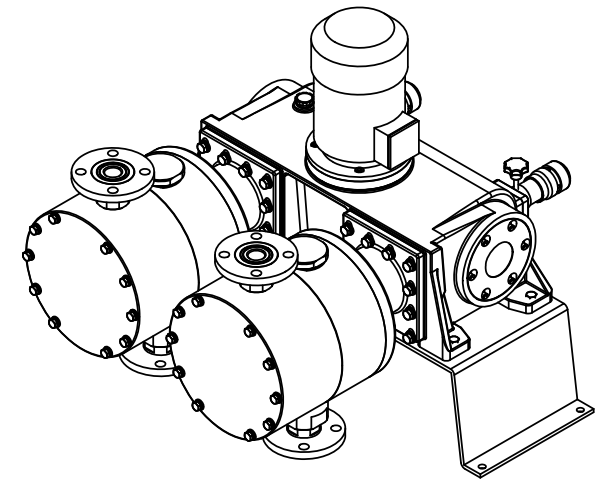
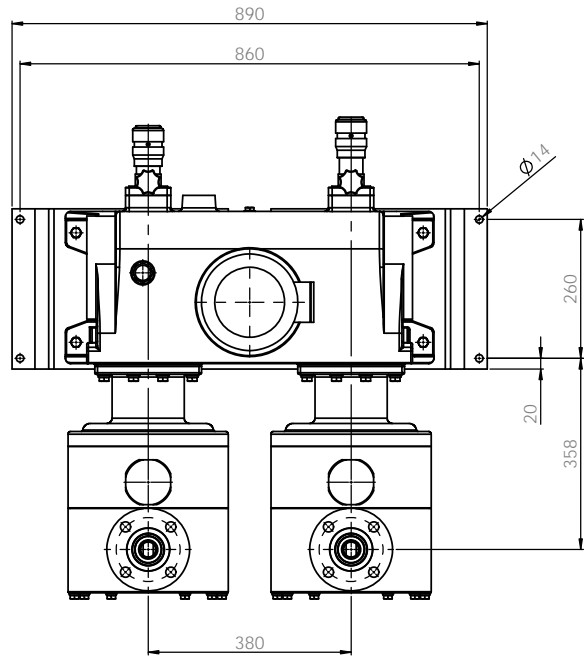
E-WHA CHEMICAL FEEDER CO., LTD.

PUMP ASSEMBLY-DIM
JULD100LPCF-KS 10K 50A FF



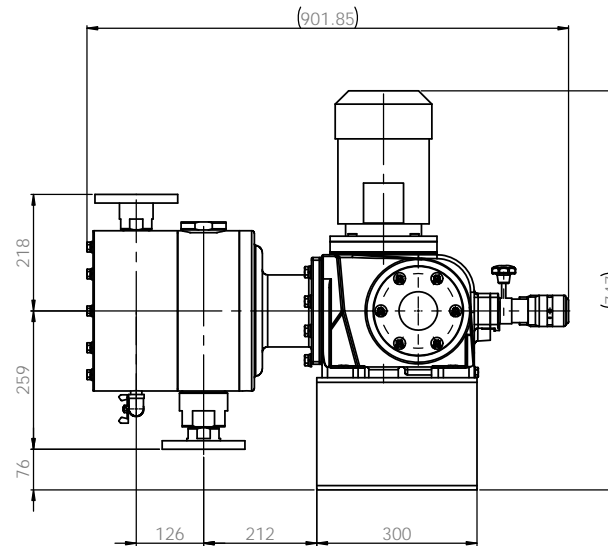
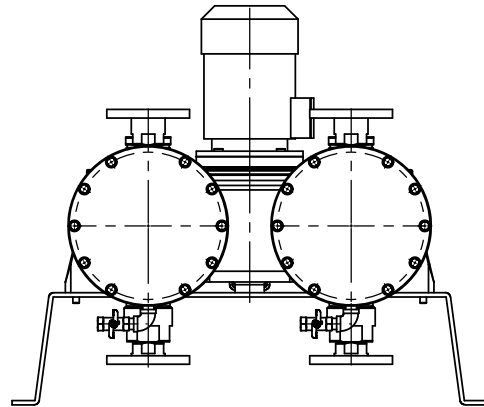
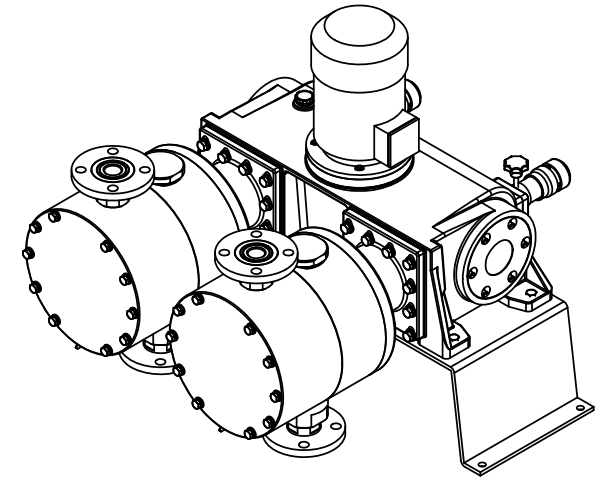
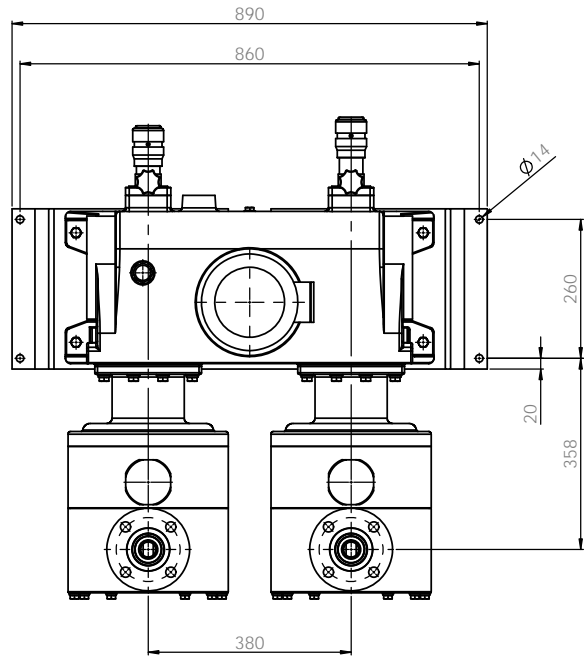
Note
 1. Model : JULD100L
 2. Material : PTFE
 3. Connection : Flange
 4. Drain valve : N / A

ALL DIMENSIONS SPECIFIED UNLESS OTHERWISE SPECIFIED DIMENSIONS ARE IN MILLIMETERS UNLESS INDICATED OTHERWISE		FINISH		TOLERANCE AND BREAK SHARP EDGES		DO NOT SCALE DRAWING		REVISION	
DATE	BY	DATE	BY	DATE	BY	DATE	BY	DATE	BY
2020.02.21	W. PARK	2020.02.21	W. PARK	2020.02.21	S.C. KIM				
2020.02.21	W. PARK	2020.02.21	W. PARK	2020.02.21	S.C. KIM				
2020.02.21	S.C. KIM	2020.02.21	S.C. KIM	2020.02.21	S.C. KIM				
D/A		MATERIAL		PTFE		DWG. NO.		AK1304E1019B	
REVISION		SCALE 1:1		SHEET 1 OF 1		E-WHA CHEMICAL FEEDER CO., LTD.		PUMP ASSEMBLY-DIM JULD100LTCF-KS 10K 50A FF	



Note
 1. Model : JULD100L
 2. Material : Stainless steel
 3. Connection : Flange
 4. Drain valve : Not installed

ALL DIMENSIONS SPECIFIED UNLESS OTHERWISE SPECIFIED DIMENSIONS ARE IN MILLIMETERS		UNITS		SCALE AND BREAK SHARP EDGES		DO NOT SCALE DRAWING		REVISION	
TOLERANCES UNLESS OTHERWISE SPECIFIED		ANGULAR							
DATE	BY	DATE	BY	DATE	BY	DATE	BY	DATE	BY
2020.02.21	W. PAK	2020.02.21	W. PAK	2020.02.21	S.C. KHA				
2020.02.21	S.C. KHA								
MATERIAL		SUS304		DWG NO.		AK1301E1019B		A1	
E-WHA CHEMICAL FEEDER CO., LTD.		PUMP ASSEMBLY-DIM		JULD100LS4S4F-KS 10K 50A FF		SCALE 1:1		SHEET 1 OF 1	



Note
 1. Model : JULD100L
 2. Material : Stainless steel
 3. Connection : Flange
 4. Drain valve : Installed

ALL DIMENSIONS SPECIFIED UNLESS OTHERWISE SPECIFIED DIMENSIONS ARE IN MILLIMETERS		FINISH		TOLERANCE AND BREAK SHARP EDGES		DO NOT SCALE DRAWING		REVISION	
TOLERANCE: HORIZONTAL ANGULAR								E-WHA CHEMICAL FEEDER CO., LTD.	
DATE	DATE	DATE	DATE						
DESIGNER	W. PAKK	DESIGN/REV							
CHECKER	W. PAKK	DATE	2020.02.21						
APPROVED	S.C. KHA	DATE	2020.02.22						
BY									
DRAWING NO.		MATERIAL	SUS304	DWG. NO.	AK1301E1020B				A1
		SCALE	1:1	SHEET		1 OF 1			