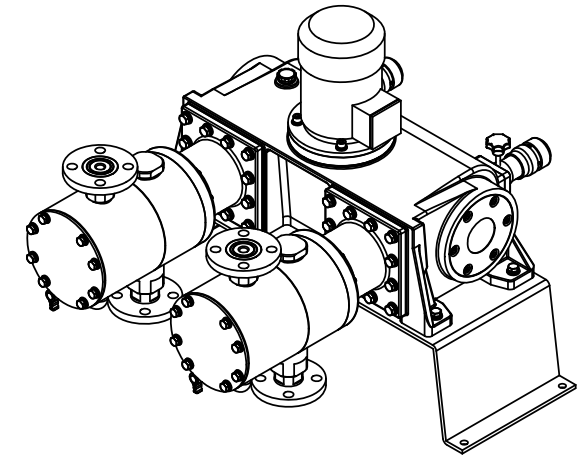
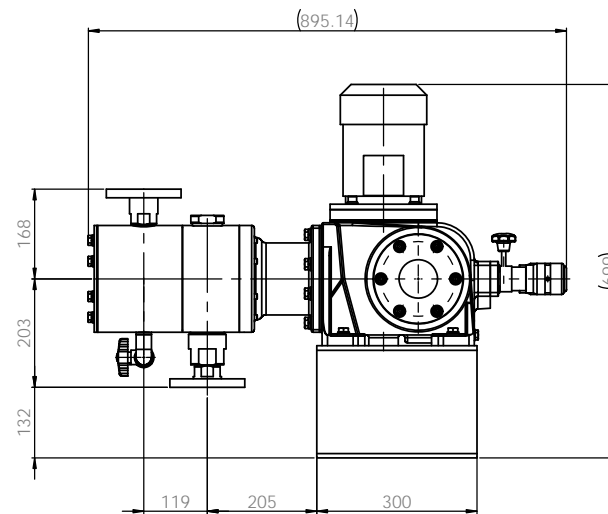
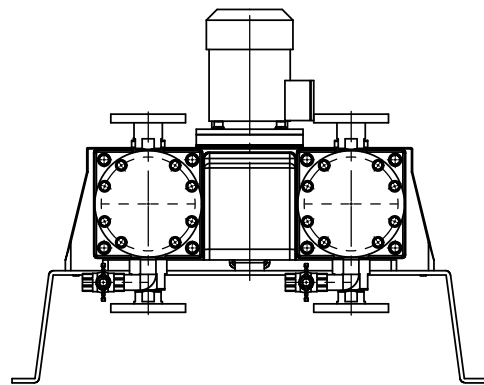
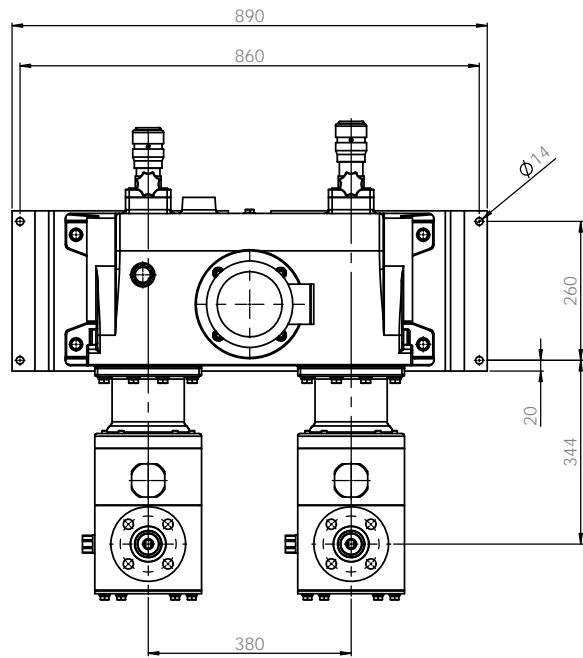


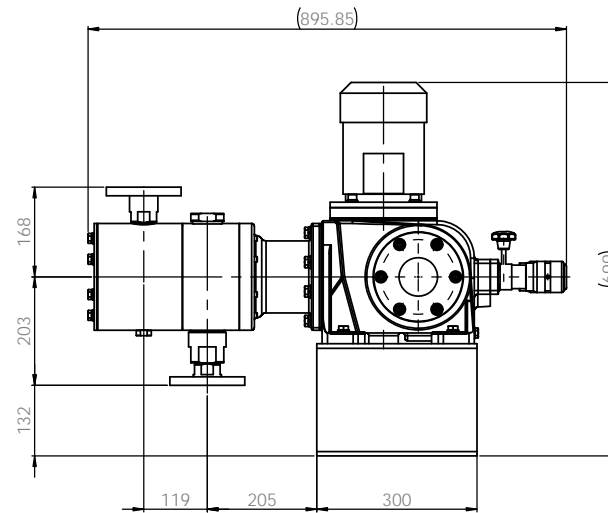
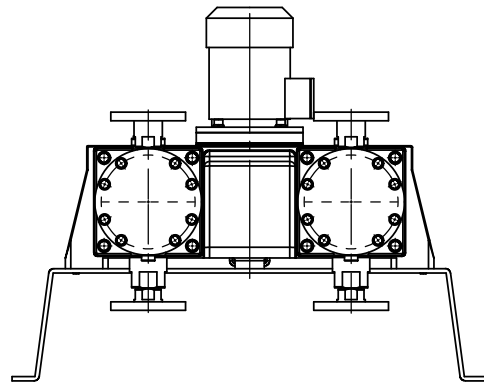
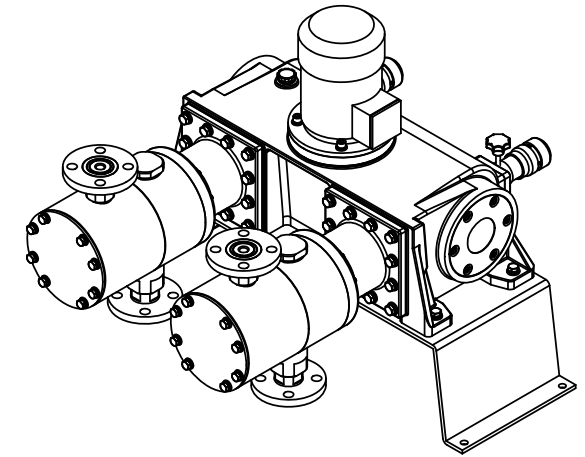
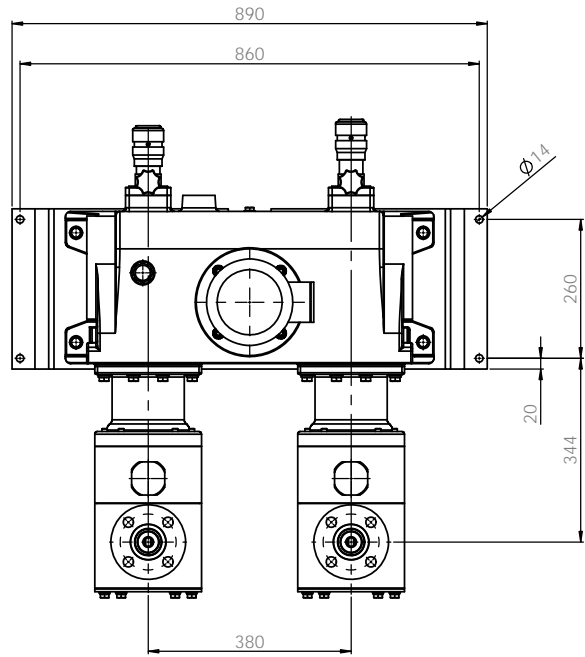
**Note**  
 1. Model : JULD20L  
 2. Material : PP / PVdF  
 3. Connection : Flange  
 4. Drain valve : Not installed

ALL DIMENSIONS SPECIFIED UNLESS OTHERWISE SPECIFIED DIMENSIONS ARE IN MILLIMETERS UNLESS INDICATED UNLESS OTHERWISE		FINISH BRASS AND BRASS SHARP ENDS	DO NOT SCALE DRAWING REVISION
DRAWN W. PARK 2020.02.21	CHECKED W. PARK 2020.02.21	DATE 2020.02.21	E-WHA CHEMICAL FEEDER CO., LTD. PUMP ASSEMBLY-DIM JULD20LPCF-KS 10K 40A FF
REVISED S.C. KIM 2020.02.21	DATE 2020.02.21	MATERIAL PVC	DRAWING NO. AK1300E1003C
D.L.A.	REVISION	SCALE 1:1	SHEET 1 OF 1



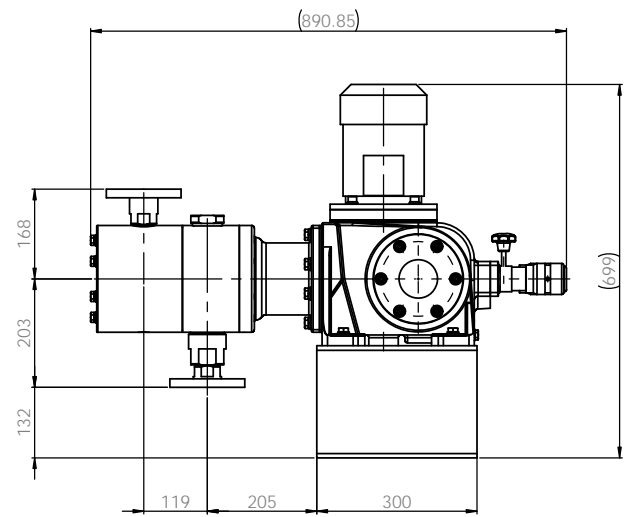
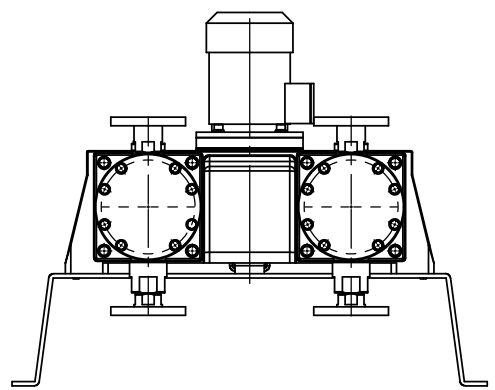
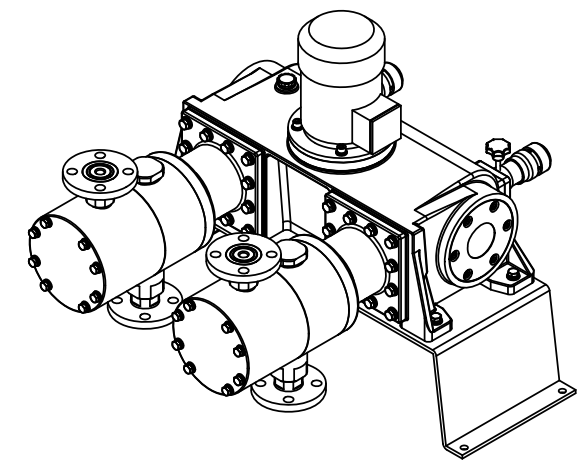
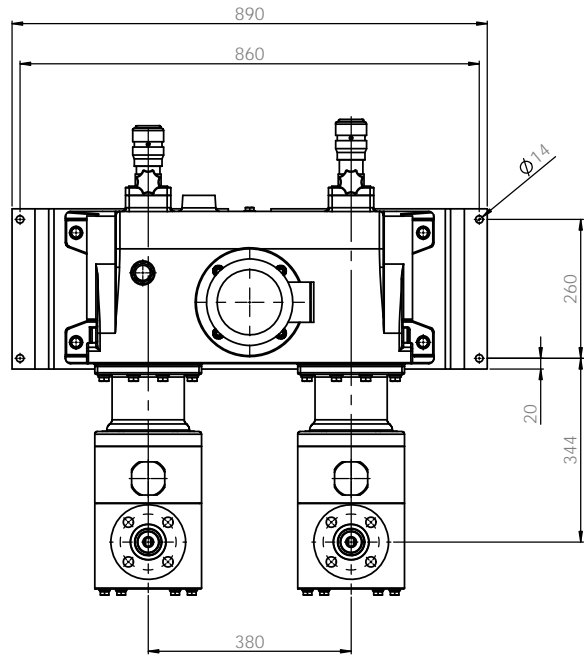
**Note**  
 1. Model : JULD20L  
 2. Material : PP  
 3. Connection : Flange  
 4. Drain valve : Installed

PUMP ASSEMBLY-DIM		E-WHA CHEMICAL FEEDER CO., LTD.	
JULD20LPCFD-KS 10K 40A FF		AK1300E1004C	
PVC		A1	



**Note**  
 1. Model : JULD20L  
 2. Material : PTFE  
 3. Connection : Flange  
 4. Drain valve : N / A

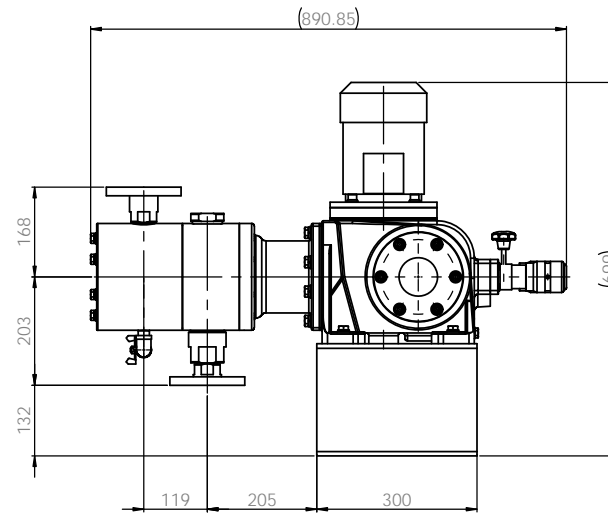
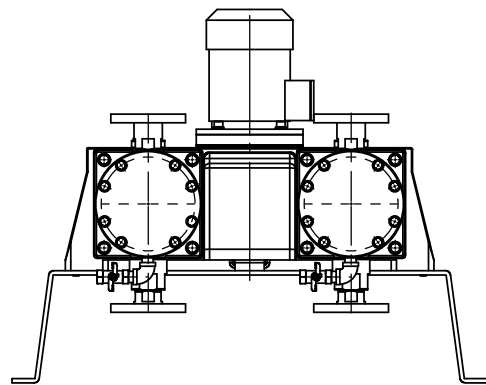
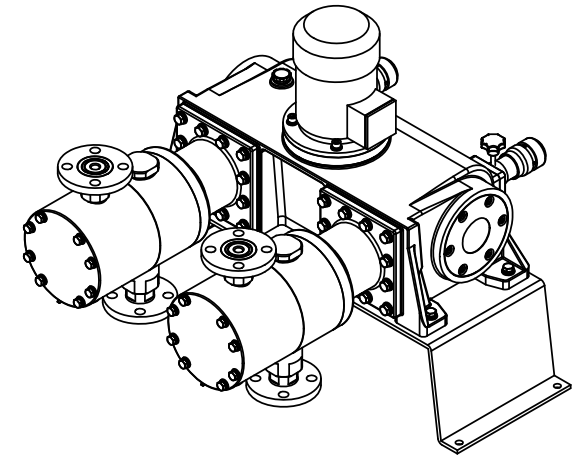
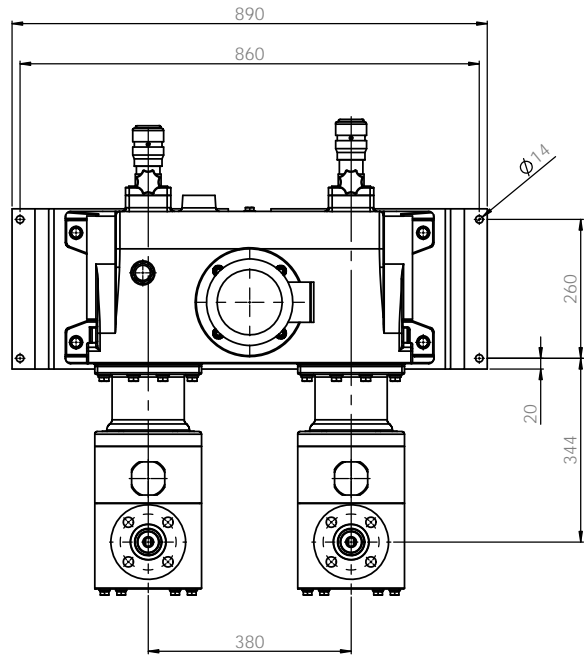
ALL DIMENSIONS SPECIFIED UNLESS OTHERWISE SPECIFIED DIMENSIONS ARE IN MILLIMETERS UNLESS INDICATED OTHERWISE		FINISH		TOLERANCE AND BREAK SHARP EDGES		DO NOT SCALE DRAWING		REVISION	
DATE	BY	DATE	BY	DATE	BY	E-WHA CHEMICAL FEEDER CO., LTD.			
2020.02.21	W. PARK	2020.02.21	W. PARK			PUMP ASSEMBLY-DIM			
2020.02.21	W. PARK	2020.02.21	W. PARK			JULD20LTCF-KS 10K 40A FF			
2020.02.21	S.C. KIM	2020.02.21	S.C. KIM			AK1304E1003C			
						A1			
MATERIAL		PTFE		SCALE IS		SHEET 1 OF 1			



**Note**

1. Model : JULD20L
2. Material : Stainless steel
3. Connection : Flange
4. Drain valve : Not installed

ALL DIMENSIONS SPECIFIED UNLESS OTHERWISE SPECIFIED DIMENSIONS ARE IN MILLIMETERS UNLESS INDICATED OTHERWISE		UNITS		SCALE AND BREAK SHARP EDGES		DO NOT SCALE DRAWING		REVISION	
DATE	BY	DATE	BY	DATE	BY	DATE	BY	DATE	BY
2020.02.21	W. PARK	2020.02.21	W. PARK	2020.02.21	S.C. KIM				
2020.02.21	W. PARK	2020.02.21	W. PARK	2020.02.21	S.C. KIM				
2020.02.21	S.C. KIM	2020.02.21	S.C. KIM	2020.02.21	S.C. KIM				
MATERIAL		SUS304		DIM. NO.		AK1301E1003C		A1	
SCALE		1:1		SHEET		1 OF 1			



**Note**

1. Model : JULD20L
2. Material : Stainless steel
3. Connection : Flange
4. Drain valve : Installed

ALL DIMENSIONS SPECIFIED UNLESS OTHERWISE SPECIFIED DIMENSIONS ARE IN MILLIMETERS		FINISH		RIGID AND BREAK SHARP EDGES		DO NOT SCALE DRAWING		REVISION	
TOLERANCES UNLESS OTHERWISE SPECIFIED		NONE		NONE		NONE		NONE	
DIMENSIONS		NONE		NONE		NONE		NONE	
HOLE		NONE		NONE		NONE		NONE	
DRAWN		W. PARK		2020.02.21		NONE		NONE	
CHECKED		W. PARK		2020.02.21		NONE		NONE	
APPROVED		S.C. KIM		2020.02.21		NONE		NONE	
MATERIAL		SUS304		DRAWING NO.		AK1301E1004C		A1	
SCALE		1:1		SHEET		1 OF 1		E-WHA CHEMICAL FEEDER CO., LTD.	