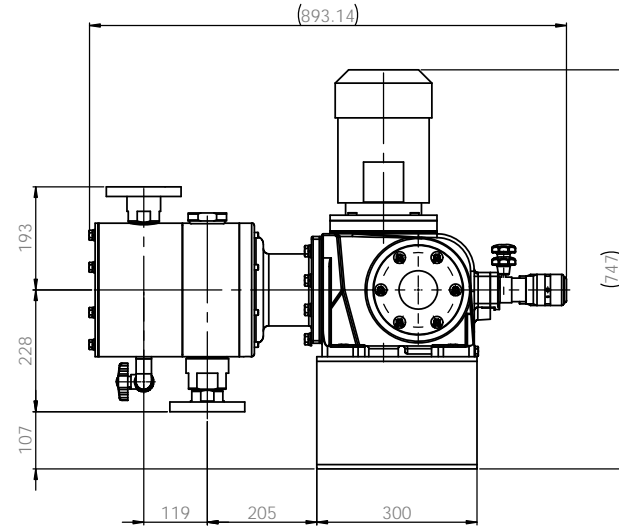
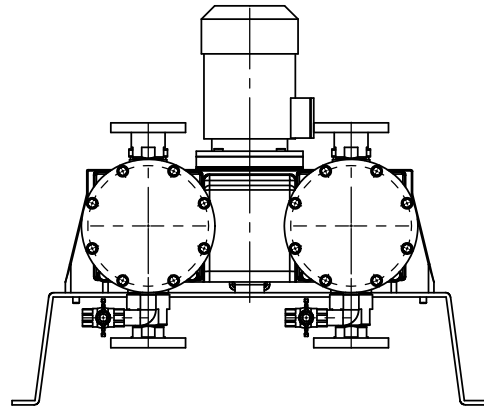
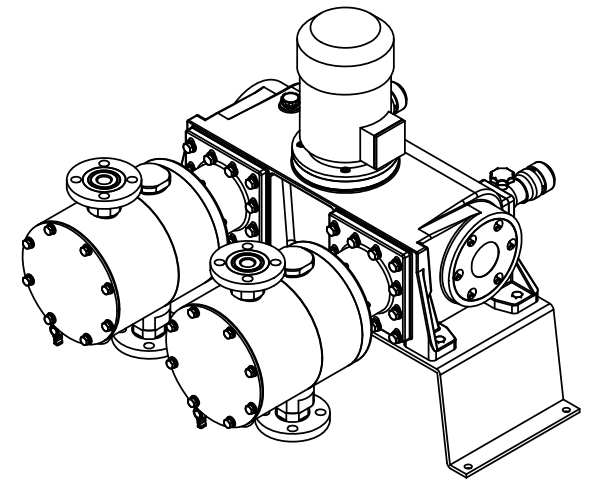
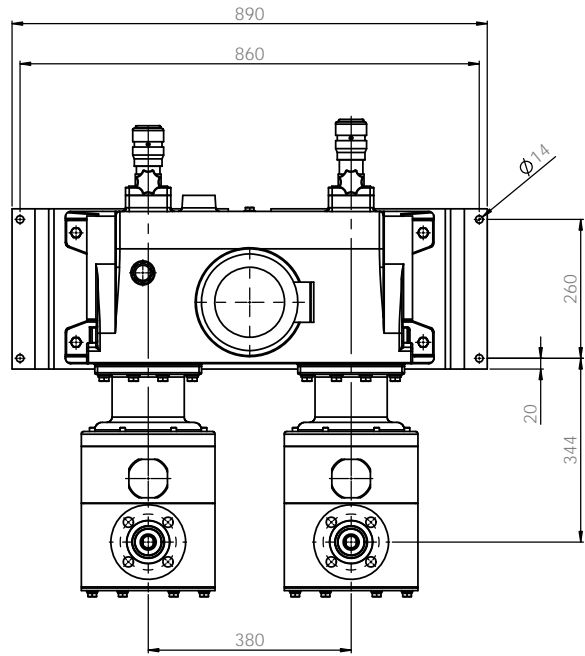


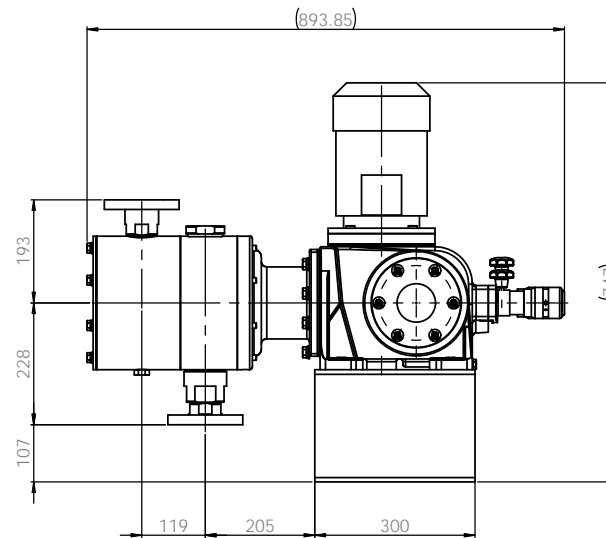
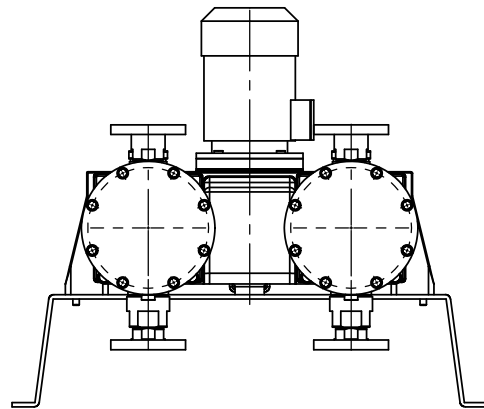
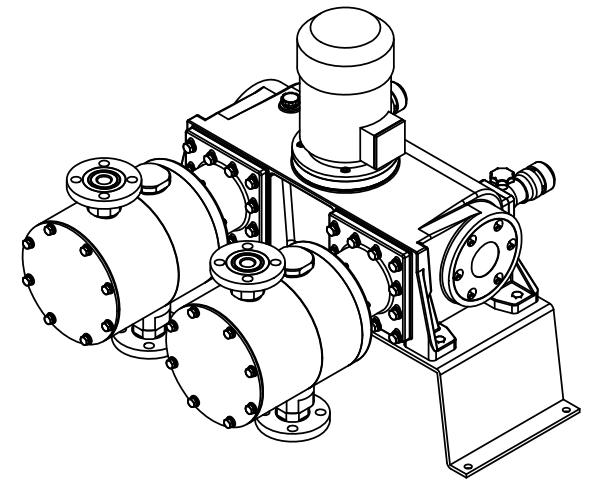
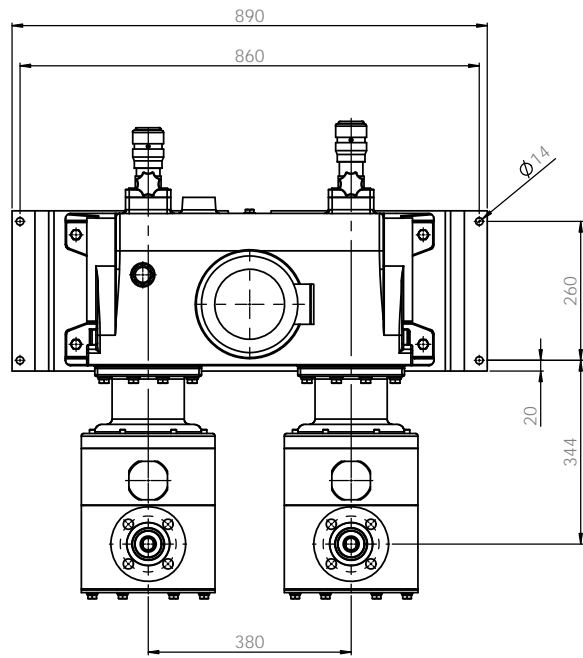
- Note**
1. Model : JULD40L
 2. Material : PP / PVdF
 3. Connection : Flange
 4. Drain valve : Not installed

PUMP ASSEMBLY-DIM		E-WHA CHEMICAL FEEDER CO., LTD.	
JULD40LPCF-KS 10K 40A FF		AK1300E1007A	
PVC		A1	



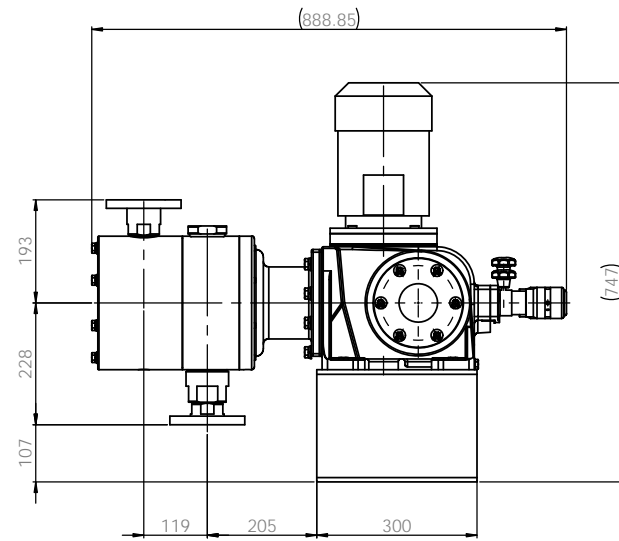
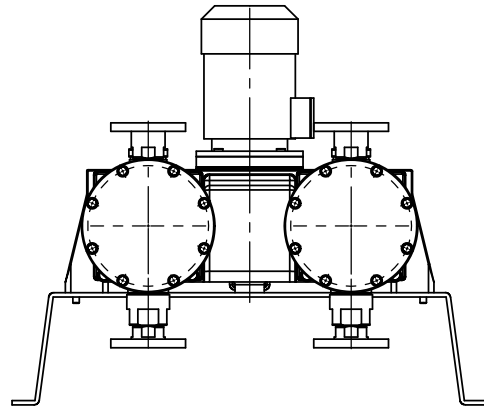
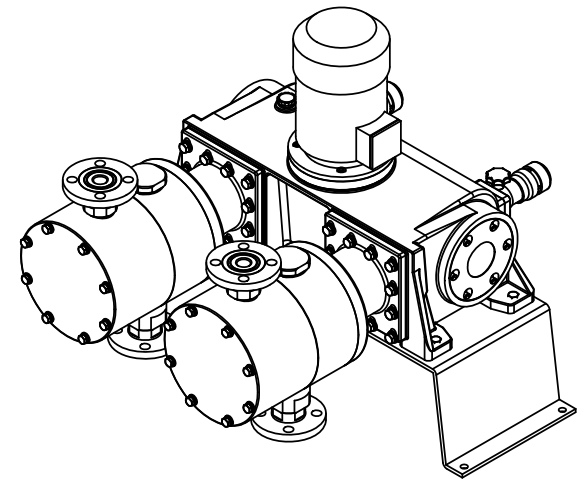
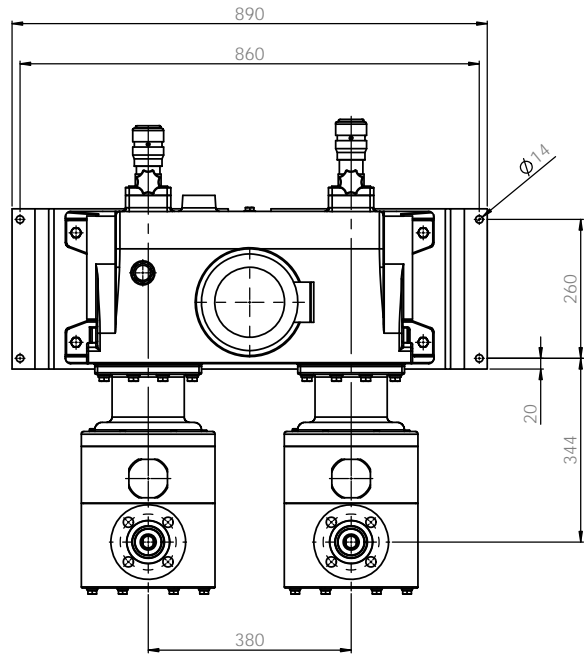
Note
 1. Model : JULD40L
 2. Material : PP
 3. Connection : Flange
 4. Drain valve : Installed

PUMP ASSEMBLY-DIM		E-WHA CHEMICAL FEEDER CO., LTD.	
JULD40LPCFD-KS 10K 40A FF		AK1300E1008A	
PVC		A1	



Note
 1. Model : JULD40L
 2. Material : PTFE
 3. Connection : Flange
 4. Drain valve : N / A

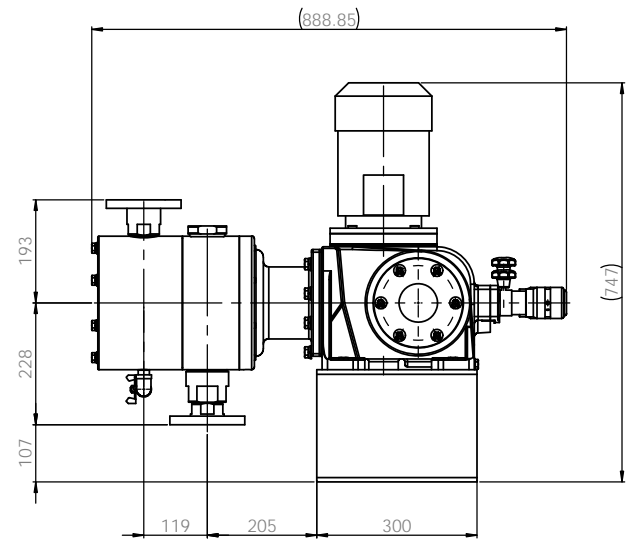
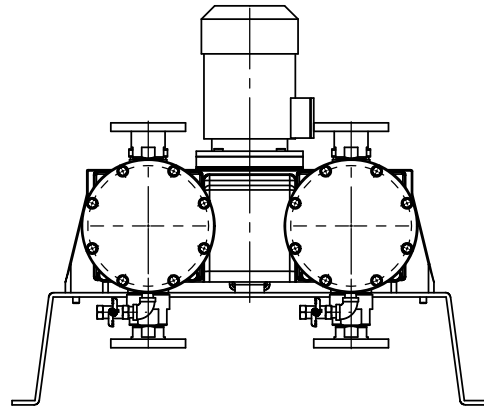
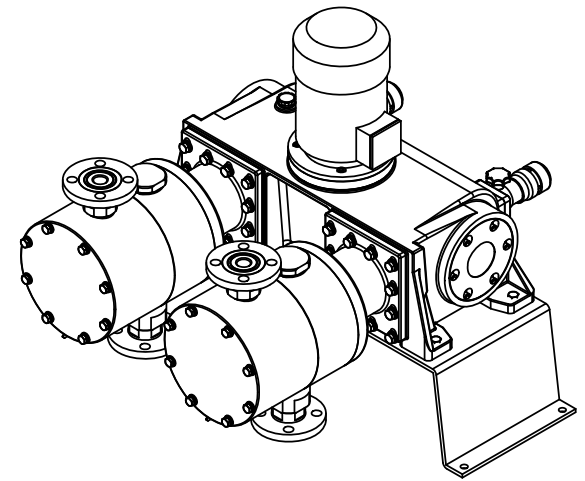
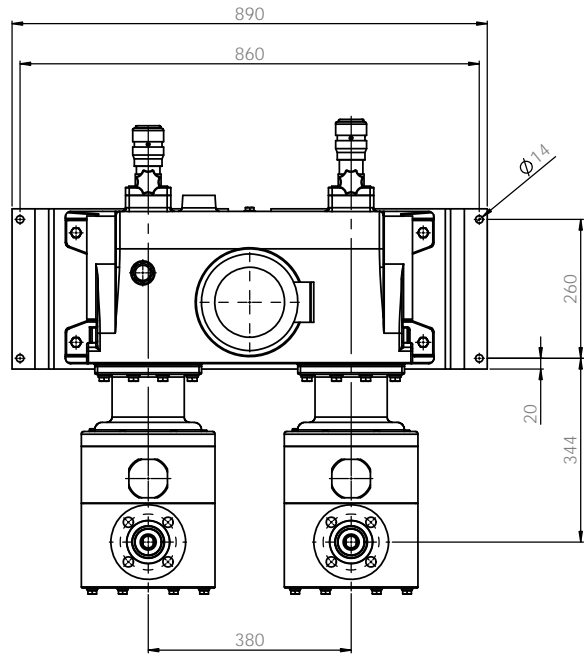
PUMP ASSEMBLY-DIM		E-WHA CHEMICAL FEEDER CO., LTD.	
JULD40LTCF-KS 10K 40A FF		AK1304E1007A	
PTFE		A1	



Note

1. Model : JULD40L
2. Material : Stainless steel
3. Connection : Flange
4. Drain valve : Not installed

ALL DIMENSIONS SPECIFIED UNLESS OTHERWISE SPECIFIED DIMENSIONS ARE IN MILLIMETERS UNLESS INDICATED UNLESS OTHERWISE INDICATED		FINISH BRASS BRASS BRASS	DO NOT SCALE DRAWING REVISION
DRAWN W. PARK 2020.02.21	CHECKED W. PARK 2020.02.21	DATE 2020.02.21	E-WHA CHEMICAL FEEDER CO., LTD.
REVISED S.C. KIM 2020.02.21	MATERIAL SUS304	DRAWING NO. AK1301E1007A	PUMP ASSEMBLY-DIM JULD40LS4S4F-KS 10K 40A FF
D.L.A.	SCALE 1:1	SHEET 1 OF 1	A1



Note

1. Model : JULD40L
2. Material : Stainless steel
3. Connection : Flange
4. Drain valve : Installed

ALL DIMENSIONS SPECIFIED UNLESS OTHERWISE SPECIFIED DIMENSIONS ARE IN MILLIMETERS		FINISH		EDGE AND BREAK SHARP ENDS		DO NOT SCALE DRAWING		REVISION	
TOLERANCES UNLESS OTHERWISE SPECIFIED		DRAWN		CHECKED		DATE		E-WHA CHEMICAL FEEDER CO., LTD.	
FRACTIONAL		DATE		DATE		DATE		REV.	
DECIMAL		DATE		DATE		DATE		REV.	
ANGULAR		DATE		DATE		DATE		REV.	
DRAWN		DATE		DATE		DATE		REV.	
W. PARK		2020.02.21		2020.02.21		2020.02.21		PUMP ASSEMBLY-DIM	
CHECKED		DATE		DATE		DATE		JULD40LS4S4FD-KS 10K 40A FF	
W. PARK		2020.02.21		2020.02.21		2020.02.21		MATERIAL	
APPROVED		DATE		DATE		DATE		SUS304	
S.C. KIM		2020.02.21		2020.02.21		2020.02.21		DWG. NO.	
SPEC.		DATE		DATE		DATE		AK1301E1008A	
DATE		DATE		DATE		DATE		SCALE	
DATE		DATE		DATE		DATE		A1	
DATE		DATE		DATE		DATE		SHEET 1 OF 1	