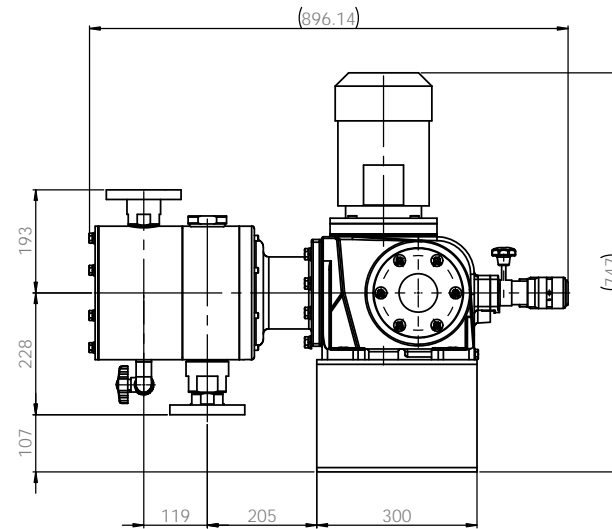
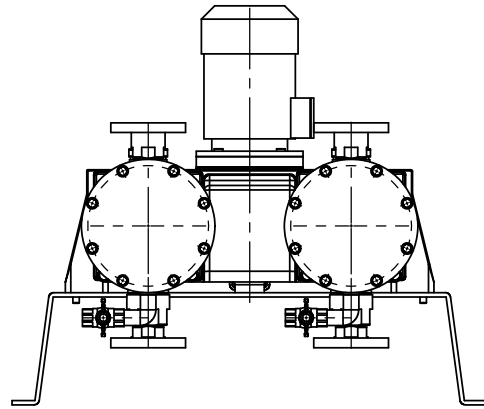
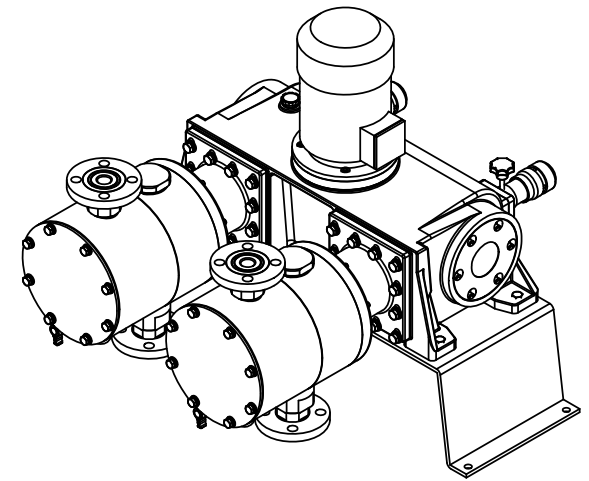
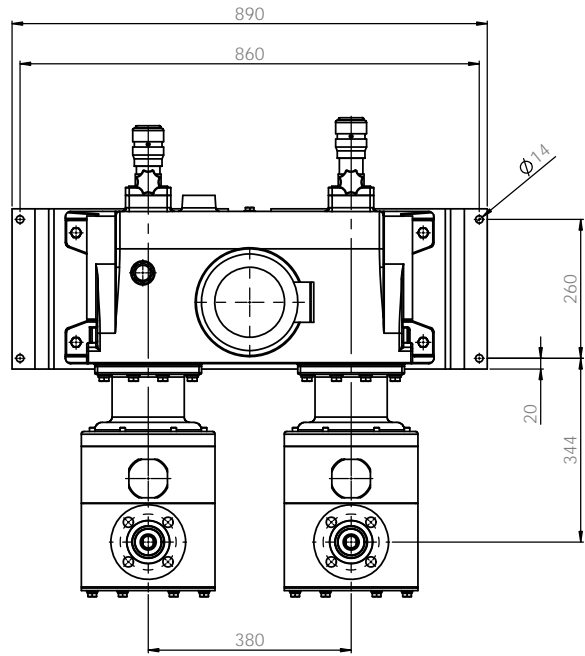


Note

1. Model : JULD60L
2. Material : PP / PVdF
3. Connection : Flange
4. Drain valve : Not installed

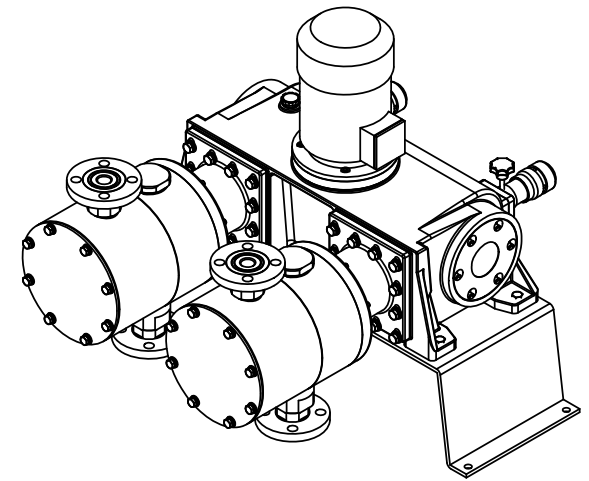
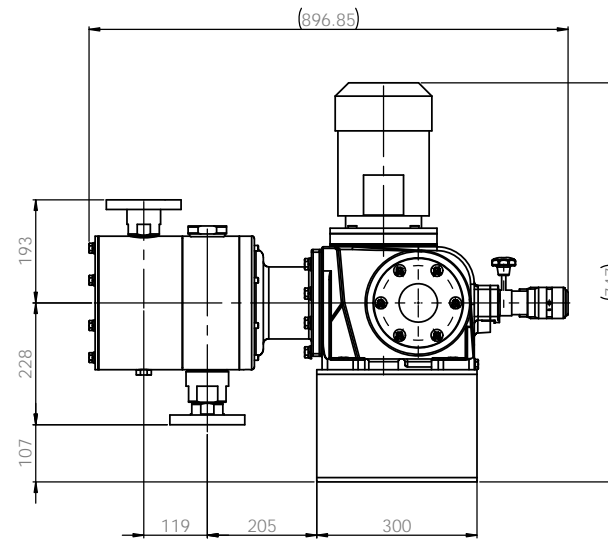
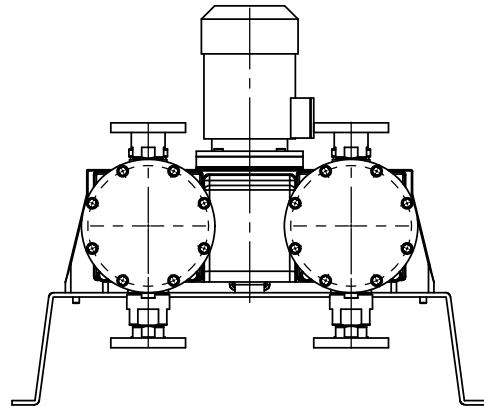
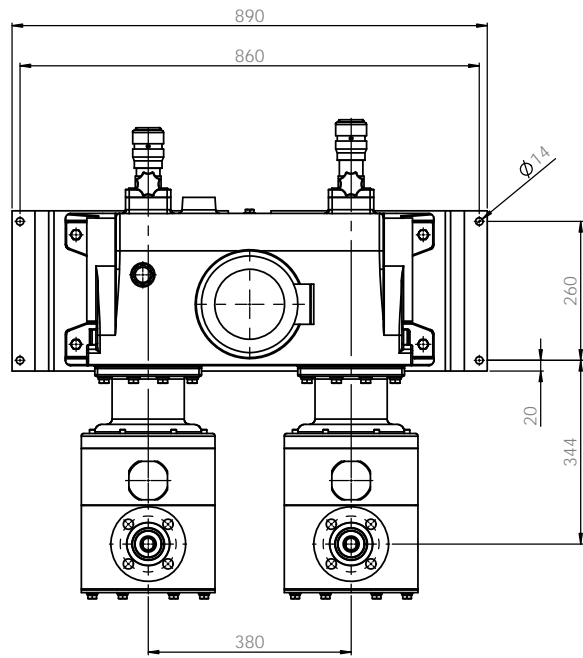
PUMP ASSEMBLY-DIM		E-WHA CHEMICAL FEEDER CO., LTD.	
JULD60LPCF-KS 10K 40A FF		AK1300E1011A	
PVC		A1	



Note

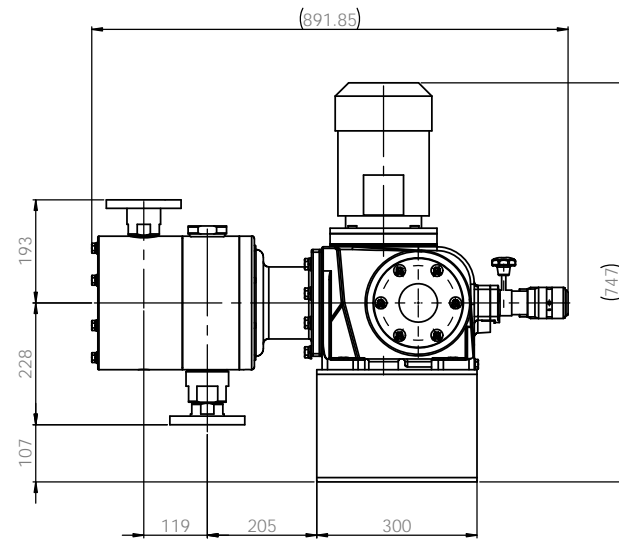
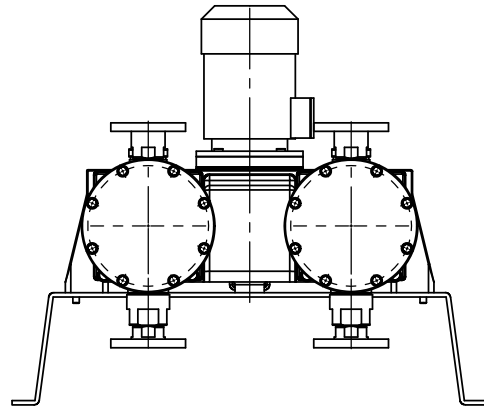
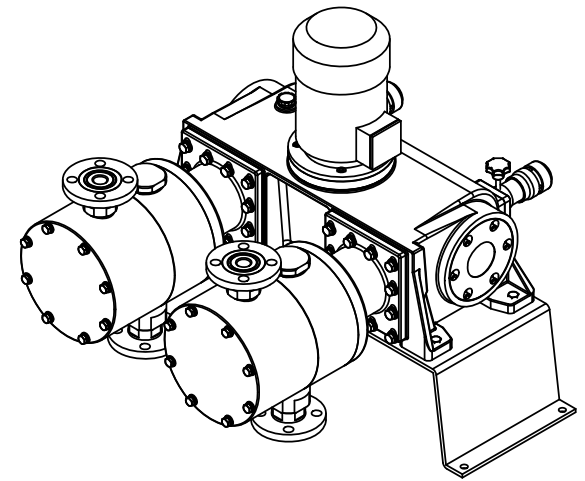
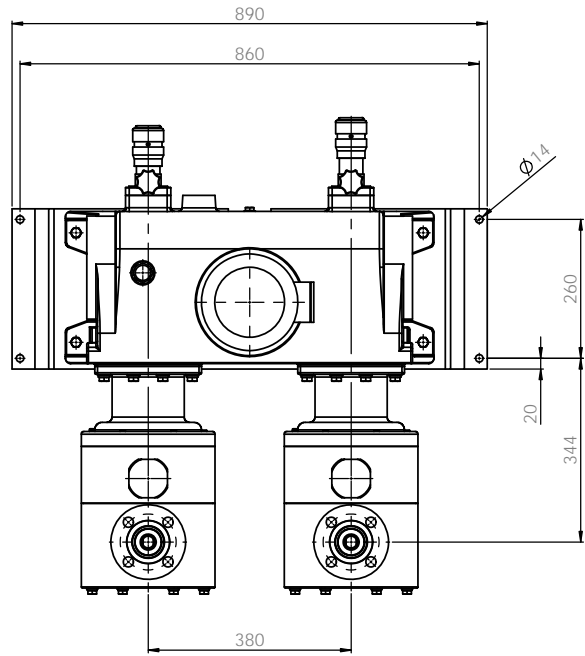
1. Model : **JULD60L**
2. Material : **PP**
3. Connection : **Flange**
4. Drain valve : **Installed**

ALL DIMENSIONS SPECIFIED UNLESS OTHERWISE SPECIFIED DIMENSIONS ARE IN MILLIMETERS		FINISH		TOLERANCE AND BREAK SHARP EDGES		DO NOT SCALE DRAWING		REVISION	
DIMENSIONS		TOLERANCE		FINISH		SCALE		DATE	
LINEAR		ANGULAR		HOLE		TEXT		DRAWN	
DATE	BY	DATE	BY	DATE	BY	DATE	BY	DATE	BY
2020.02.21	W. PARK	2020.02.21	W. PARK	2020.02.21	S.C. KIM	2020.02.21		2020.02.21	
MATERIAL		SPECIFICATION		DRAWING NO.		SCALE		SHEET	
PVC		AK1300E1012A		A1		E-WHA CHEMICAL FEEDER CO., LTD.		PUMP ASSEMBLY-DIM	
JULD60LPCFD-KS 10K 40A FF									



Note
 1. Model : JULD60L
 2. Material : PTFE
 3. Connection : Flange
 4. Drain valve : N / A

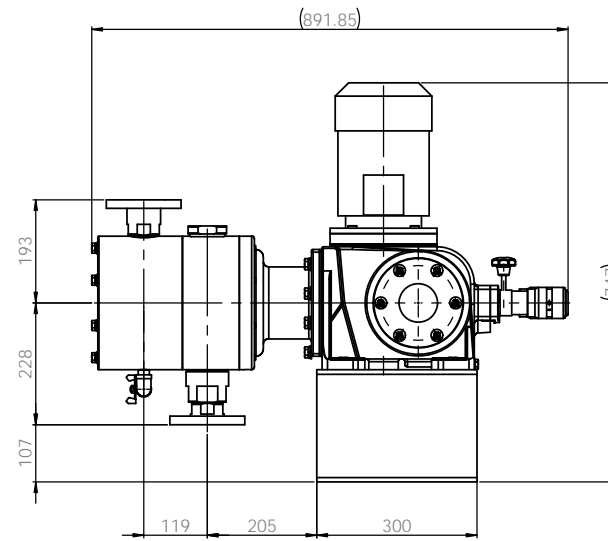
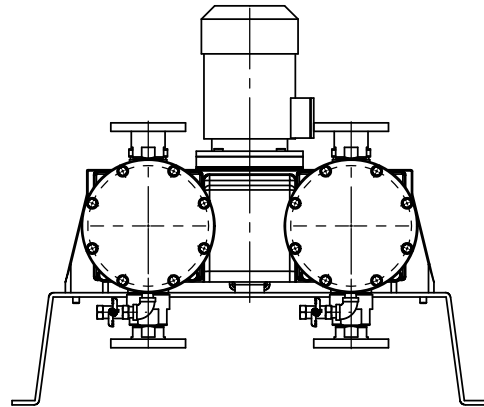
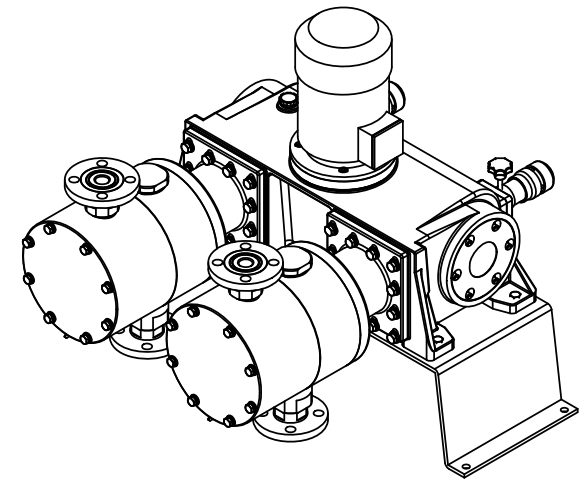
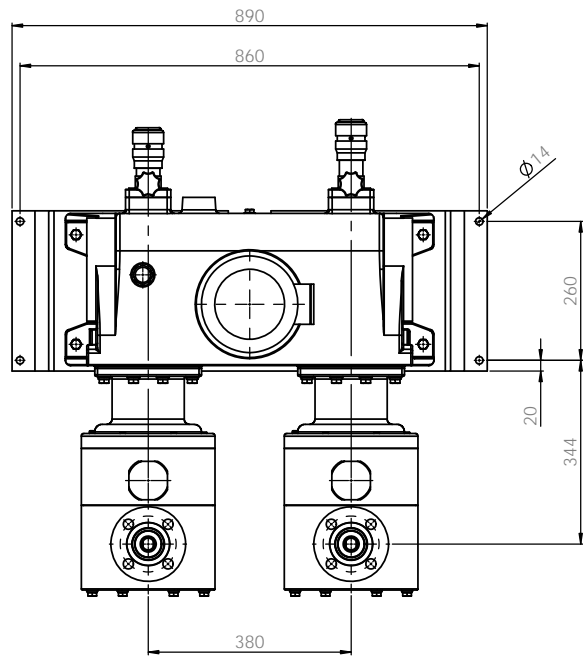
ALL DIMENSIONS SPECIFIED UNLESS OTHERWISE SPECIFIED DIMENSIONS ARE IN MILLIMETERS UNLESS INDICATED TOLERANCES ANGULAR		FINISH BRASS AND BRASS SHARP EDGE	DO NOT SCALE DRAWING REVISION
DRAWN W. PARK DATE 2020.02.21	CHECKED W. PARK DATE 2020.02.21	DESIGNED S.C. KIM DATE 2020.02.21	E-WHA CHEMICAL FEEDER CO., LTD. PUMP ASSEMBLY-DIM JULD60LTCF-KS 10K 40A FF ENG. NO. AK1304E1011A SCALE 1:1 SHEET 1 OF 1
Dwg. No.		MATERIAL PTFE	A1



Note

1. Model : JULD60L
2. Material : Stainless steel
3. Connection : Flange
4. Drain valve : Not installed

ALL DIMENSIONS SPECIFIED UNLESS OTHERWISE SPECIFIED DIMENSIONS ARE IN MILLIMETERS UNLESS INDICATED OTHERWISE		FINISH		SCALE AND BREAK SHARP EDGES		DO NOT SCALE DRAWING		REVISION	
DATE	BY	DATE	BY	DATE	BY	DATE	BY	DATE	BY
2020.02.21	W. PAK	2020.02.21	W. PAK	2020.02.21	S.C. KHA				
2020.02.21	S.C. KHA								
MATERIAL		SUS304		DWG. NO.		AK1301E1011A		A1	
DRAWN		W. PAK		SCALE		1:1		SHEET 1 OF 1	
CHECKED		W. PAK		DATE		2020.02.21		E-WHA CHEMICAL FEEDER CO., LTD.	
APPROVED		S.C. KHA		DATE		2020.02.21		PUMP ASSEMBLY-DIM	
DESIGNED		S.C. KHA		DATE		2020.02.21		JULD60LS4S4F-KS 10K 40A FF	



Note

1. Model : JULD60L
2. Material : Stainless steel
3. Connection : Flange
4. Drain valve : Installed

ALL DIMENSIONS SPECIFIED UNLESS OTHERWISE SPECIFIED DIMENSIONS ARE IN MILLIMETERS DIMENSIONS UNLESS SPECIFIED ARE ANGULAR		FINISH BRASS AND BRASS SHARP ENDS	DO NOT SCALE DRAWING REVISION
DRAWN : W. PARK CHECK : W. PARK APPROV : S.C. KIM DATE : 2020.02.21 2020.02.21 2020.02.21	MODEL : JCSM0108 DATE :	MATERIAL : SUS304	E-WHA CHEMICAL FEEDER CO., LTD. PUMP ASSEMBLY-DIM JULD60LS4S4FD-KS 10K 40A FF DRAWING NO. : AK1301E1012A SHEET 1 OF 1