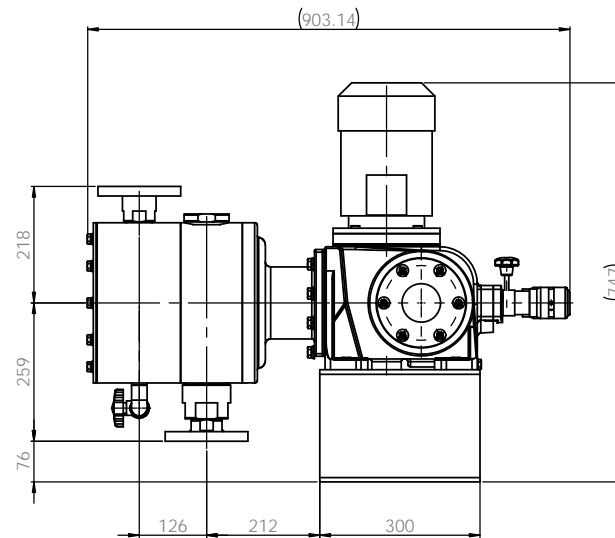
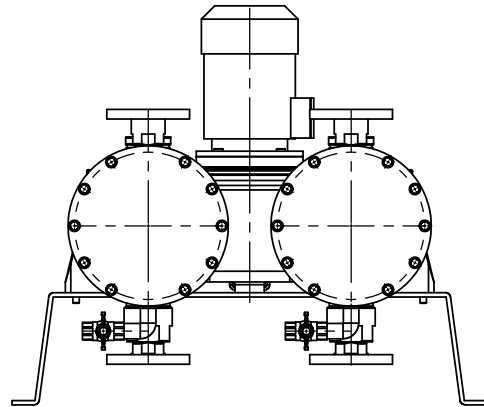
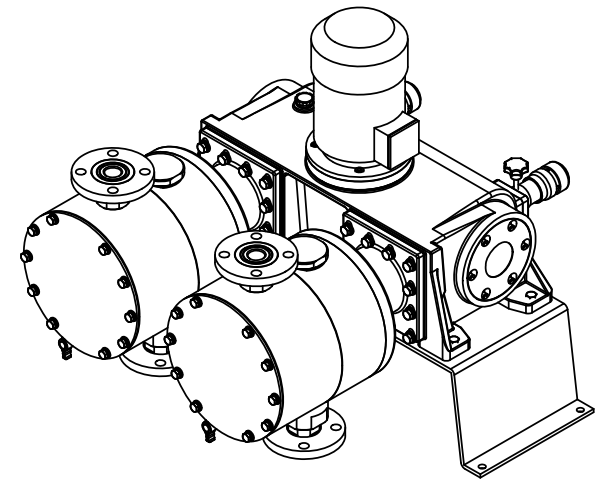
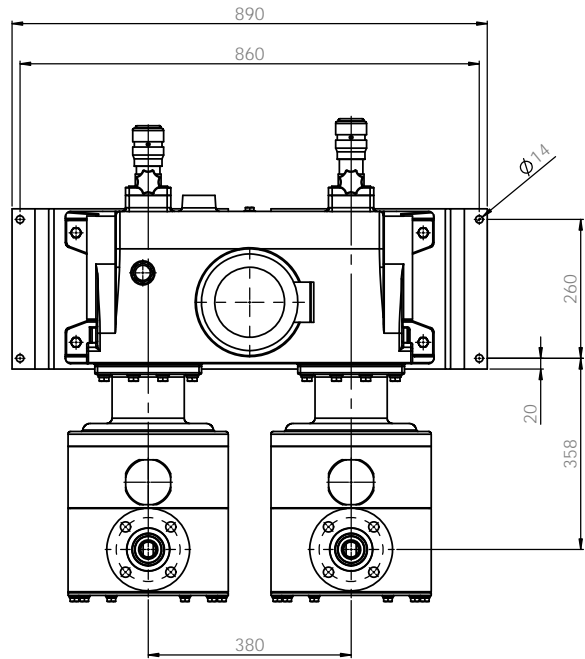


- Note**
1. Model : JULD80L
 2. Material : PP / PVdF
 3. Connection : Flange
 4. Drain valve : Not installed

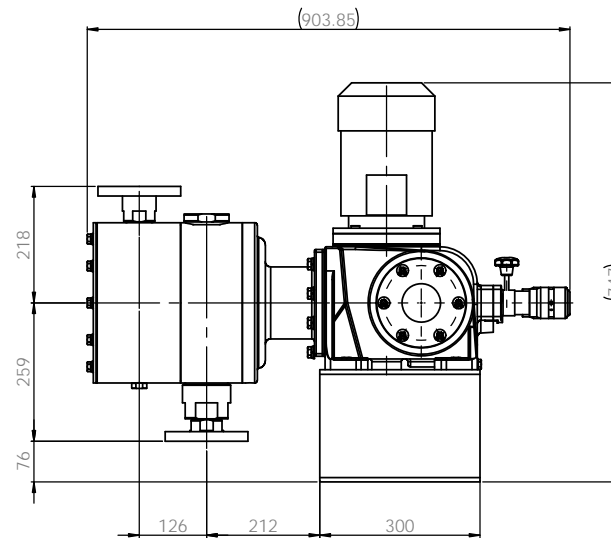
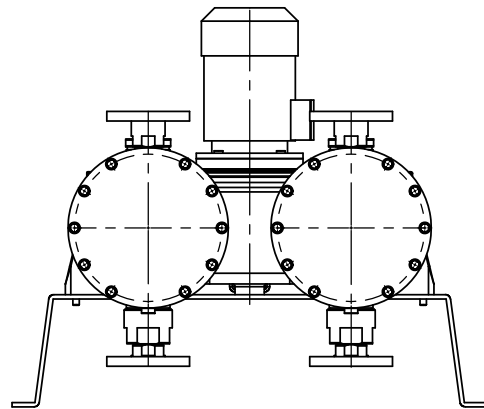
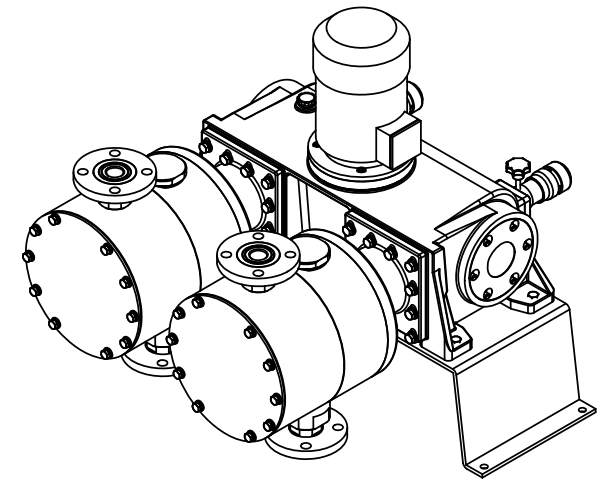
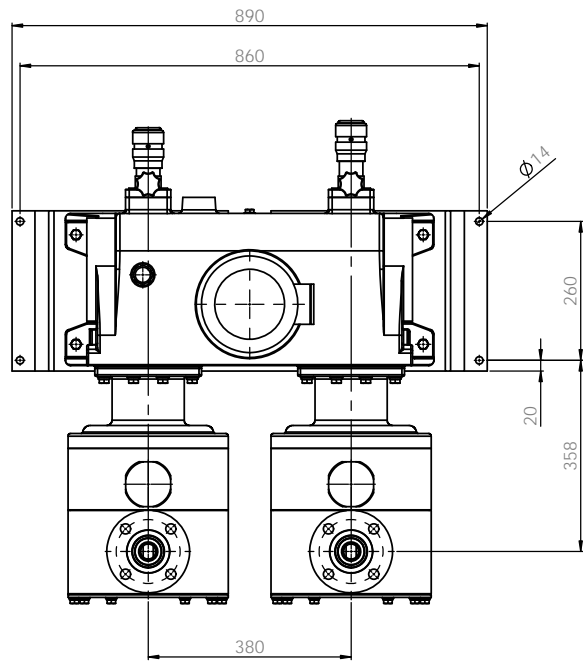
ALL DIMENSIONS SPECIFIED UNLESS OTHERWISE SPECIFIED DIMENSIONS ARE IN MILLIMETERS		FINISH		EDGE AND BREAK SHARP ENDS		DO NOT SCALE DRAWING		REVISION	
TOLERANCE: HORIZONTAL ANGULAR								E-WHA CHEMICAL FEEDER CO., LTD.	
DATE	DATE	DATE	DATE	DATE	DATE	DATE	DATE	DATE	DATE
DRWBY: W. PARK	DESIGNER: W. PARK	DATE: 2020.02.21							
CHKD: W. PARK	DATE: 2020.02.21								
APVD: S.C. KIM	DATE: 2020.02.22								
BY:									
DATE:									
		MATERIAL: PVC		DWG. NO. AK1300E1015B		SCALE: 1:1		SHEET 1 OF 1	



Note

1. Model : **JULD80L**
2. Material : **PP**
3. Connection : **Flange**
4. Drain valve : **Installed**

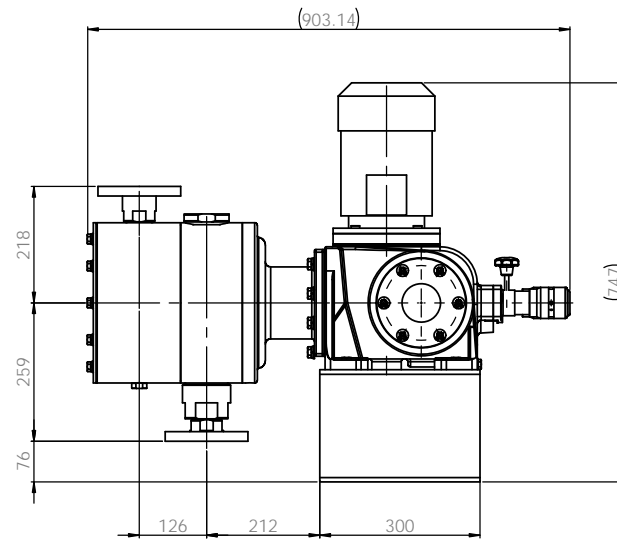
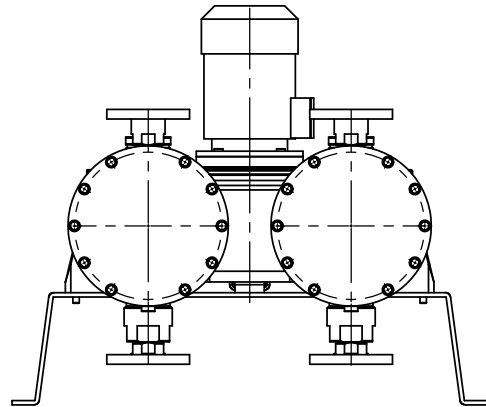
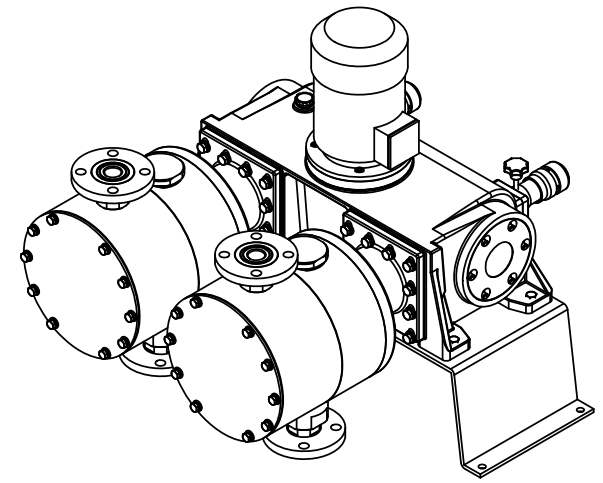
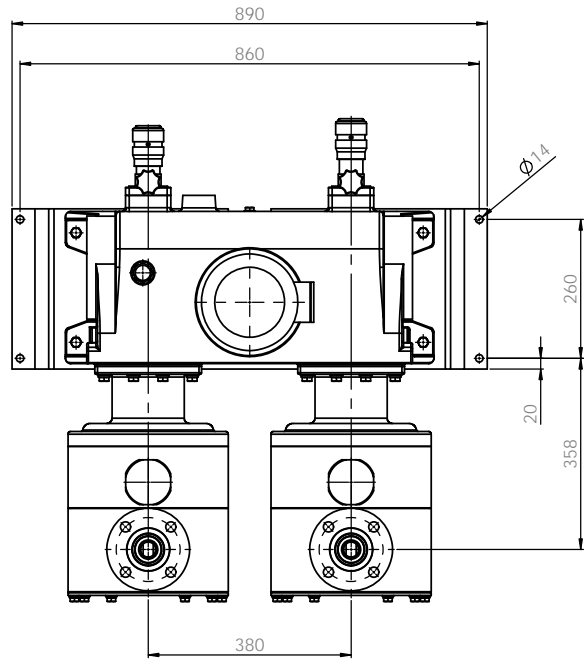
ALL DIMENSIONS SPECIFIED UNLESS OTHERWISE SPECIFIED DIMENSIONS ARE IN MILLIMETERS TOLERANCES: FINISH: ANGULAR:		FINISH: BRASS AND BRASS SHARP EDGE:	DO NOT SCALE DRAWING REVISION:
DRAWN: W. PARK CHECK: W. PARK APPROV: S.C. KIM DATE: 2020.02.21 DATE: 2020.02.21 DATE: 2020.02.22	DESIGNED: W. PARK DATE: 2020.02.21	MATERIAL: PVC	E-WHA CHEMICAL FEEDER CO., LTD. PUMP ASSEMBLY-DIM JULD80LPCFD-KS 10K 50A FF DRAWING NO. AK1300E1016B SCALE: 1:1 SHEET 1 OF 1



Note

1. Model : JULD80L
2. Material : PTFE
3. Connection : Flange
4. Drain valve : N / A

ALL DIMENSIONS SPECIFIED UNLESS OTHERWISE SPECIFIED DIMENSIONS ARE IN MILLIMETERS		FINISH		EDGE AND BREAK SHARP ENDS		DO NOT SCALE DRAWING		REVISION	
TOLERANCE		HOLE		HOLE		DATE		DATE	
HOLE		HOLE		HOLE		HOLE		HOLE	
DRAWN		DATE		DATE		DATE		DATE	
CHECK		DATE		DATE		DATE		DATE	
APPROV		DATE		DATE		DATE		DATE	
MATERIAL		MATERIAL		MATERIAL		MATERIAL		MATERIAL	
PTFE		PTFE		PTFE		PTFE		PTFE	
AK1304E1015B		AK1304E1015B		AK1304E1015B		AK1304E1015B		AK1304E1015B	
SCALE 1:1		SCALE 1:1		SCALE 1:1		SCALE 1:1		SCALE 1:1	
SHEET 1 OF 1		SHEET 1 OF 1		SHEET 1 OF 1		SHEET 1 OF 1		SHEET 1 OF 1	

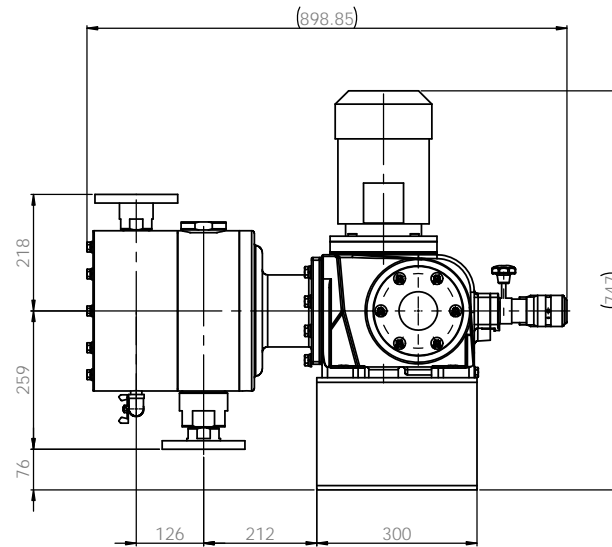
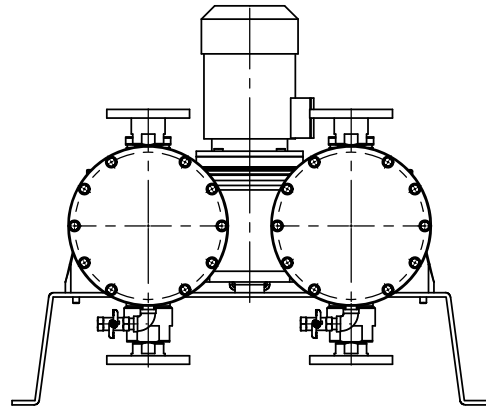
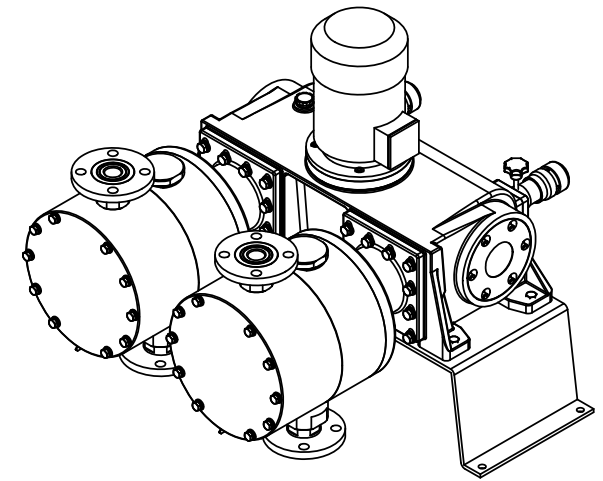
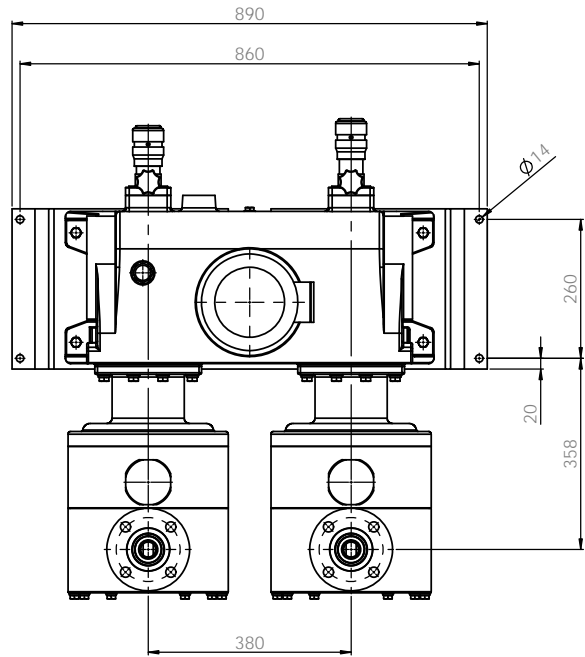


Note
 1. Model : JULD80L
 2. Material : Stainless steel
 3. Connection : Flange
 4. Drain valve : Not installed

ALL DIMENSIONS SPECIFIED UNLESS OTHERWISE SPECIFIED DIMENSIONS ARE IN MILLIMETERS UNLESS INDICATED OTHERWISE		FINISH		SCALE AND BREAK SHARP EDGES		DO NOT SCALE DRAWING		REVISION	
DATE	BY	DATE	BY	DATE	BY	DATE	BY	DATE	BY
2020.02.21	W. PARK	2020.02.21	W. PARK	2020.02.21	S.C. KIM				
2020.02.21	W. PARK	2020.02.21	W. PARK	2020.02.21	S.C. KIM				
2020.02.21	S.C. KIM	2020.02.21	S.C. KIM	2020.02.21	S.C. KIM				
D.P.A.		MATERIAL		SPEC. NO.		SCALE 1:5		SHEET 1 OF 1	
		PVC		AK1300E1015B				A1	

E-WHA CHEMICAL FEEDER CO., LTD.

PUMP ASSEMBLY-DIM
 JULD80LPCF-KS 10K 50A FF



Note
 1. Model : JULD80L
 2. Material : Stainless steel
 3. Connection : Flange
 4. Drain valve : Installed

ALL DIMENSIONS SPECIFIED UNLESS OTHERWISE SPECIFIED DIMENSIONS ARE IN MILLIMETERS		UNITS		SCALE AND BREAK SHARP EDGES		DO NOT SCALE DRAWING		REVISION	
TOLERANCE		ANGULAR						E-WHA CHEMICAL FEEDER CO., LTD.	
DATE	BY	DATE	BY					REV	
2020.02.21	W. PARK	2020.02.21	W. PARK					PUMP ASSEMBLY-DIM	
2020.02.21	S.C. KIM	2020.02.21	S.C. KIM					JULD80LS4S4FD-KS 10K 50A FF	
MATERIAL		SUS304		DRAWING NO.		AK1301E1016B		A1	
SCALE		1:1		SHEET		1 OF 1			