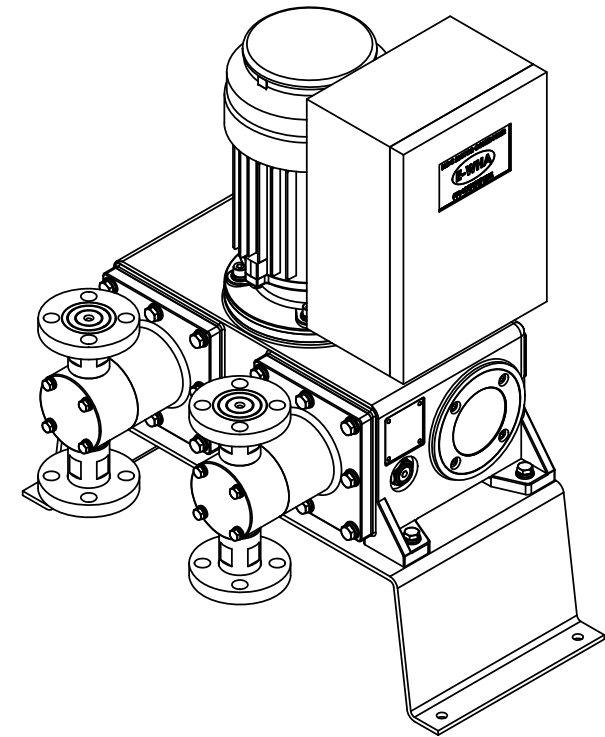
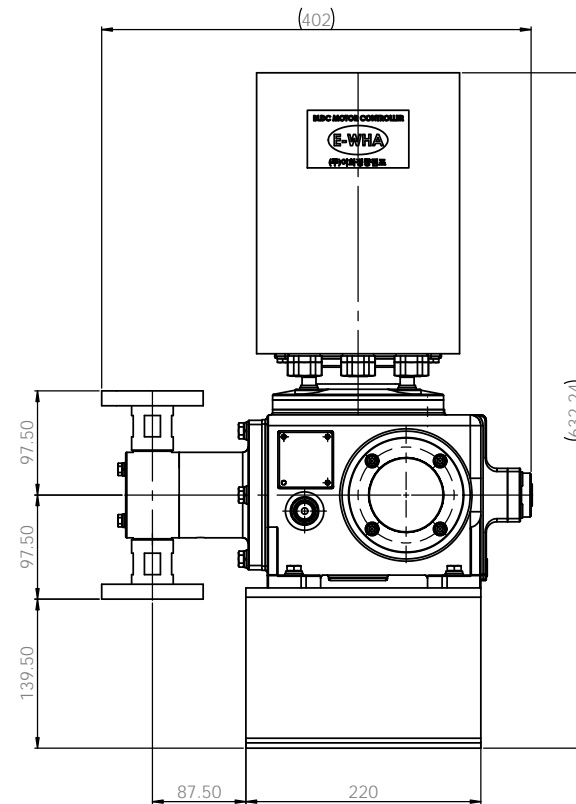
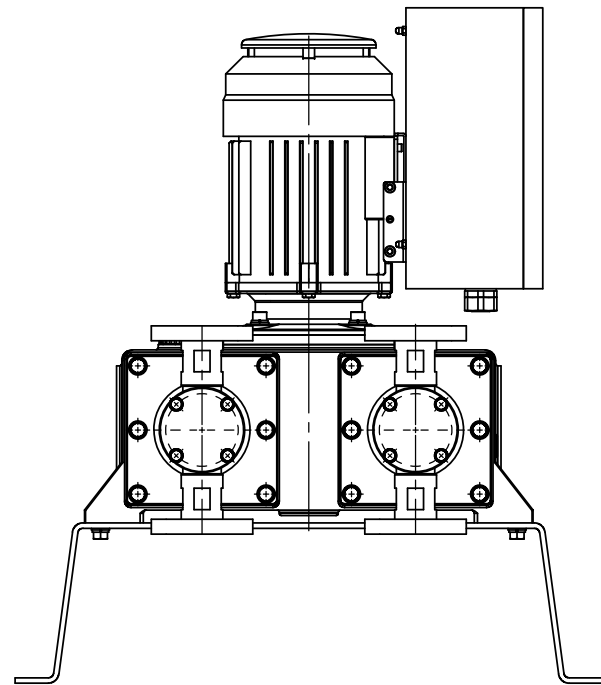
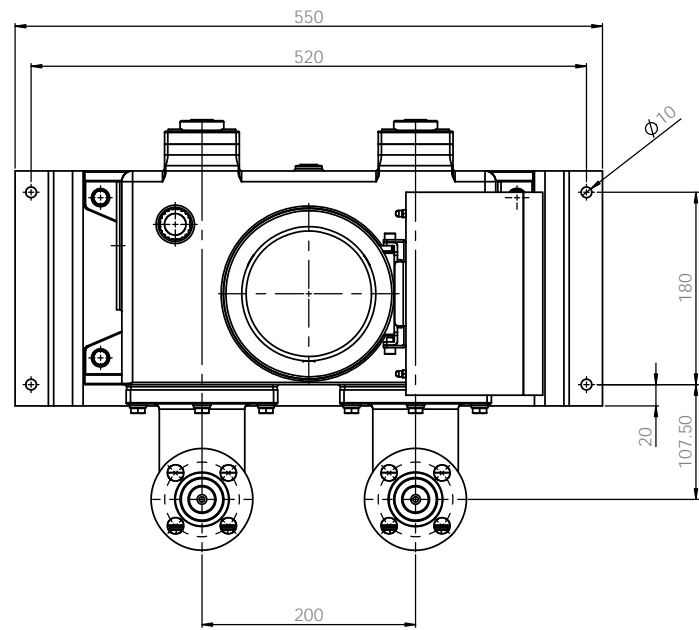


Note
 1. Model : *GVMD100*
 2. Material : *PP / PVdF*
 3. Connection : *Hose*

REVISIONS				SCALE AND BREAK SHARP EDGES		DO NOT SCALE DRAWING		REVISION	
NO.	DATE	BY	CHKD	SCALE	BREAK	NO.	DESCRIPTION	DATE	BY
1	2020.02.21					1			
2	2020.02.21					2			
3	2020.02.22					3			
4						4			
5						5			
6						6			
7						7			
8						8			
9						9			
10						10			
11						11			
12						12			
13						13			
14						14			
15						15			
16						16			

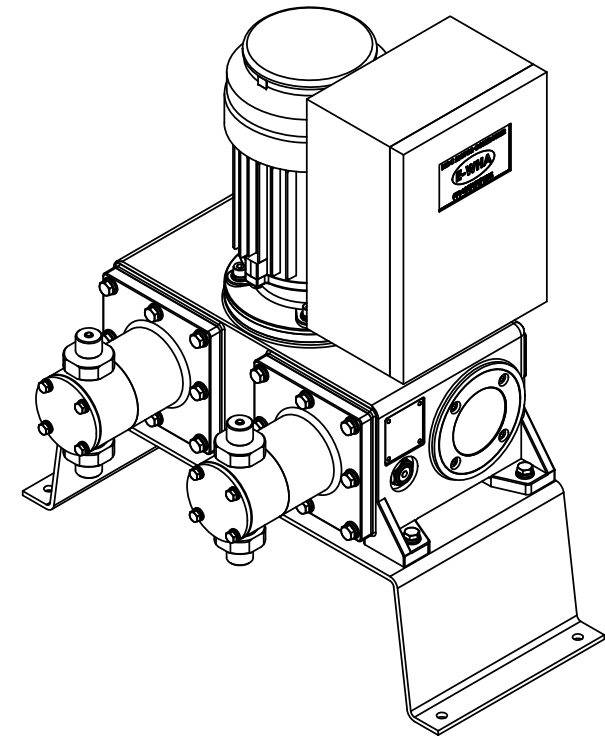
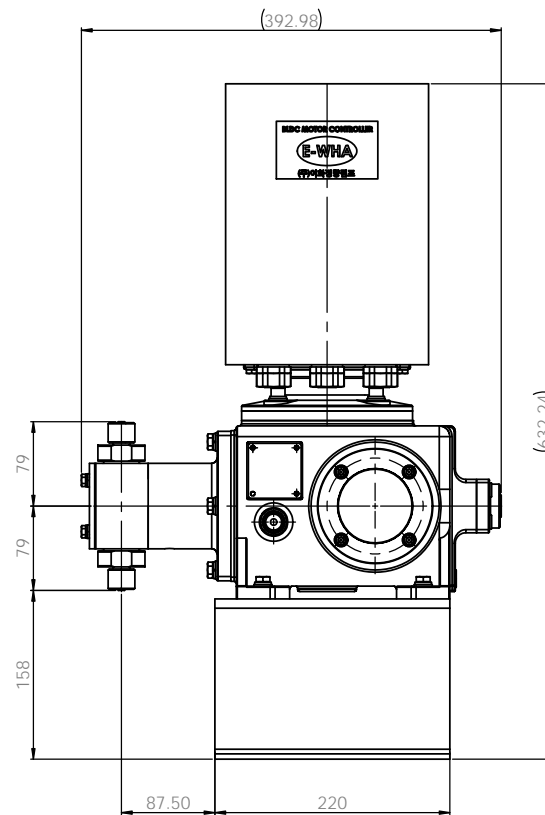
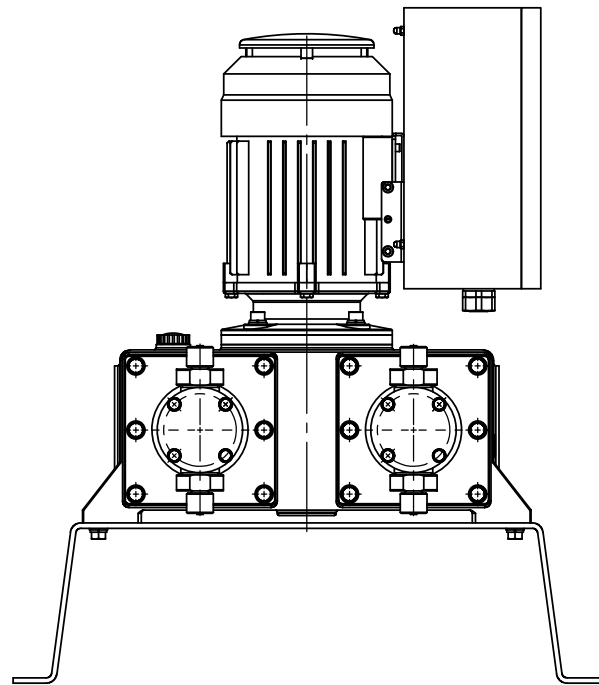
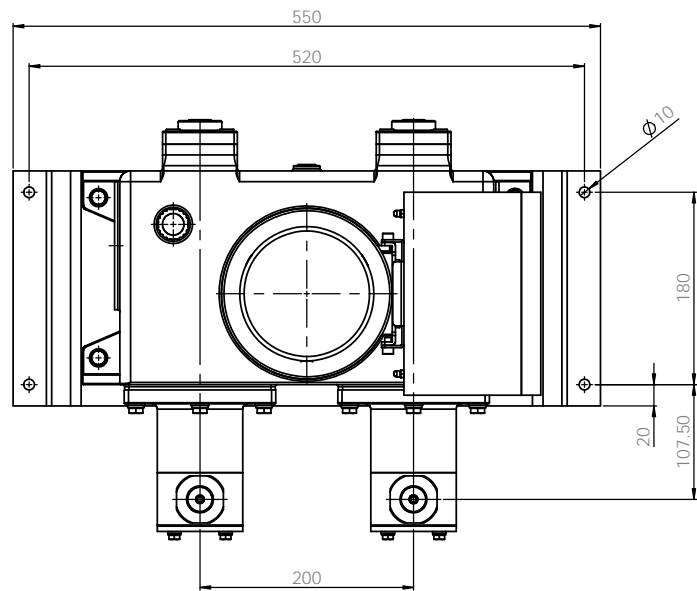
E-WHA CHEMICAL FEEDER CO., LTD.				SCALE 1:1		SHEET 1 OF 1	
PUMP ASSEMBLY-DIM GVMD100PCH-H06				MATERIAL PVC		DWG NO. AC1000B1003A	
DRAWN W. PARK				CHECKED S.C. KIM		DATE 2020.02.21	
DESIGNED S.C. KIM				APPROVED S.C. KIM		DATE 2020.02.22	
MATERIAL PVC				DWG NO. AC1000B1003A		SHEET 1 OF 1	



Note
 1. Model : GVMD100
 2. Material : PP / PVdF
 3. Connection : Flange

REVISIONS				SCALE AND BREAK SHARP EDGES		DO NOT SCALE DRAWING		REVISION	
NO.	DATE	BY	CHKD	SCALE	BREAK	REVISION	NO.	DESCRIPTION	DATE
1	2020.02.21						1	INITIAL	
2	2020.02.21						2		
3	2020.02.21						3		
4	2020.02.21						4		
5							5		
6							6		
7							7		
8							8		
9							9		
10							10		
11							11		
12							12		
13							13		
14							14		
15							15		
16							16		

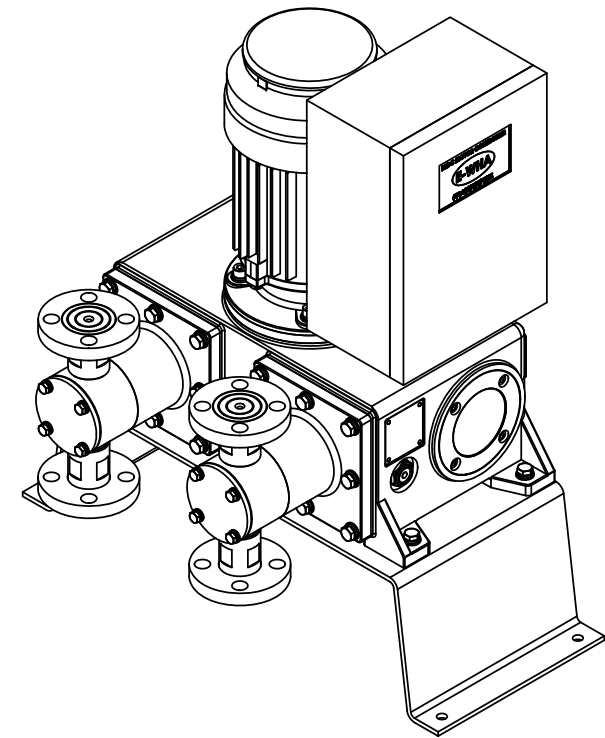
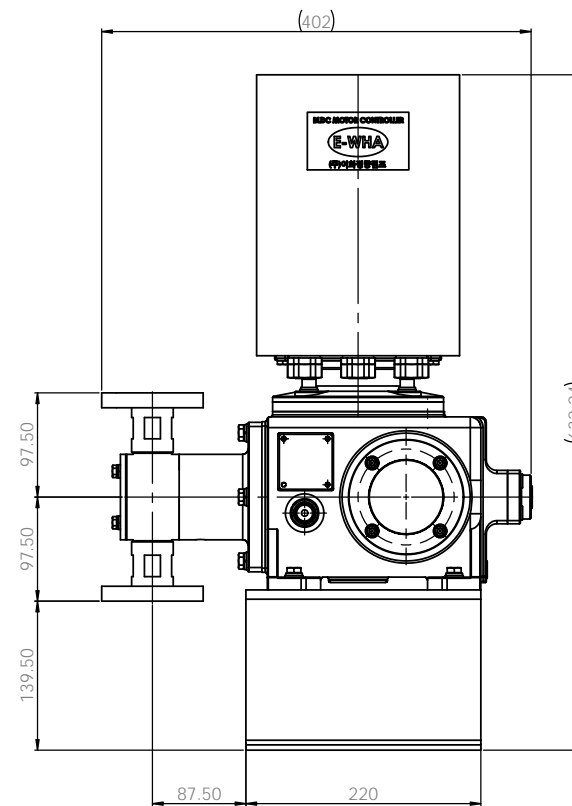
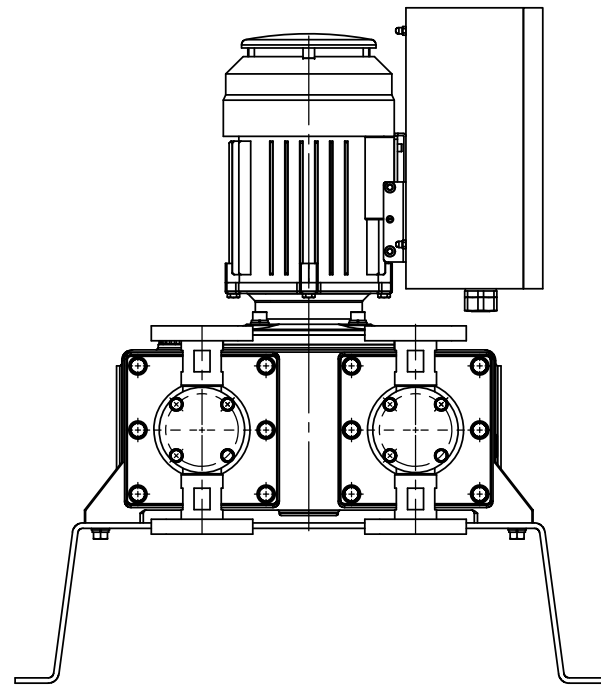
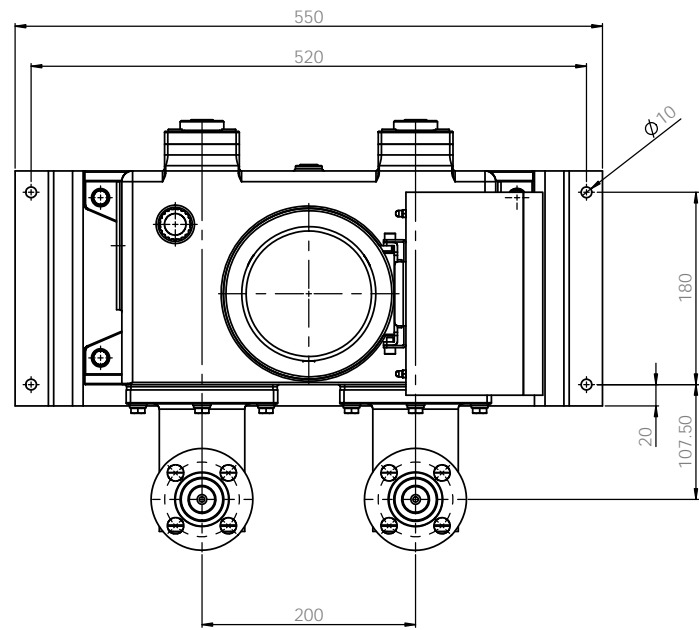
DRAWN: W. PARK		DATE: 2020.02.21		MATERIAL: PVC		E-WHA CHEMICAL FEEDER CO., LTD.	
CHECKED: W. PARK		DATE: 2020.02.21		E-WHA		PUMP ASSEMBLY-DIM	
APPROVED: S.C. KIM		DATE: 2020.02.21		AC1000B1004A		GVMD100PCF-KS 10K 15A FF	
SCALE: 1:1		SHEET: 1 OF 1		A1			



Note
 1. Model : GVMD100
 2. Material : PTFE
 3. Connection : Hose

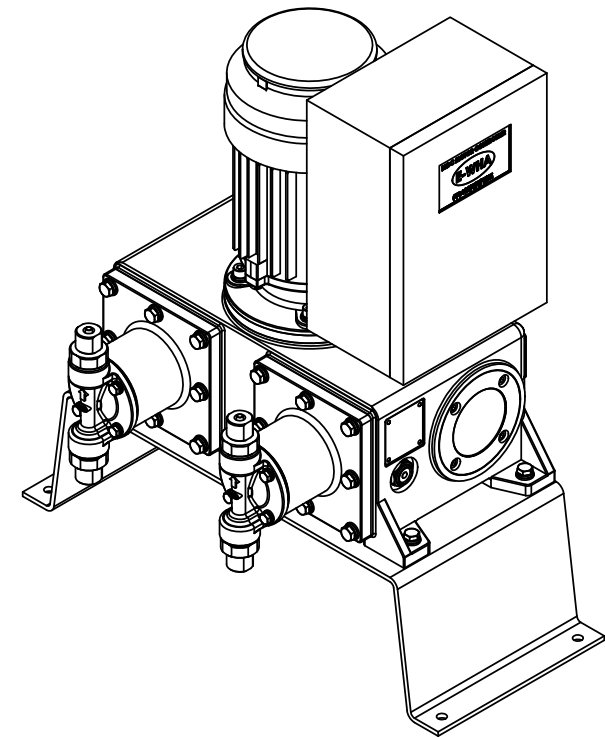
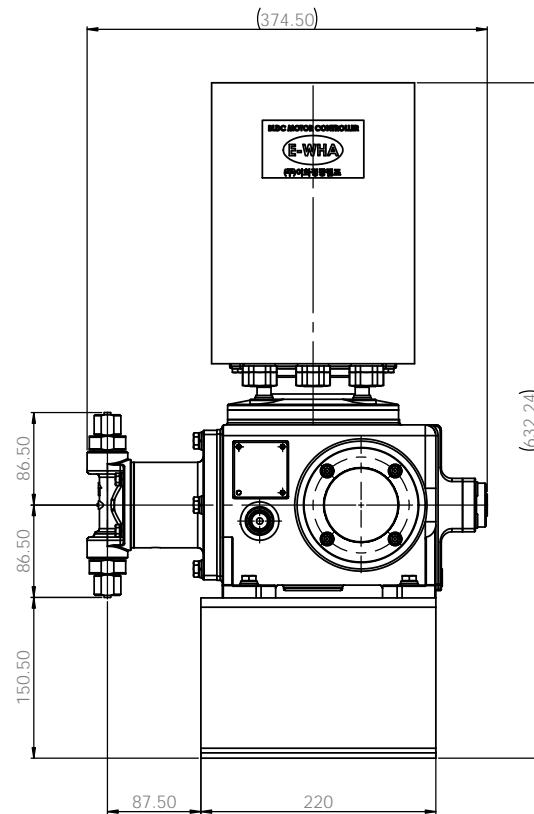
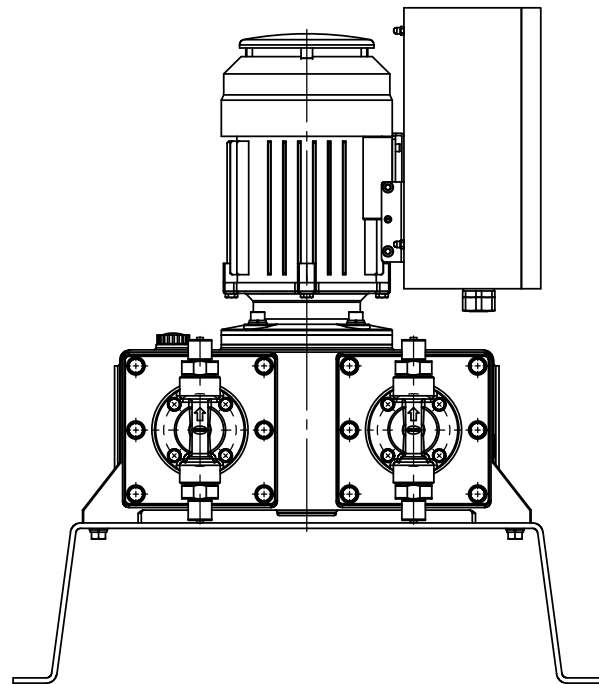
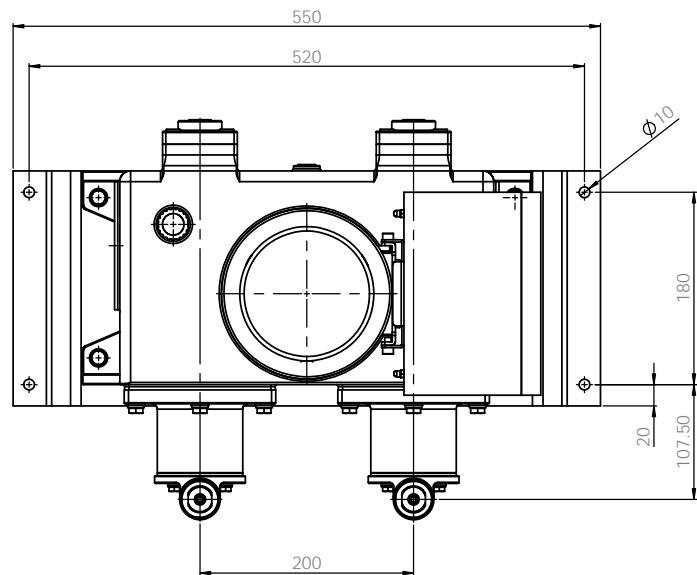
REVISIONS				SCALE AND BLOCK SHARP EDGES		DO NOT SCALE DRAWING		REVISION	
NO.	DATE	BY	CHKD.	DATE	BY	NO.	DESCRIPTION	DATE	BY
1	2024.02.21								
2	2024.02.21								
3	2024.02.21								

DRAWN: W. PARK				MATERIAL: PTFE		E-WHA		E-WHA CHEMICAL FEEDER CO., LTD.	
CHECKED: W. PARK				DIMENSIONS ARE IN MILLIMETERS		SCALE: 1:1		SHEET 1 OF 1	
APPROVED: S.C. KIM				PART NO: AC1004B1003A		TITLE: PUMP ASSEMBLY-DIM		REV: 01	
DATE: 2024.02.21				QUANTITY: 1		PROJECT: GVMD100TCH-H06		DRAWING NO: AC1004B1003A	



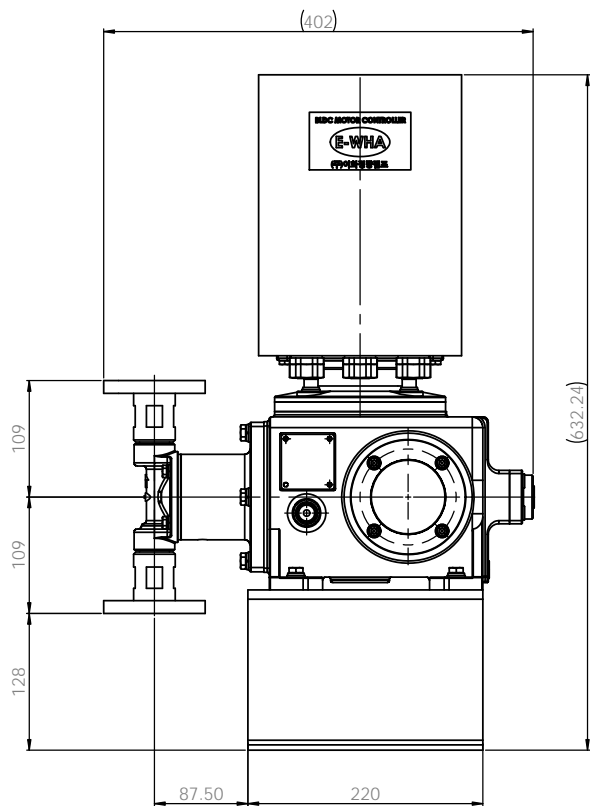
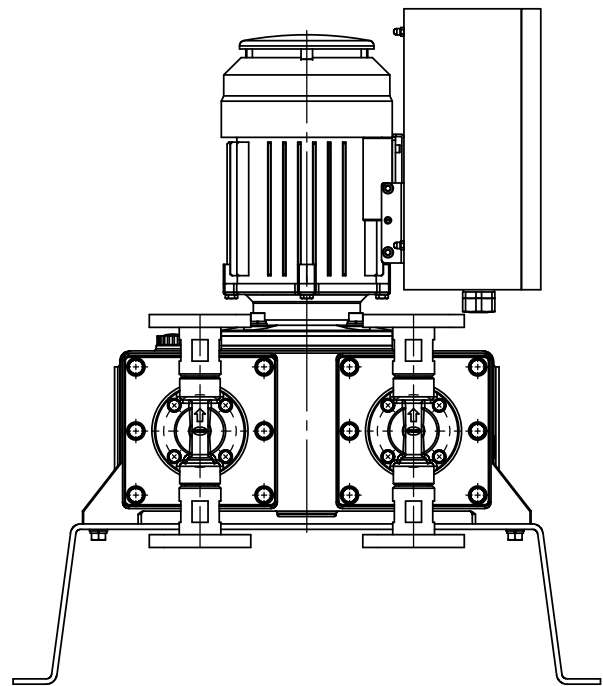
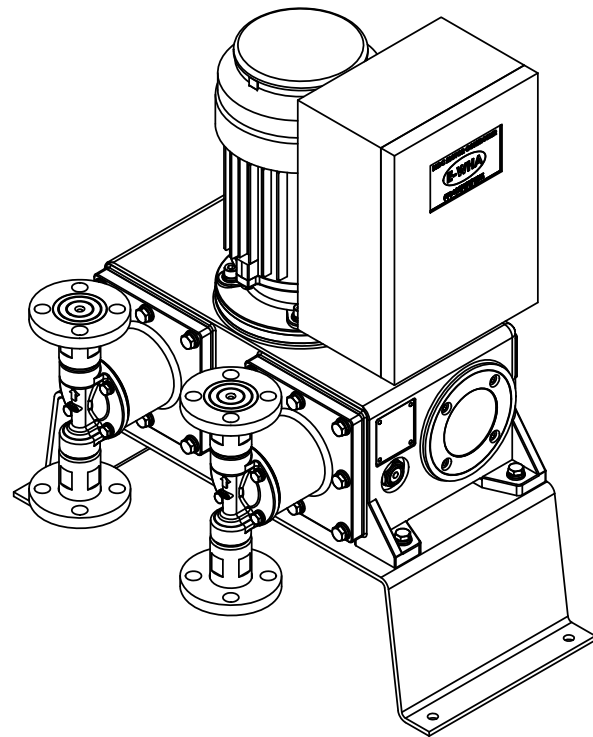
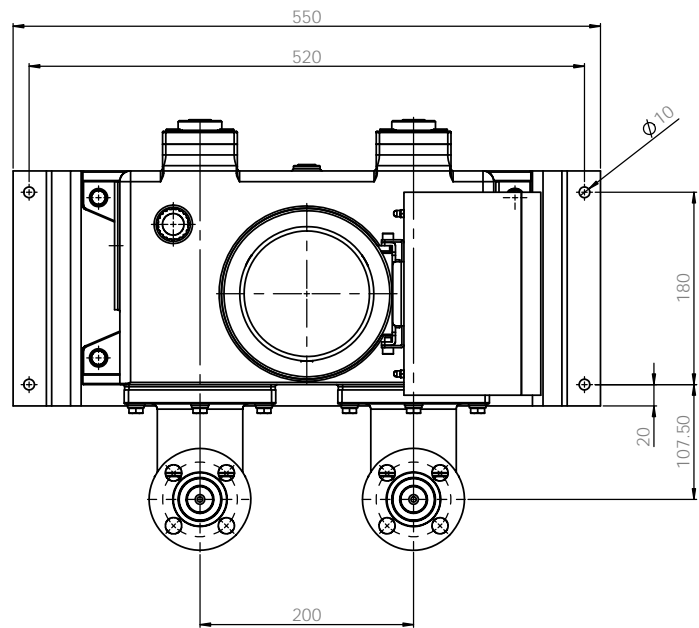
Note
 1. Model : GVMD100
 2. Material : PTFE
 3. Connection : Flange

REVISIONS				SCALE AND BREAK SHARP EDGES		DO NOT SCALE DRAWING		REVISION
NO.	DATE	BY	CHKD.	SCALE	BREAK	SHARP	EDGES	
01	2020.02.21							
02	2020.02.21							
03	2020.02.21							
E-WHA				MATERIAL		PTFE		AC1004B1004A
E-WHA CHEMICAL FEEDER CO., LTD.				SCALE 1:1		SHEET 1 OF 1		A1



Note
 1. Model : GVMD100
 2. Material : Stainless steel
 3. Connection : Hose

ALL DIMENSIONS SPECIFIED UNLESS OTHERWISE SPECIFIED DIMENSIONS ARE IN MILLIMETERS TOLERANCES: FINISH: ANGULAR		FINISH: BRASS AND BRASS SHARP POLISH	DO NOT SCALE DRAWING REVISION
DRAWN: W. PARK CHECK: W. PARK APPROV: S.C. KHA DATE: 2020.02.21 DATE: 2020.02.21 DATE: 2020.02.21	TITLE: PUMP ASSEMBLY-DIM GVMD100S4S4H-H06	MATERIAL: SUS304	DRAWING NO: AC1201B1003A
SCALE: 1:1		SHEET: 1 OF 1	A1



Note
 1. Model : *GVMD100*
 2. Material : *Stainless steel*
 3. Connection : *Flange*

ALL DIMENSIONS SPECIFIED UNLESS OTHERWISE SPECIFIED DIMENSIONS ARE IN MILLIMETERS TOLERANCES: FINISH: ANGULAR				FINISH: BRUSH BRUSH GRAB POLISH	DO NOT SCALE DRAWING REVISION
DRAWN: W. PARK CHECK: W. PARK APPROV: S.C. KIM DATE: 2020.02.21 DATE: 2020.02.21 DATE: 2020.02.21	TITLE: PUMP ASSEMBLY-DIM GVMD100S4S4F-KS 10K 15A FF	MATERIAL: SUS304	DRAWING NO: AC1201B1004A	SHEET 1 OF 1	E-WHA CHEMICAL FEEDER CO., LTD.