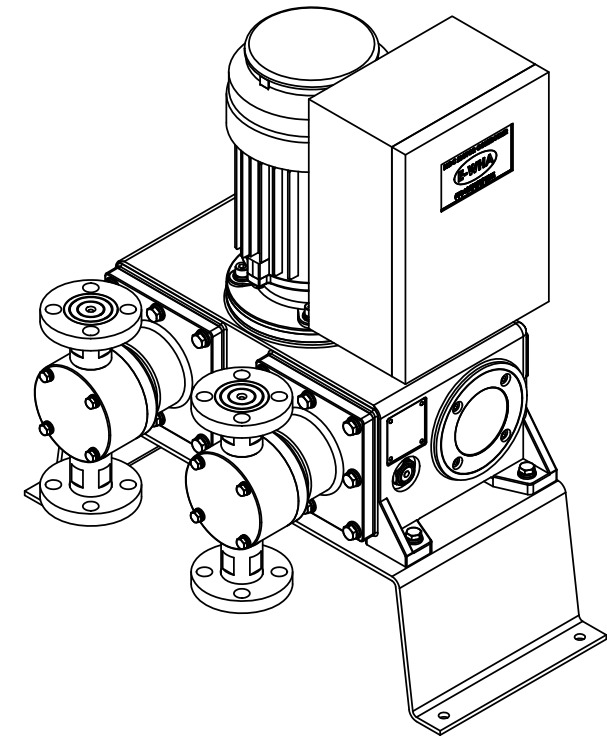
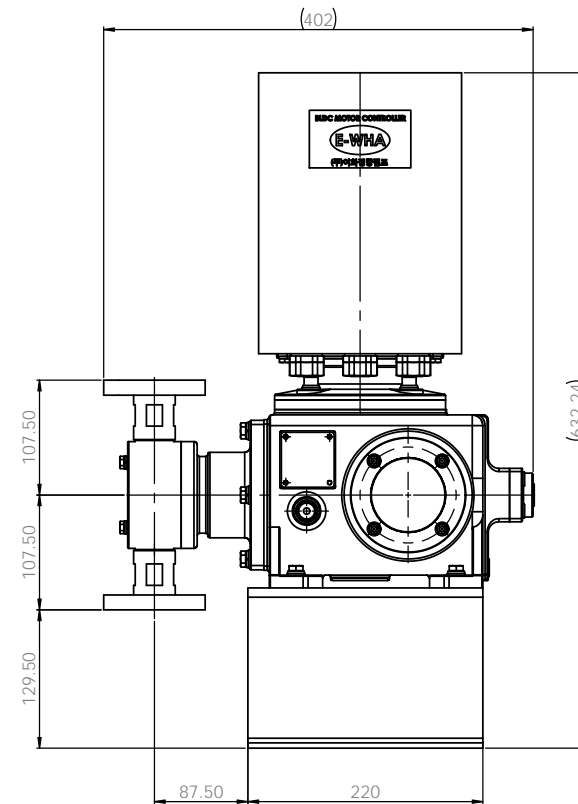
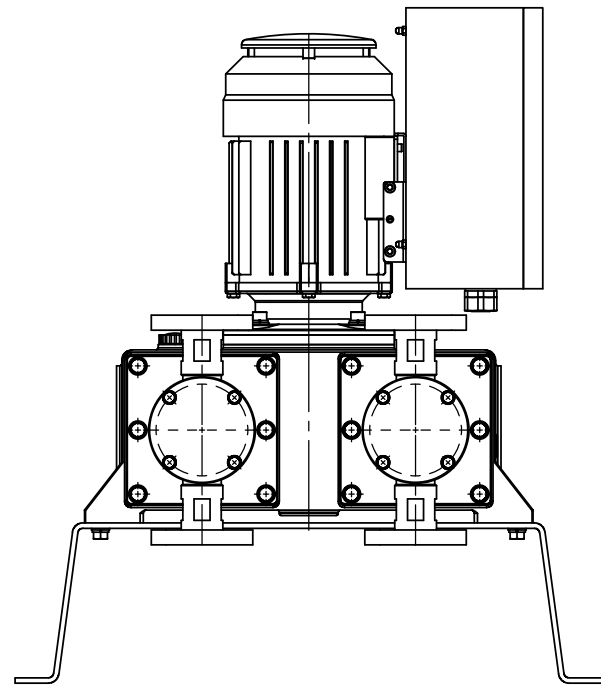
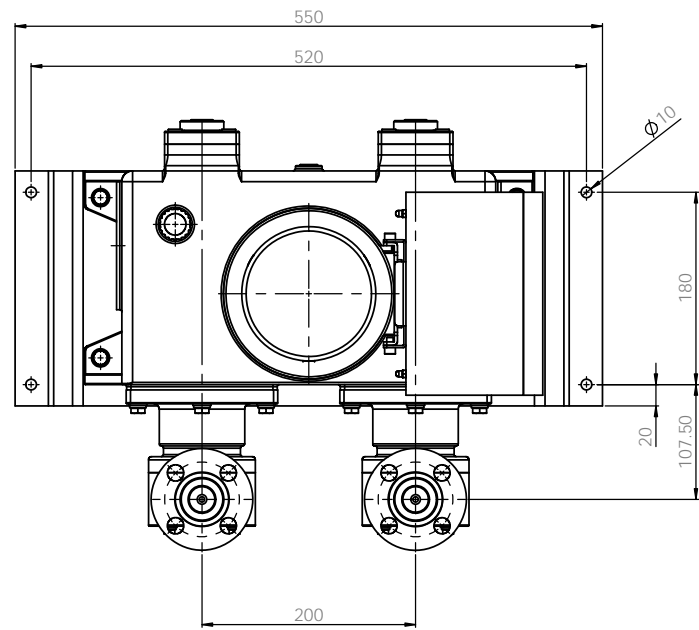


Note
 1. Model : *GVMD1000*
 2. Material : *PP / PVdF*
 3. Connection : *Hose*

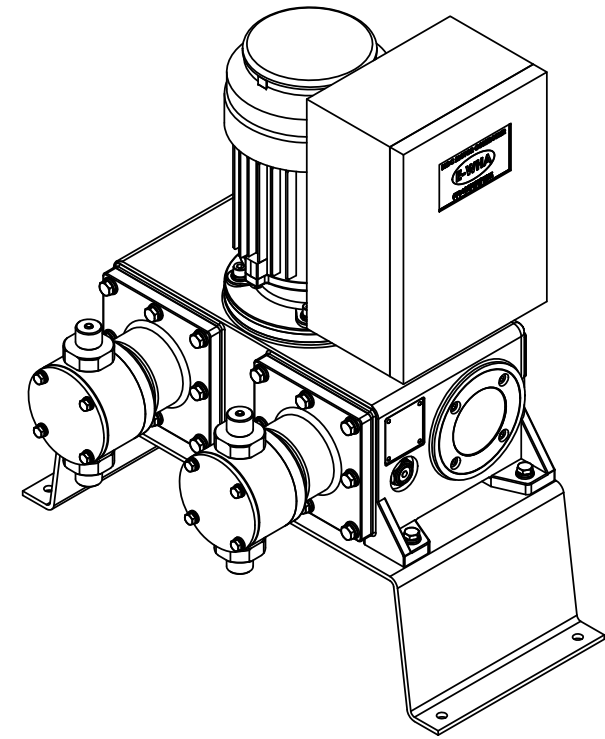
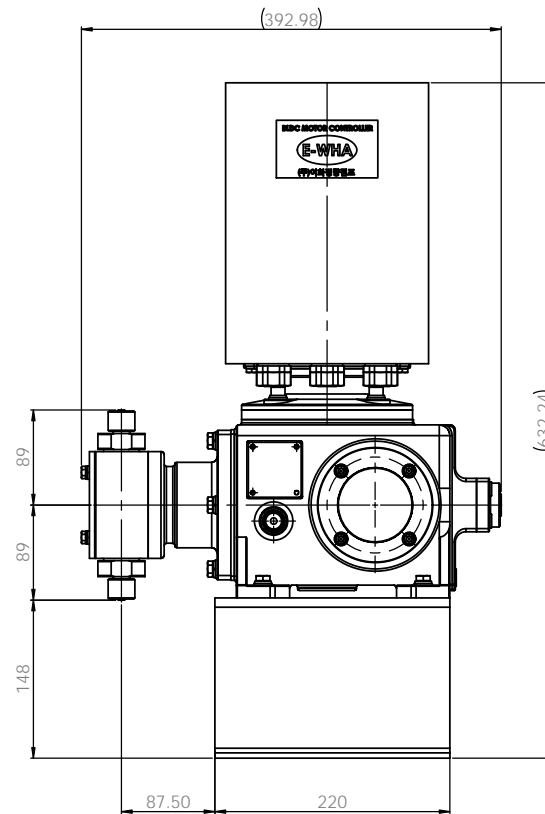
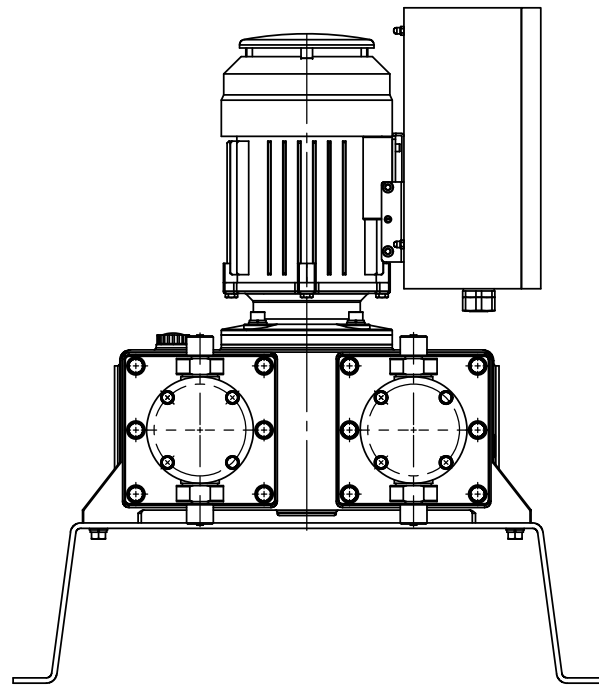
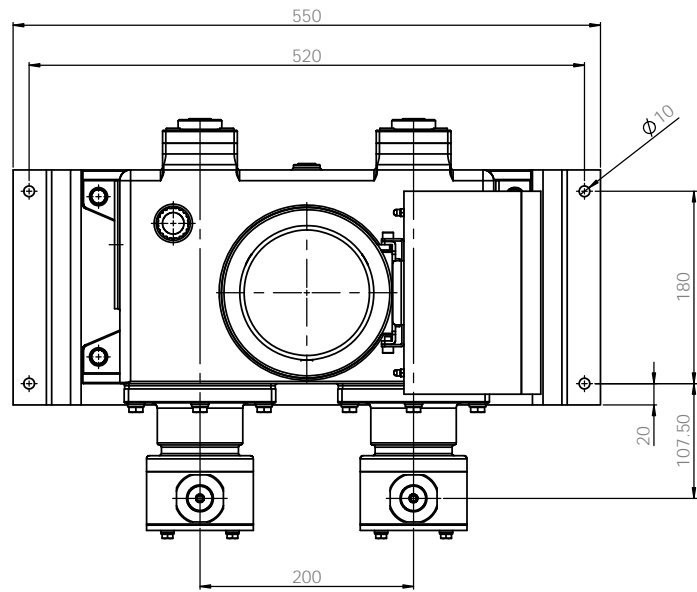
REVISIONS				SCALE AND BREAK SHARP EDGES		DO NOT SCALE DRAWING		REVISION	
NO.	DATE	BY	CHKD	SCALE	BREAK	SCALE	REVISION	NO.	DESCRIPTION
1	2020.02.21							1	INITIAL
2	2020.02.21							2	REVISED
3	2020.02.21							3	REVISED
4	2020.02.21							4	REVISED
5	2020.02.21							5	REVISED
TITLE: PUMP ASSEMBLY-DIM GVMD1000PCH-H06				MATERIAL: PVC		DIMS: AC1000B1009A		SHEET: 1 OF 1	



Note
 1. Model : *GVMD1000*
 2. Material : *PP / PVdF*
 3. Connection : *Flange*

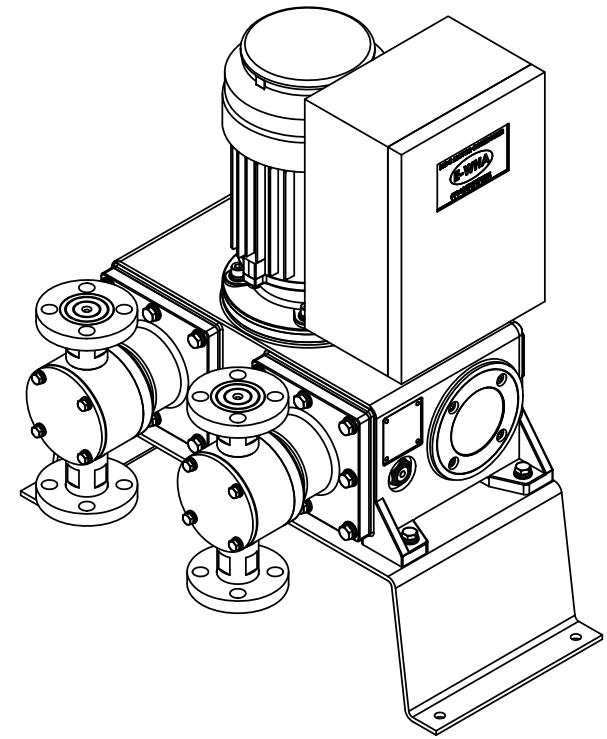
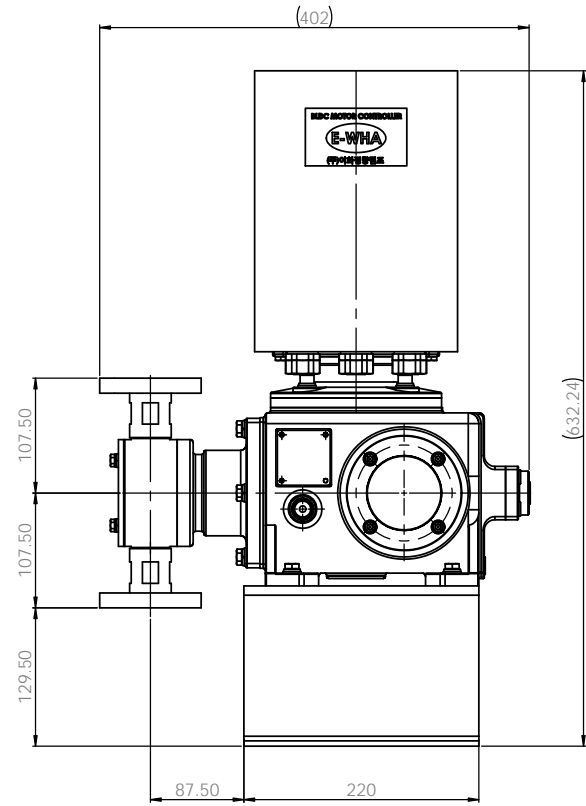
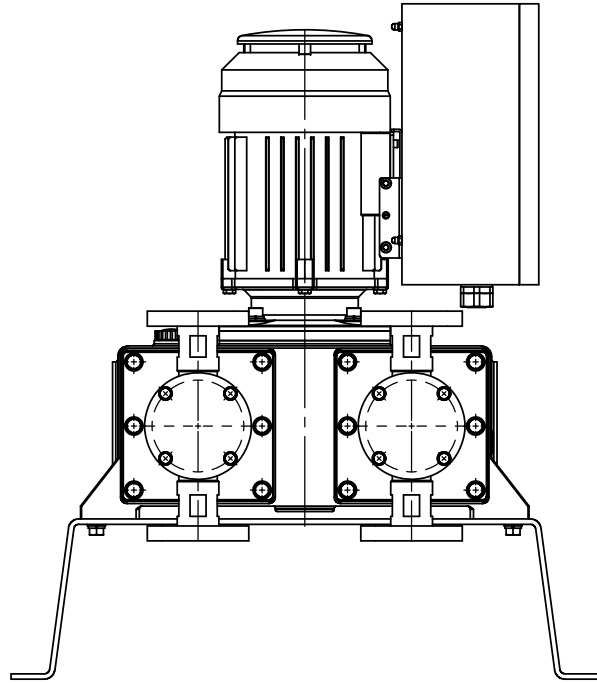
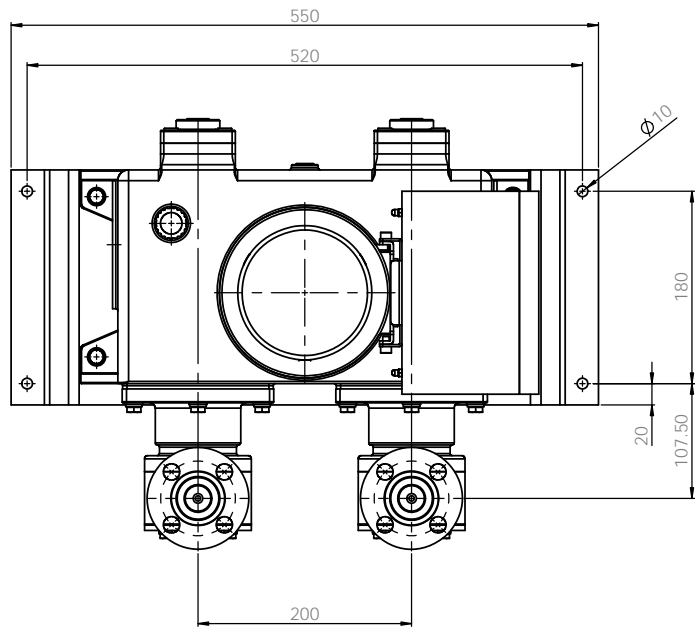
REVISIONS				SCALE AND UNIT		DO NOT SCALE DRAWING		REVISION	
NO.	DATE	BY	CHKD.	SCALE	UNIT	NO.	DESCRIPTION	NO.	DESCRIPTION
1	2024.02.21					1		1	
2	2024.02.21					2		2	
3	2024.02.21					3		3	
4	2024.02.21					4		4	
5	2024.02.21					5		5	

DRAWN: W. PAK				SCALE: 1:1		MATERIAL: PVC		E-WHA CHEMICAL FEEDER CO., LTD.	
CHECKED: W. PAK				DATE: 2024.02.21		PART NO: AC1000B1010A		ITEM: PUMP ASSEMBLY-DIM	
APPROVED: S.C. KHA				DATE: 2024.02.21		MATERIAL: PVC		ITEM: GVMD1000PCF-KS 10K 15A FF	
DATE: 2024.02.21				SCALE: 1:1		MATERIAL: PVC		ITEM: AC1000B1010A	
DRAWN: W. PAK				DATE: 2024.02.21		MATERIAL: PVC		ITEM: AC1000B1010A	
CHECKED: W. PAK				DATE: 2024.02.21		MATERIAL: PVC		ITEM: AC1000B1010A	
APPROVED: S.C. KHA				DATE: 2024.02.21		MATERIAL: PVC		ITEM: AC1000B1010A	
DATE: 2024.02.21				SCALE: 1:1		MATERIAL: PVC		ITEM: AC1000B1010A	



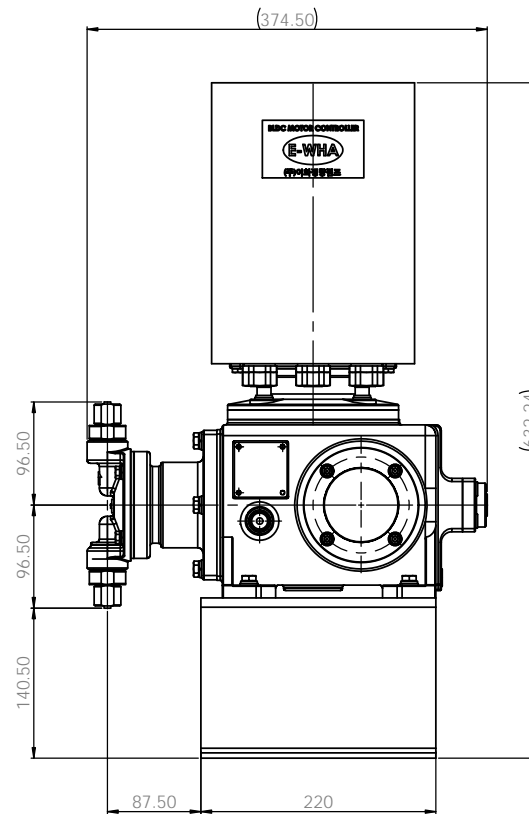
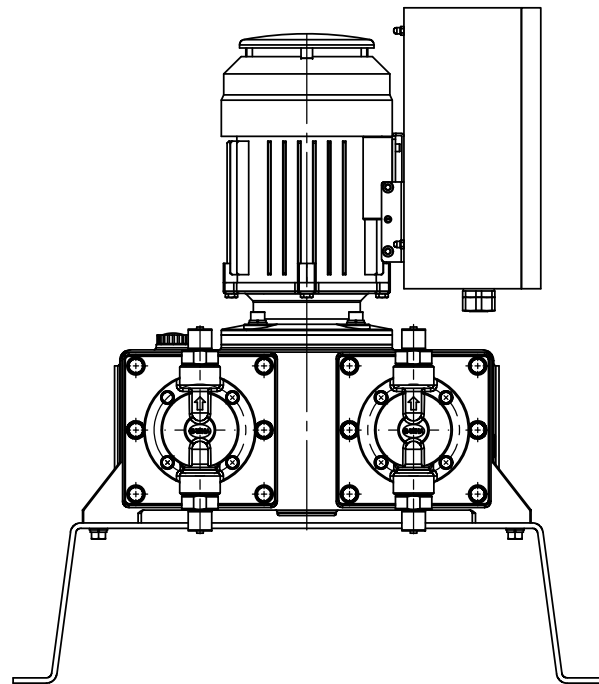
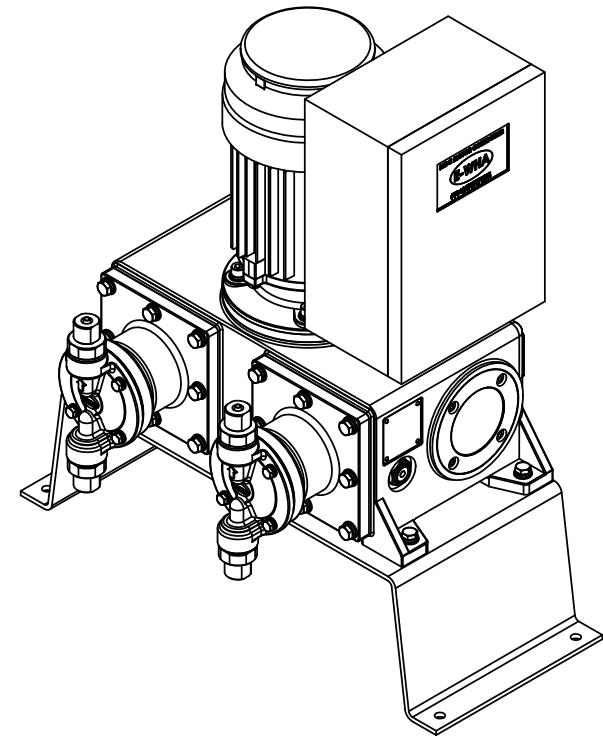
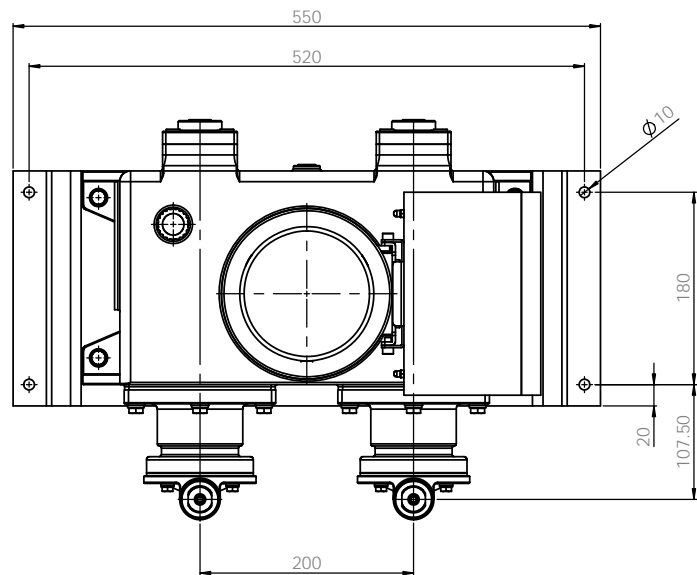
Note
 1. Model : GVMD1000
 2. Material : PTFE
 3. Connection : Hose

REVISIONS				SCALE AND BREAK SHARP EDGES		DO NOT SCALE DRAWING		REVISION
NO.	DATE	BY	CHKD	SCALE	BREAK	SHARP	EDGES	
01	2020.02.21							
02	2020.02.21							
03	2020.02.21							
MATERIAL				PTFE		DIM. NO.		AC1004B1009A
SCALE 1:1				SHEET 1 OF 1		E-WHA CHEMICAL FEEDER CO., LTD.		



Note
 1. Model : GVMD1000
 2. Material : PTFE
 3. Connection : Flange

ALL DIMENSIONS SPECIFIED UNLESS OTHERWISE SPECIFIED DIMENSIONS ARE IN MILLIMETERS UNLESS INDICATED OTHERWISE				SCALE AND BREAK SHARP EDGES		DO NOT SCALE DRAWING		REVISION
DATE	BY	CHKD	APP'D	DATE	BY	DATE	BY	
2020.02.21				2020.02.21				
2020.02.21				2020.02.21				
2020.02.21				2020.02.21				
MATERIAL				PTFE		DIM. NO.		AC1004B1010A
SCALE 1:1				SHEET 1 OF 1		E-WHA CHEMICAL FEEDER CO., LTD.		



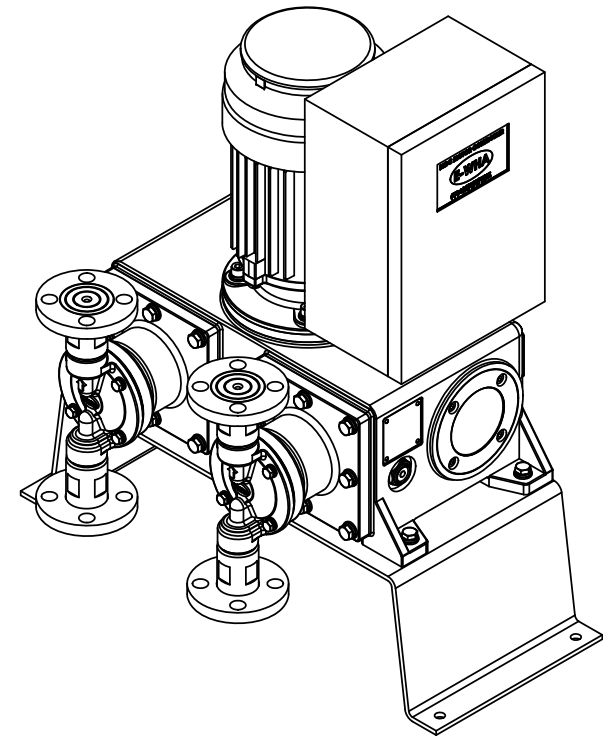
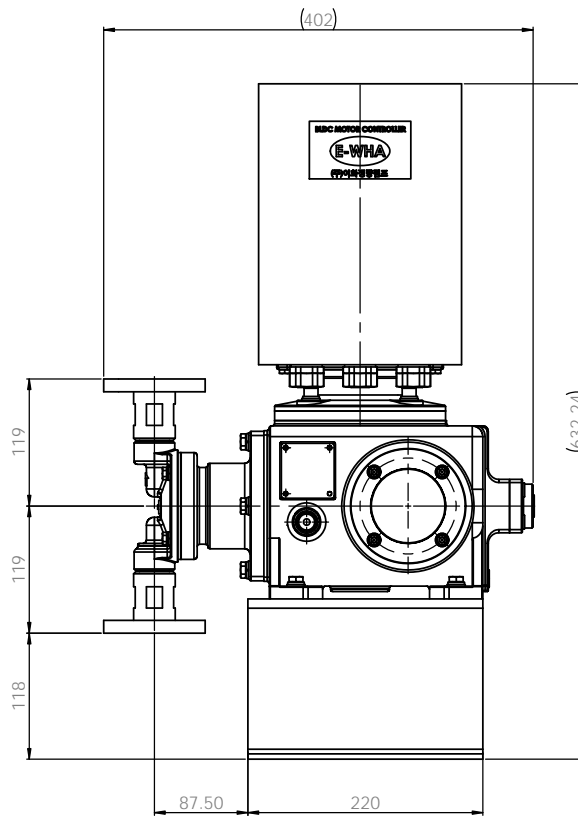
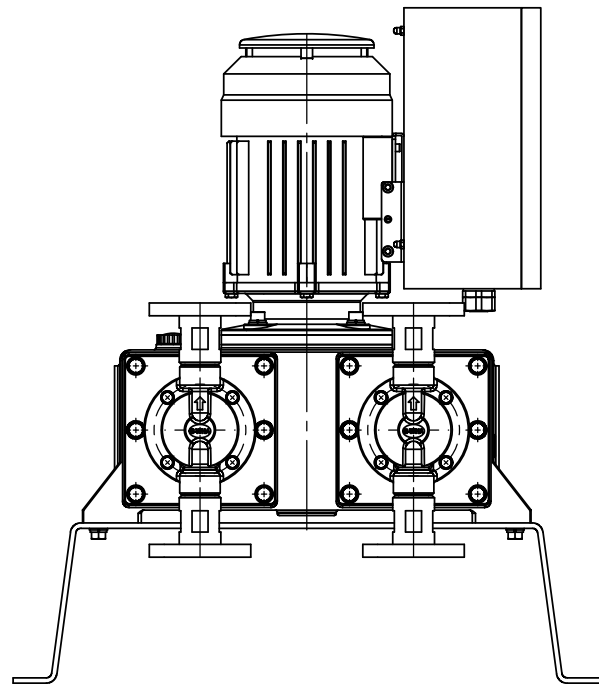
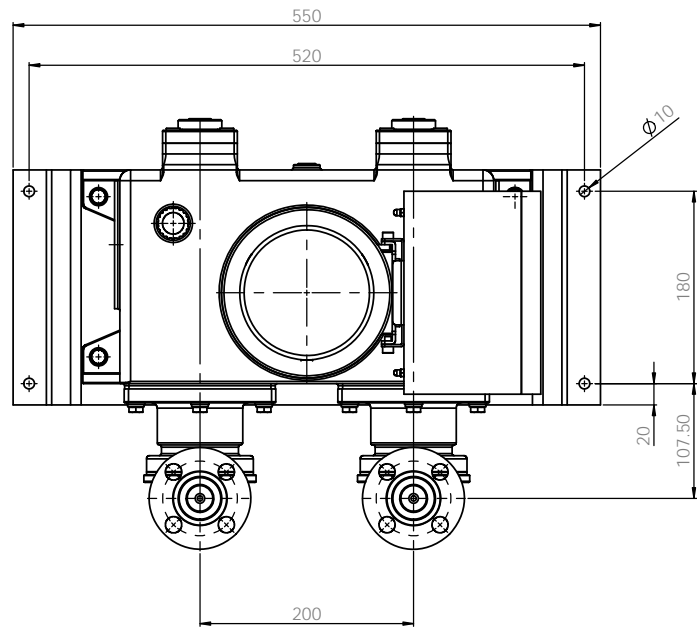
Note
 1. Model : GVMD1000
 2. Material : Stainless steel
 3. Connection : Hose

REVISIONS				SCALE AND BLOCK SHARP ENDS		DO NOT SCALE DRAWING		REVISION	
NO.	DATE	BY	CHKD	SCALE	BLOCK	SCALE	REVISION		
01	2020.02.21	W. PARK							
02	2020.02.21	W. PARK							
03	2020.02.21	S.C. KIM							
MATERIAL				SUS304		DWG. NO.		AC1201B1009A	
SCALE				1:1		SHEET		1 OF 1	

E-WHA CHEMICAL FEEDER CO., LTD.

PUMP ASSEMBLY-DIM
 GVMD1000S4S4H-H06

SUS304 AC1201B1009A A1



Note
 1. Model : *GVMD1000*
 2. Material : *Stainless steel*
 3. Connection : *Flange*

REVISIONS				SCALE AND BREAK SHARP EDGES		DO NOT SCALE DRAWING		REVISION
DATE	BY	CHKD	APPD					
2024.02.21								
2024.02.21								
2024.02.21								
MATERIAL				SUS304		DRAWING NO.		AC1201B1010A
SCALE 1:1						SHEET 1 OF 1		A1