

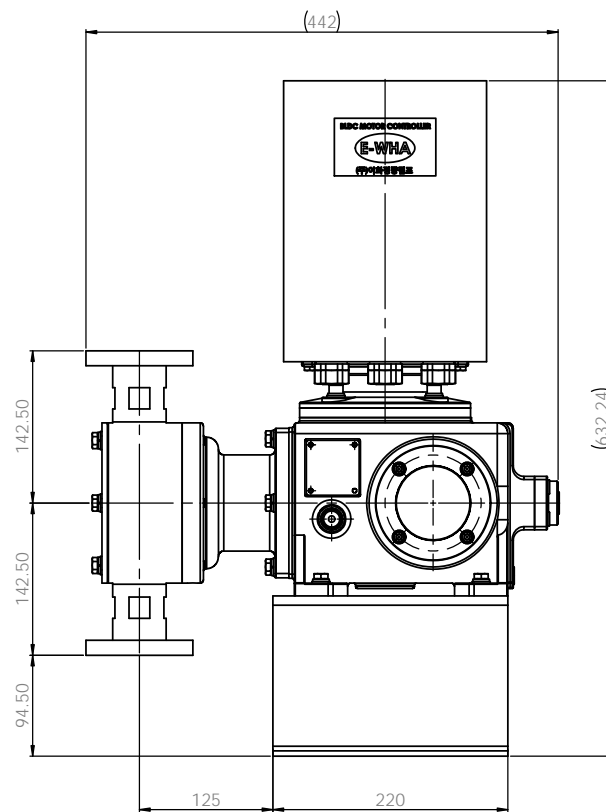
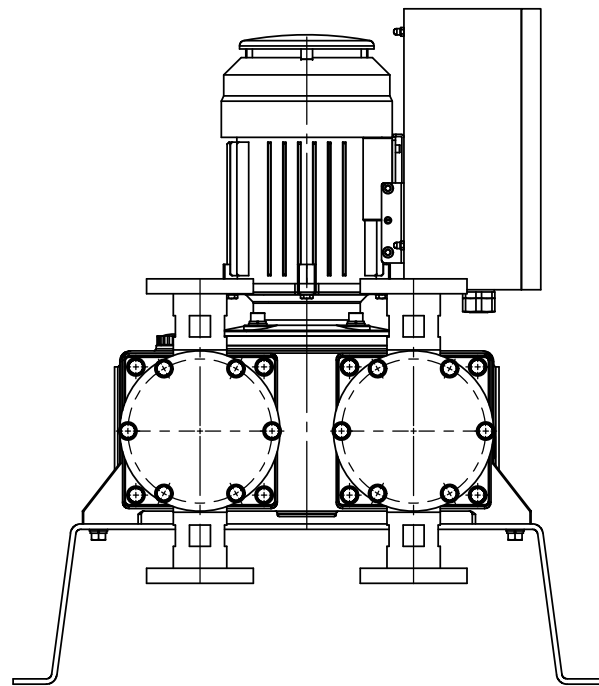
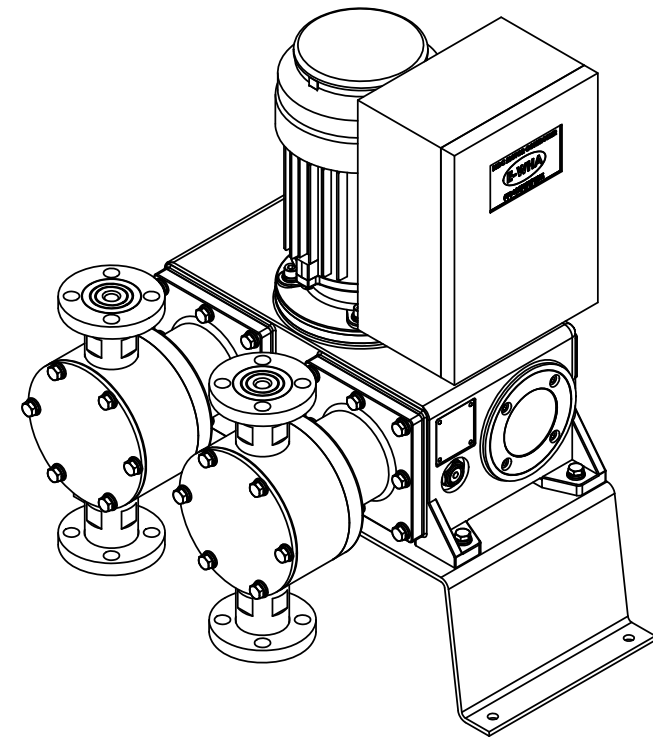
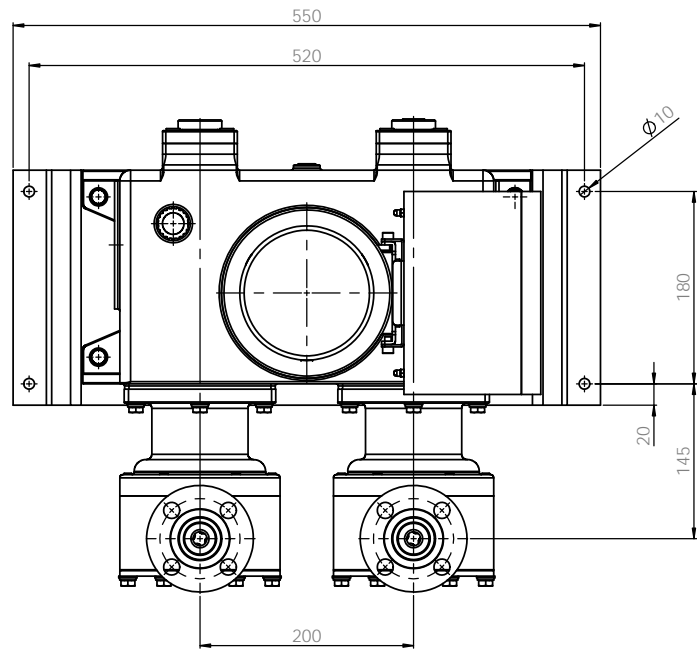
Note
 1. Model : GVMD10L
 2. Material : PP / PVdF
 3. Connection : Flange

REVISIONS				SCALE AND BREAK SHARP EDGES		DO NOT SCALE DRAWING		REVISION	
NO.	DATE	BY	CHKD	SCALE	BREAK	SCALE	REVISION	NO.	DESCRIPTION
01	2020.02.21								
02	2020.02.21								
03	2020.02.21								
MATERIAL				PVC		DIMENSIONS		AC1000B1020B	
SCALE 1:1				SHEET 1 OF 1					

E-WHA CHEMICAL FEEDER CO., LTD.

PUMP ASSEMBLY-DIM
 GVMD10LPCF-KS 10K 20A FF

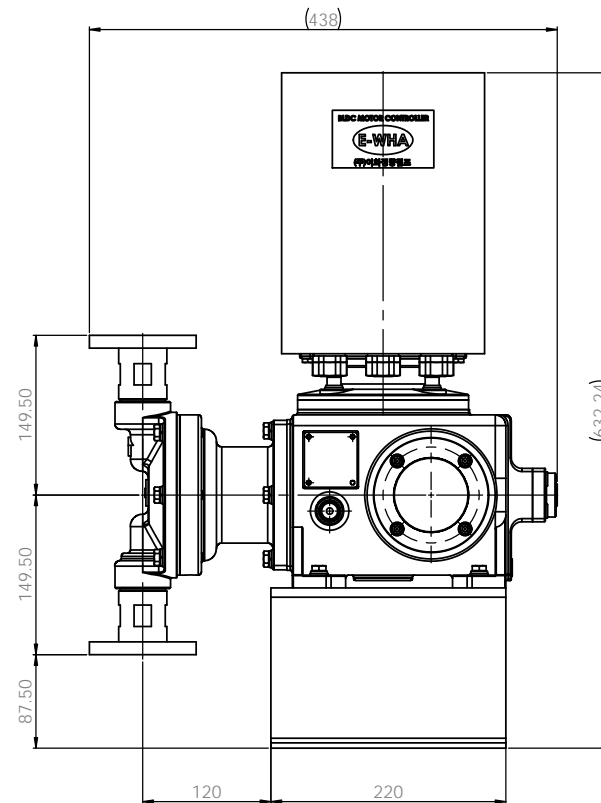
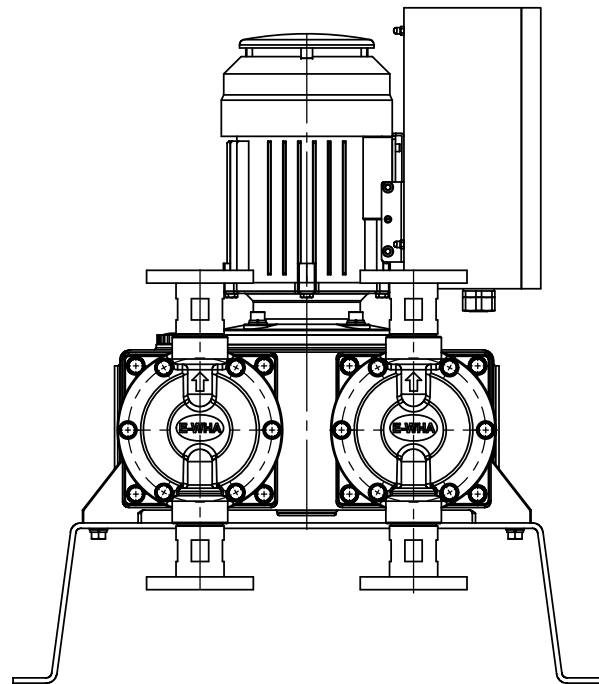
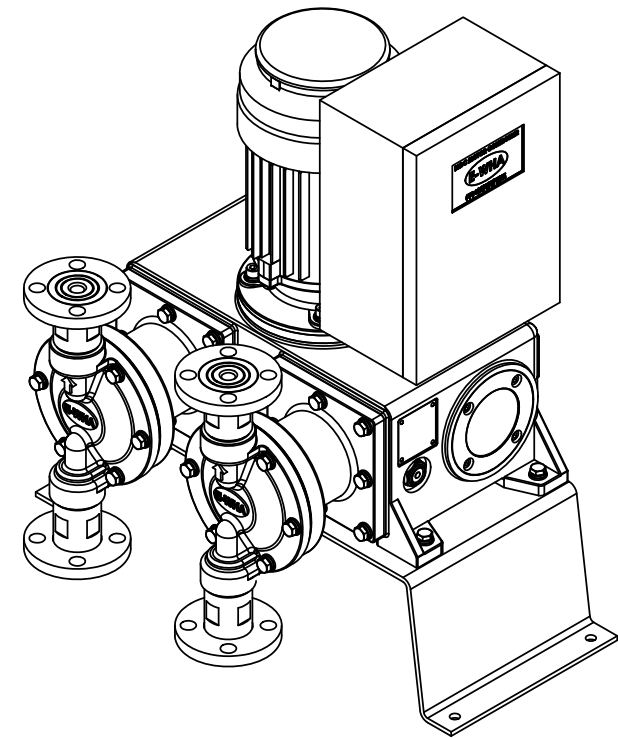
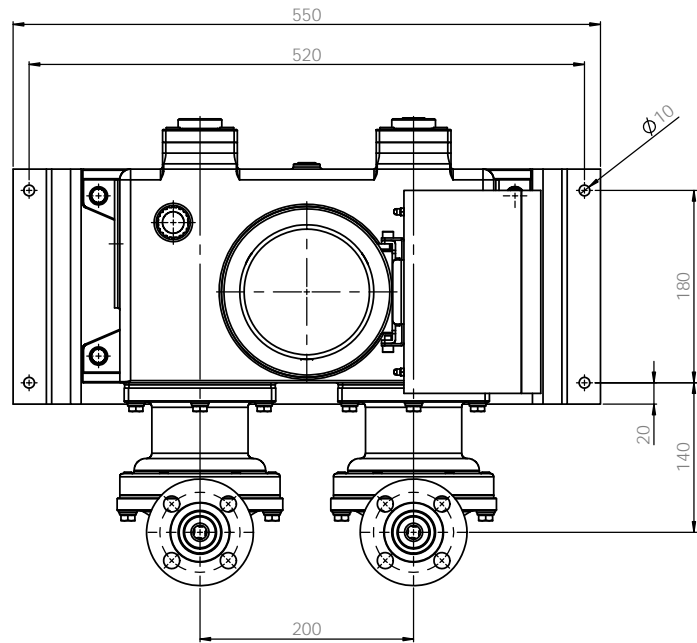
AC1000B1020B A1



Note
 1. Model : GVMD10L
 2. Material : PTFE
 3. Connection : Flange

REVISIONS				SCALE AND BREAK SHARP EDGES		DO NOT SCALE DRAWING		REVISION	
NO.	DATE	BY	CHKD	SCALE	BREAK	SCALE	REVISION	NO.	DESCRIPTION
01	2020.02.21	W. PARK						1	INITIAL
02	2020.02.21	W. PARK						2	REVISED
03	2020.02.21	S.C. KIM						3	REVISED
04								4	
05								5	
06								6	
07								7	
08								8	
09								9	
10								10	
11								11	
12								12	
13								13	
14								14	
15								15	
16								16	

MATERIAL		PTFE	
E-WHA		AC1004B1020B	
SCALE 1:1		SHEET 1 OF 1	



Note
 1. Model : *GVMD10L*
 2. Material : *Stainless steel*
 3. Connection : *Flange*

ALL DIMENSIONS SPECIFIED UNLESS OTHERWISE SPECIFIED DIMENSIONS ARE IN MILLIMETERS TOLERANCES: FINISH: ANGULAR		FINISH: RADIUS AND BREAK SHARP EDGES	DO NOT SCALE DRAWING REVISION
DRAWN: W. PARK CHECK: W. PARK APPROV: S.C. KIM DATE: 2020.02.21 2020.02.21 2020.02.21	TITLE: PUMP ASSEMBLY-DIM GVMD10LS4S4F-KS 10K 20A FF	MATERIAL: SUS304	DRAWING NO: AC1201B1020B
SCALE: 1:1		SHEET 1 OF 1	