

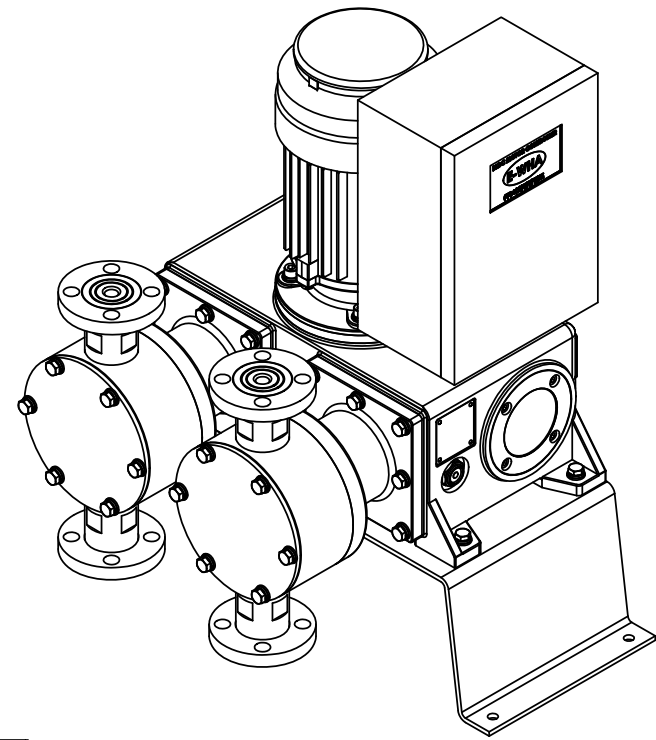
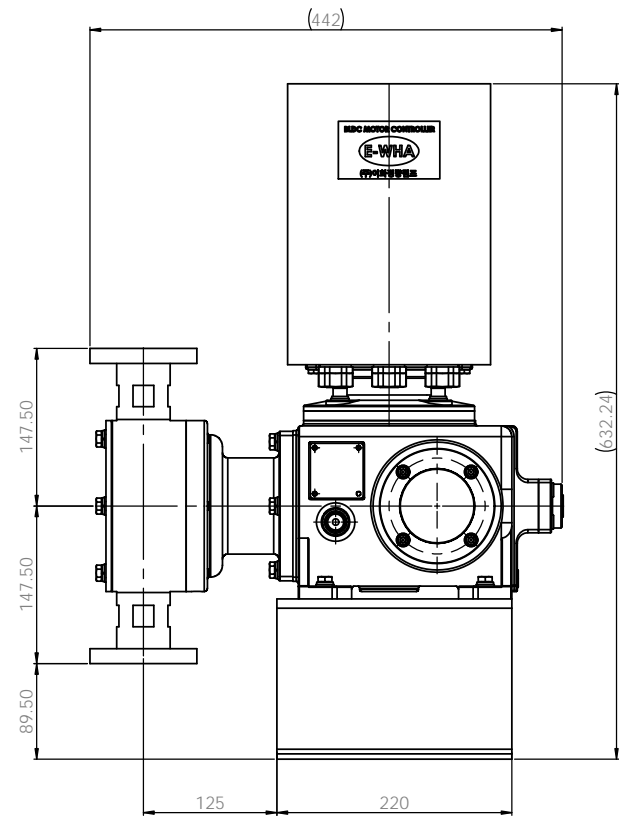
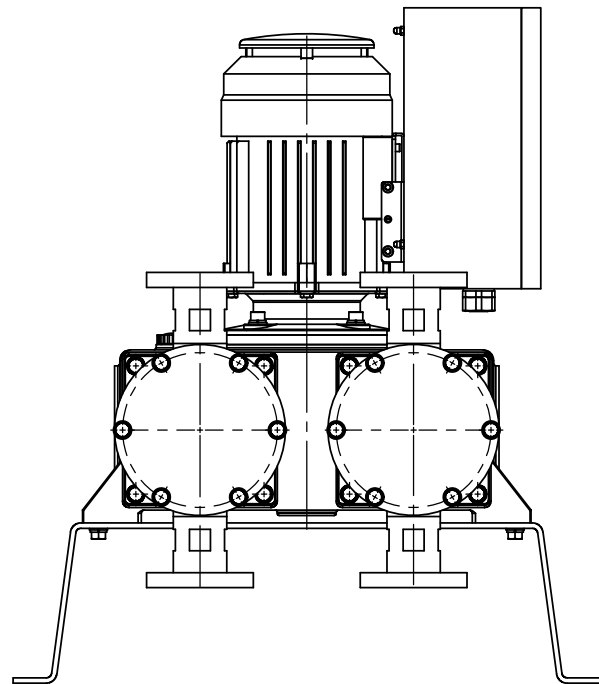
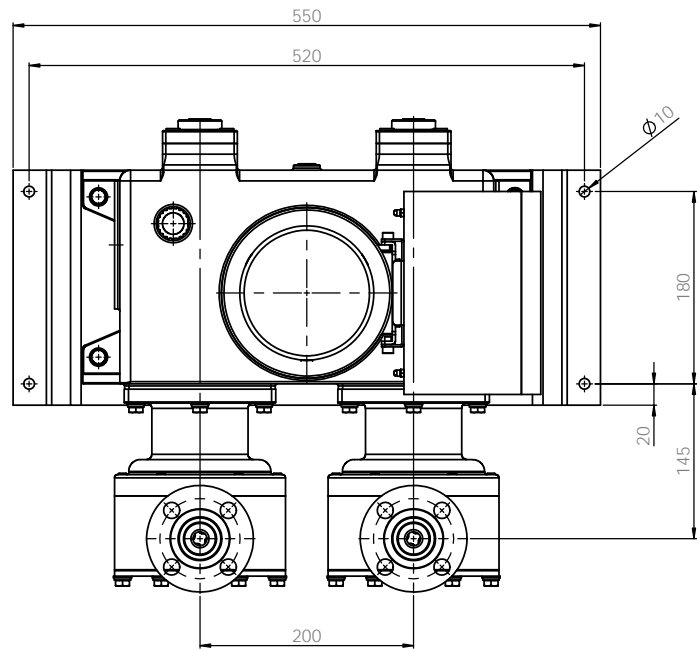
Note
 1. Model : GVMD12L
 2. Material : PP / PVdF
 3. Connection : Flange

REVISIONS				SCALE AND BREAK SHARP EDGES		DO NOT SCALE DRAWING		REVISION	
NO.	DATE	BY	CHKD	SCALE	BREAK	SHARP	EDGES	NO.	DESCRIPTION
01	2020.02.21							1	INITIAL
02	2020.02.21							2	REVISED
03	2020.02.21							3	REVISED
04								4	REVISED
MATERIAL				SCALE		SHEET		TOTAL	
PVC				1:1		1 OF 1		1	

E-WHA CHEMICAL FEEDER CO., LTD.

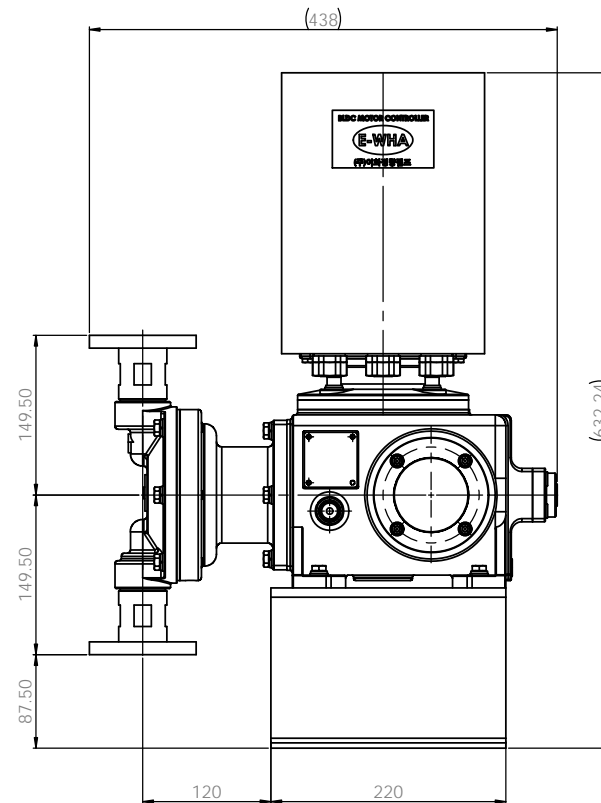
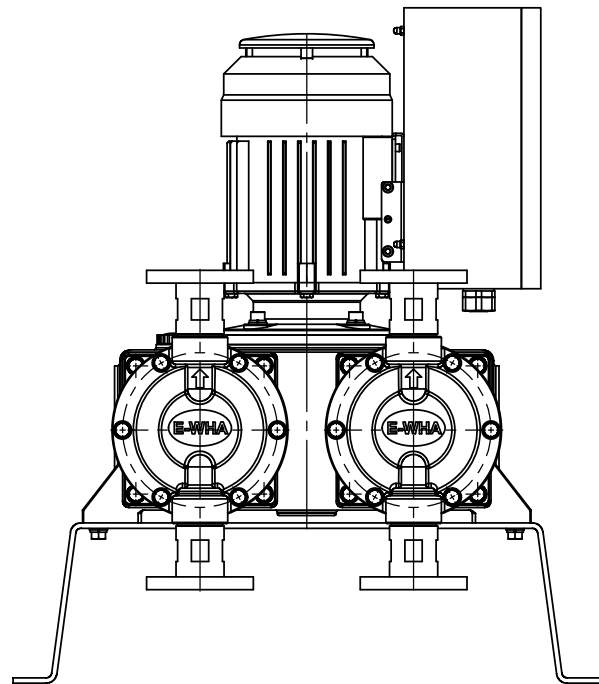
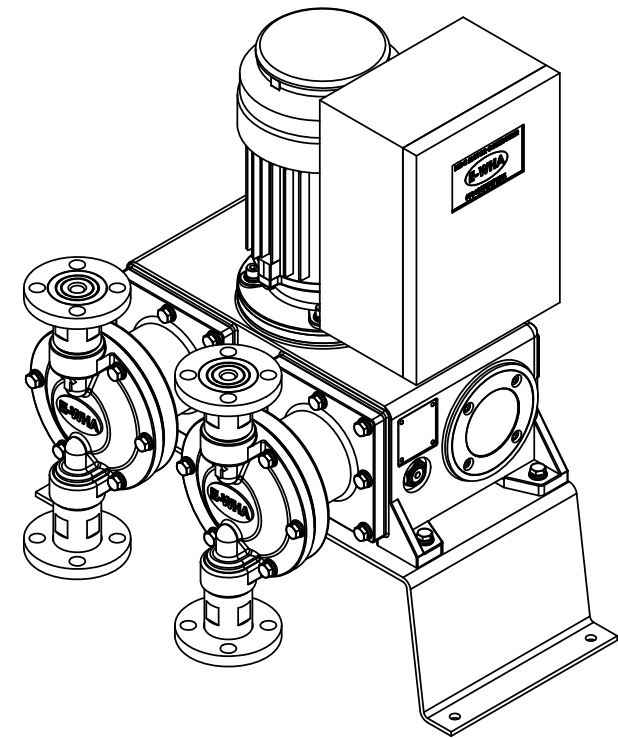
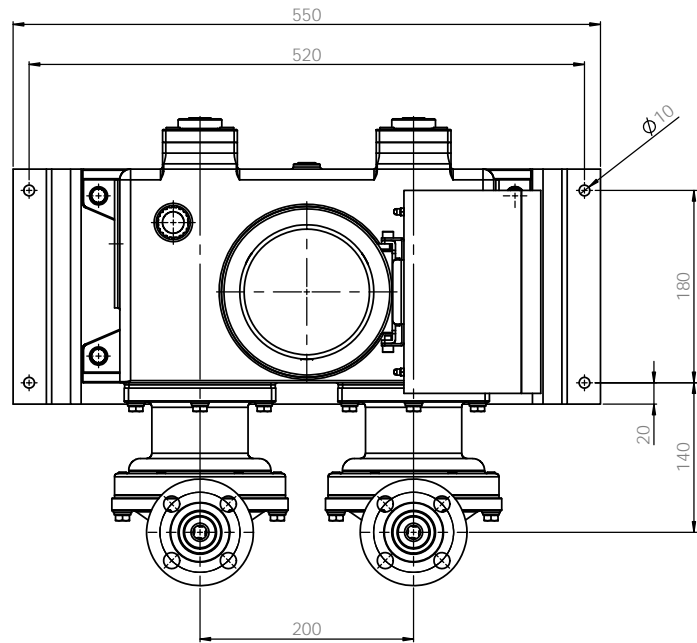
PUMP ASSEMBLY-DIM
 GVMD12LPCF-KS 10K 20A FF

AC1000B1022B A1



Note
 1. Model : GVMD12L
 2. Material : PTFE
 3. Connection : Flange

ALL DIMENSIONS SPECIFIED UNLESS OTHERWISE SPECIFIED DIMENSIONS ARE IN MILLIMETERS UNLESS INDICATED OTHERWISE		UNITS		SCALE AND BREAK SHARP EDGES		DO NOT SCALE DRAWING		REVISION	
DATE	BY	DATE	BY	DATE	BY	DATE	BY	DATE	BY
2024.02.21	W. PARK	2024.02.21	W. PARK	2024.02.21	S.C. KIM				
2024.02.21	S.C. KIM								
MATERIAL		PTFE		DIM. NO.		AC1004B1022B		A1	
SCALE 1:1		SHEET 1 OF 1		E-WHA CHEMICAL FEEDER CO., LTD.		PUMP ASSEMBLY-DIM GVMD12LTCF-KS 10K 20A FF			



Note
 1. Model : GVMD12L
 2. Material : Stainless steel
 3. Connection : Flange

ALL DIMENSIONS SPECIFIED UNLESS OTHERWISE SPECIFIED DIMENSIONS ARE IN MILLIMETERS TOLERANCES: FRACTIONS DECIMALS ANGULAR		FINISH BRASS AND BRASS SHARP POLISH	DO NOT SCALE DRAWING REVISION
DRAWN: W. PAKK CHECK: W. PAKK APPROV: S.C. KHA DATE: 2020.02.21 2020.02.21 2020.02.21	TITLE PUMP ASSEMBLY-DIM GVMD12LS4S4F-KS 10K 20A FF	MATERIAL SUS304	SHEET NO. AC1201B1022B
SCALE: 1:1		SHEET 1 OF 1	