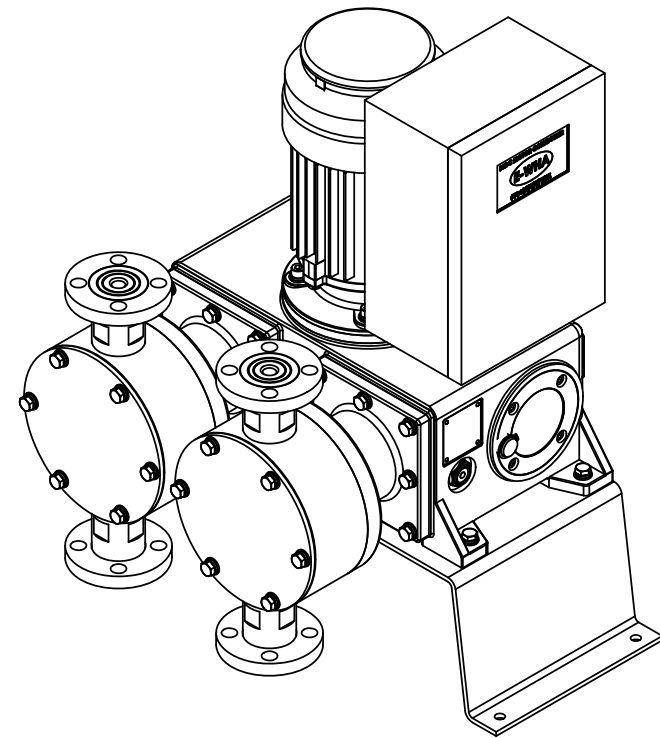
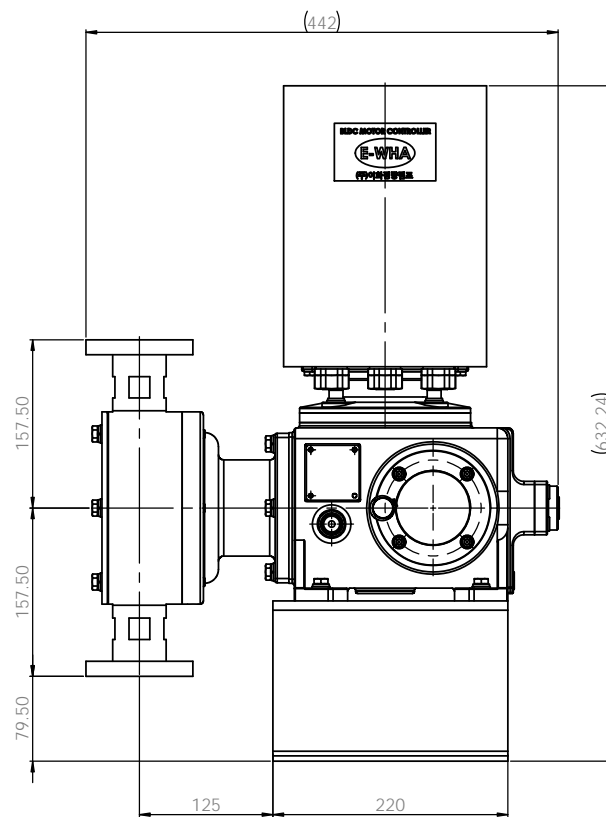
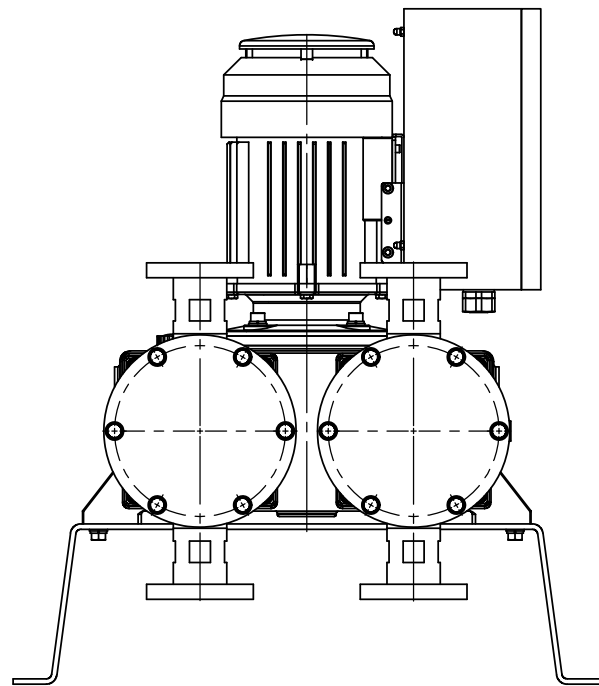
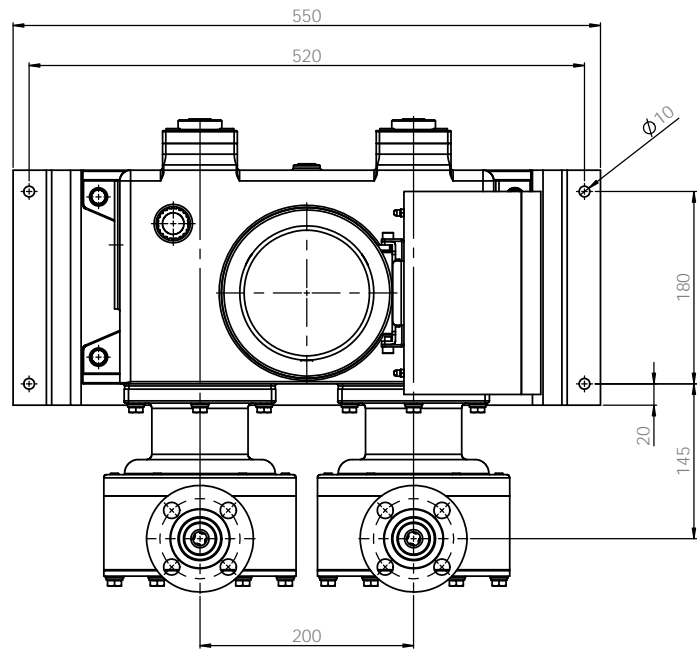


Note
 1. Model : GVMD16L
 2. Material : PP / PVdF
 3. Connection : Flange

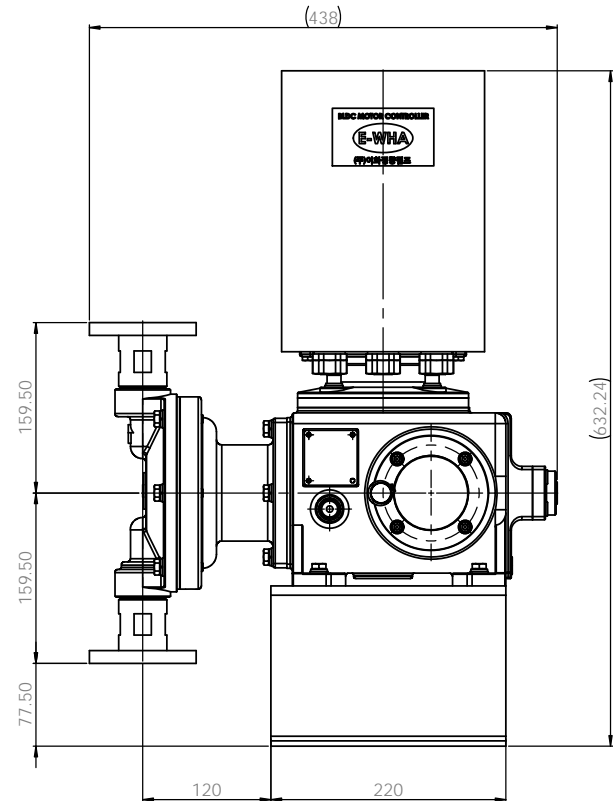
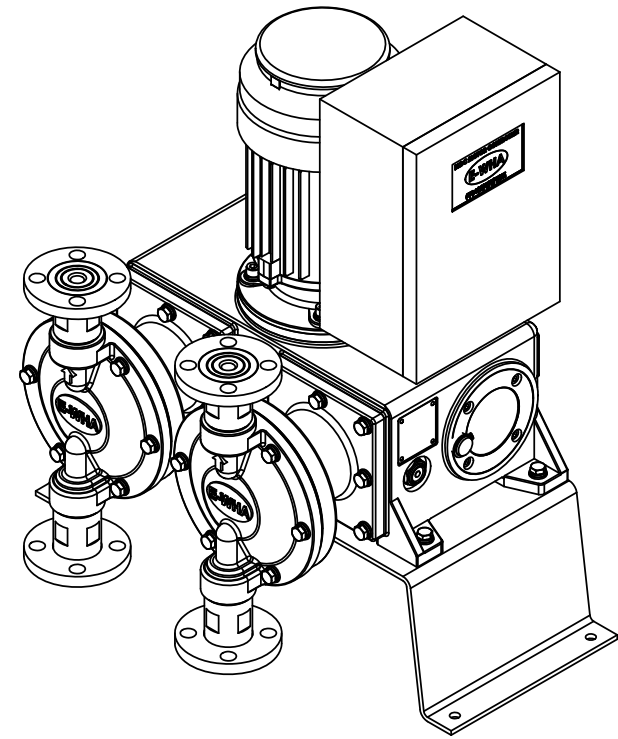
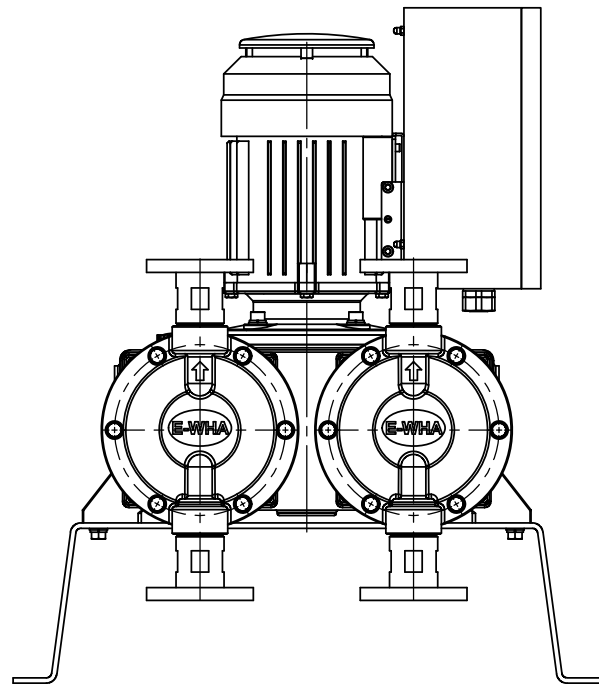
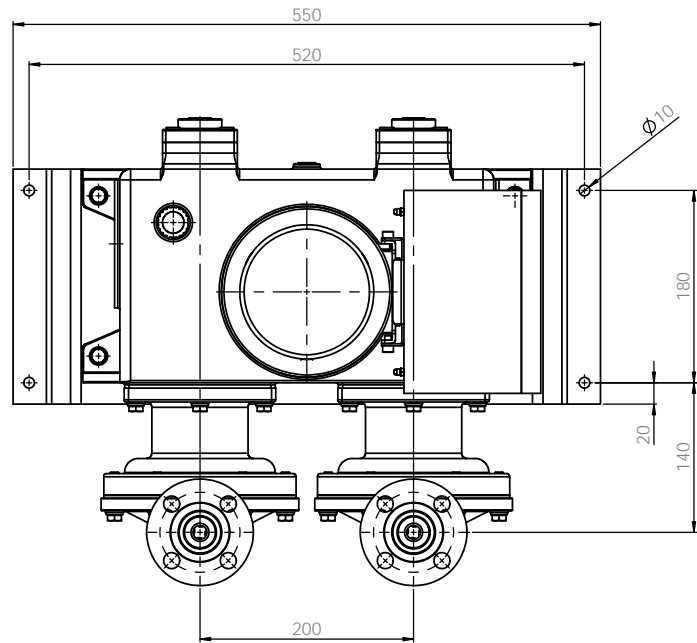
REVISIONS				SCALE AND BLOCK SHARP ENDS		DO NOT SCALE DRAWING		REVISION	
NO.	DATE	BY	CHKD.	SCALE	BLOCK	SCALE	REVISION	NO.	DESCRIPTION
1	2020.02.21								
2	2020.02.21								
3	2020.02.21								
4									
5									
6									
7									
8									
9									
10									
11									
12									
13									
14									
15									
16									

PUMP ASSEMBLY-DIM				E-WHA CHEMICAL FEEDER CO., LTD.	
GVMD16LPCF-KS 10K 20A FF					
MATERIAL: PVC				DRAWING NO: AC1000B1024B	
SCALE: 1:1				SHEET 1 OF 1	



Note
 1. Model : **GVMD16L**
 2. Material : **PTFE**
 3. Connection : **Flange**

ALL DIMENSIONS SPECIFIED UNLESS OTHERWISE SPECIFIED DIMENSIONS ARE IN MILLIMETERS				TOLERANCES UNLESS OTHERWISE SPECIFIED		FINISH AND SURFACE TREATMENT		DO NOT SCALE DRAWING		REVISION	
DATE	BY	CHKD	APP'D	FINISH	TOLERANCE	FINISH	REVISION	E-WHA CHEMICAL FEEDER CO., LTD.			
2024.02.21	W. PARK							PUMP ASSEMBLY-DIM			
2024.02.21	W. PARK							GVMD16LTCF-KS 10K 20A FF			
2024.02.21	S.C. KIM							MATERIAL: PTFE			
								DRAWING NO: AC1004B1024B			
								SCALE: 1:1			
								SHEET 1 OF 1			



Note
 1. Model : *GVMD16L*
 2. Material : *Stainless steel*
 3. Connection : *Flange*

ALL DIMENSIONS SPECIFIED UNLESS OTHERWISE SPECIFIED DIMENSIONS ARE IN MILLIMETERS UNLESS OTHERWISE SPECIFIED UNLESS OTHERWISE SPECIFIED UNLESS OTHERWISE SPECIFIED		FINISH FINISH AND BEVEL SHARP EDGES	DO NOT SCALE DRAWING REVISION
DRAWN : W. PAK CHECK : W. PAK APPROV : S.C. KHA DATE : 2020.02.21 DATE : 2020.02.21 DATE : 2020.02.21	MODEL : GVMD16L DATE : 2020.02.21	MATERIAL : SUS304 DIMC NO : AC1201B1024B	E-WHA CHEMICAL FEEDER CO., LTD. PUMP ASSEMBLY-DIM GVMD16LS4S4F-KS 10K 20A FF SCALE 1:1 SHEET 1 OF 1