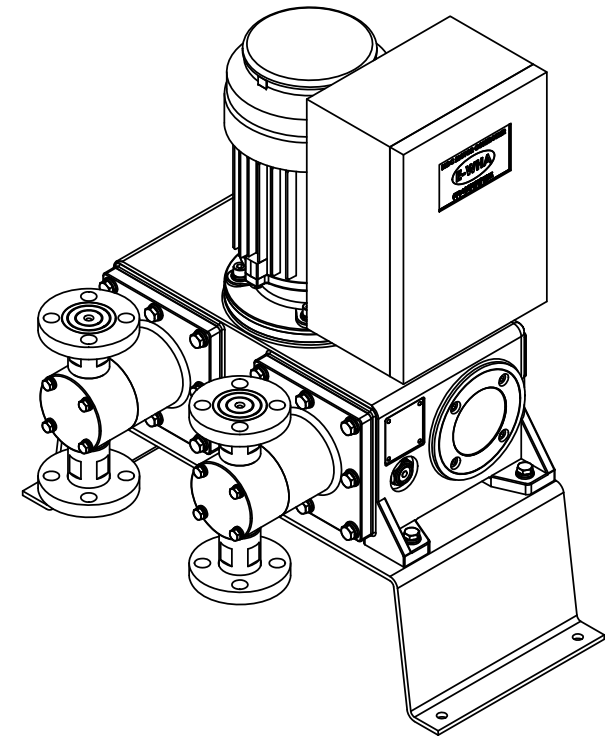
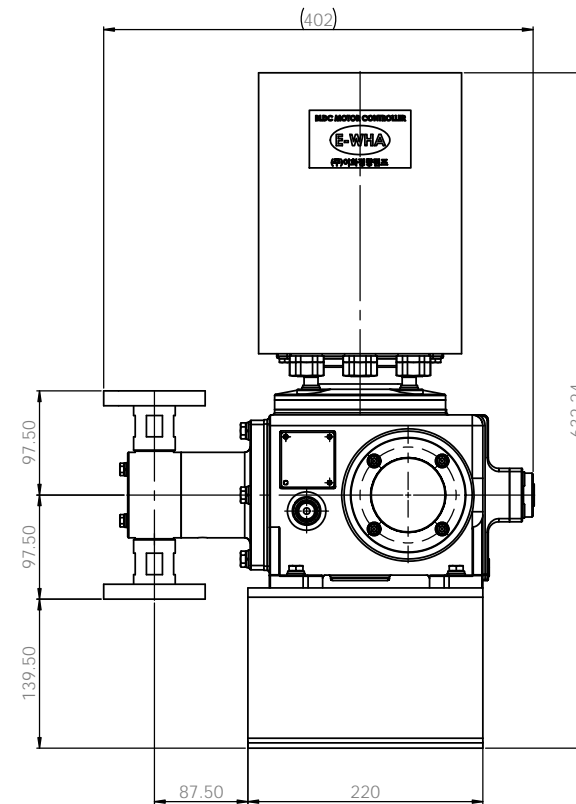
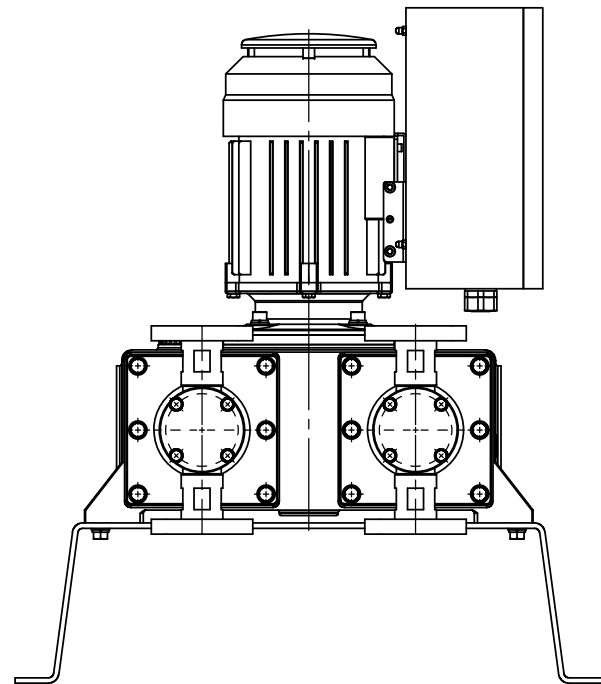
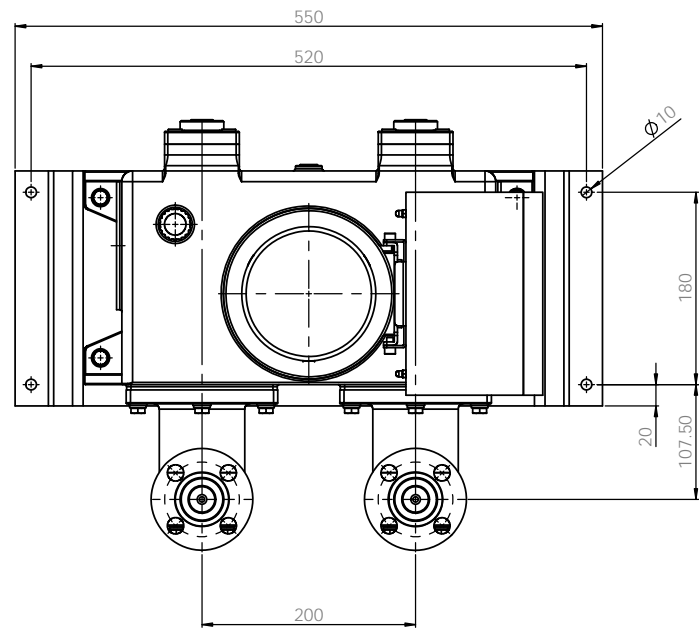


Note
 1. Model : *GVMD200*
 2. Material : *PP / PVdF*
 3. Connection : *Hose*

REVISI DAN PERUBAHAN				REVISI		REVISI	
NO	REVISI	REVISI	REVISI	REVISI	REVISI	REVISI	REVISI
1	DRW	W. PAK	2020.02.21				
2	CHK	W. PAK	2020.02.21				
3	APV	S.C. KAP	2020.02.22				
4							
5							
6							
7							
8							
9							
10							
11							
12							
13							
14							
15							
16							

MATERIAL				MATERIAL			
PVC				AC1000B1005A			
SCALE 1:1				SCALE 1:1			
SHEET 1 OF 1				SHEET 1 OF 1			

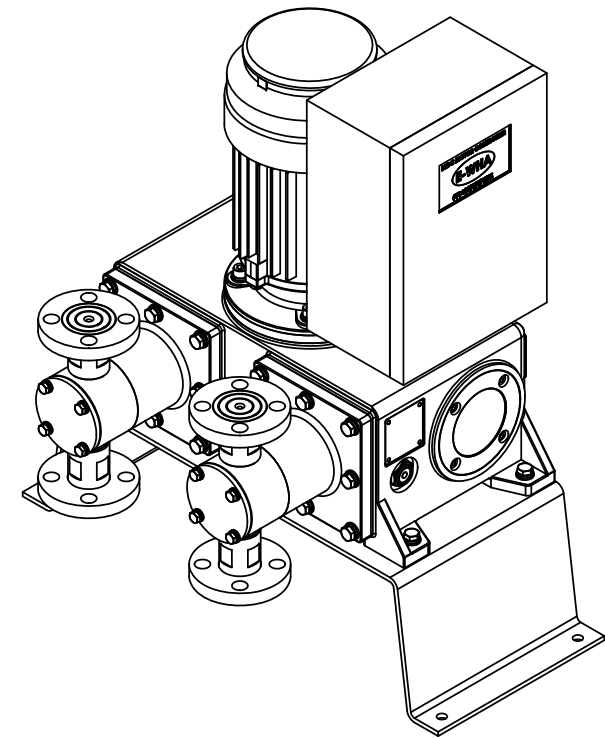
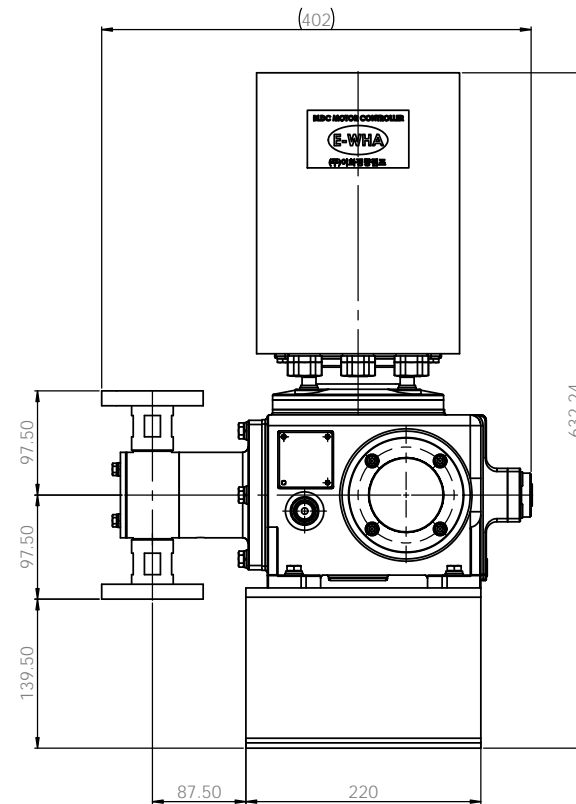
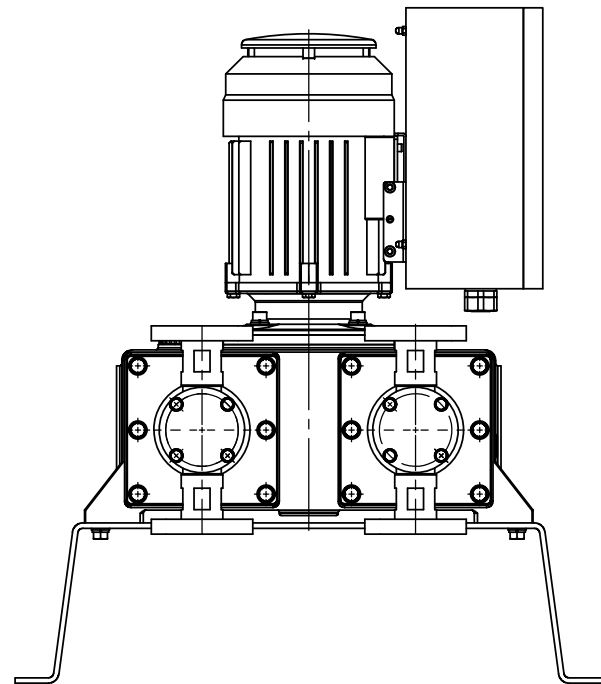
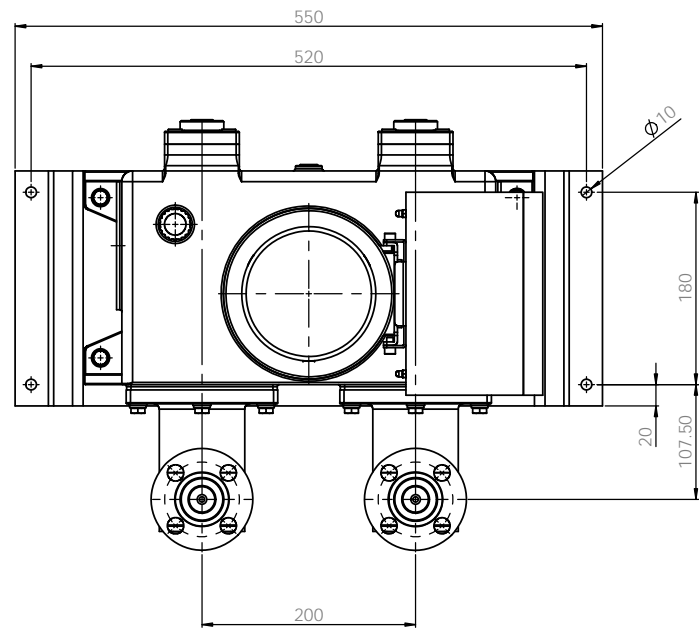
E-WHA CHEMICAL FEEDER CO., LTD.
 PUMP ASSEMBLY-DIM
 GVMD200PCH-H06



Note
 1. Model : *GVMD200*
 2. Material : *PP / PVdF*
 3. Connection : *Flange*

REVISIONS				REVISION	
NO.	DATE	DESCRIPTION	BY	CHKD	REVISION
1	2020.02.21				
2	2020.02.21				
3	2020.02.21				
4					
5					
6					
7					
8					
9					
10					
11					
12					
13					
14					
15					
16					

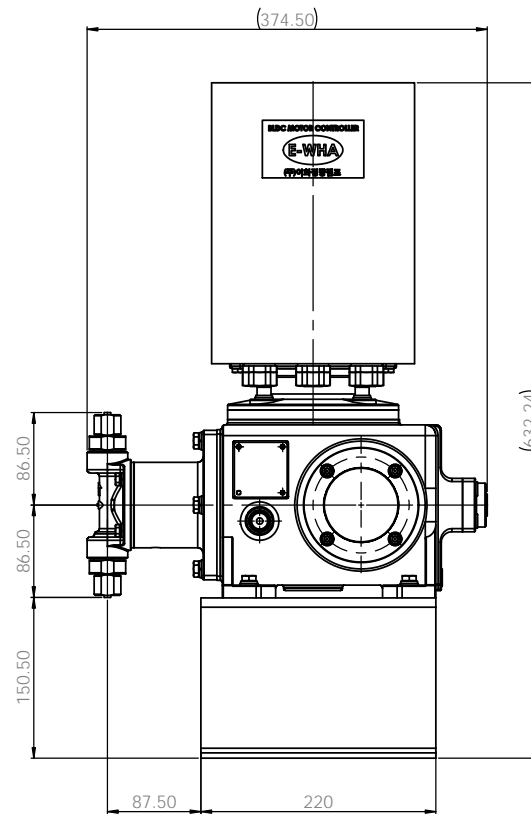
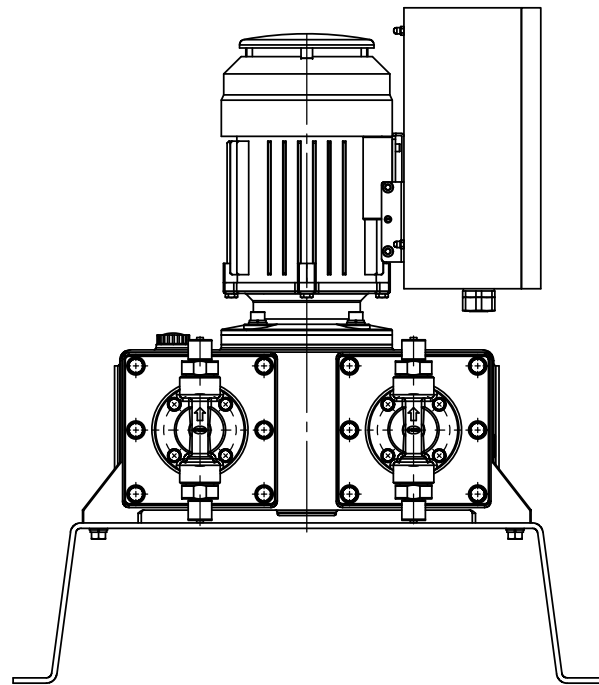
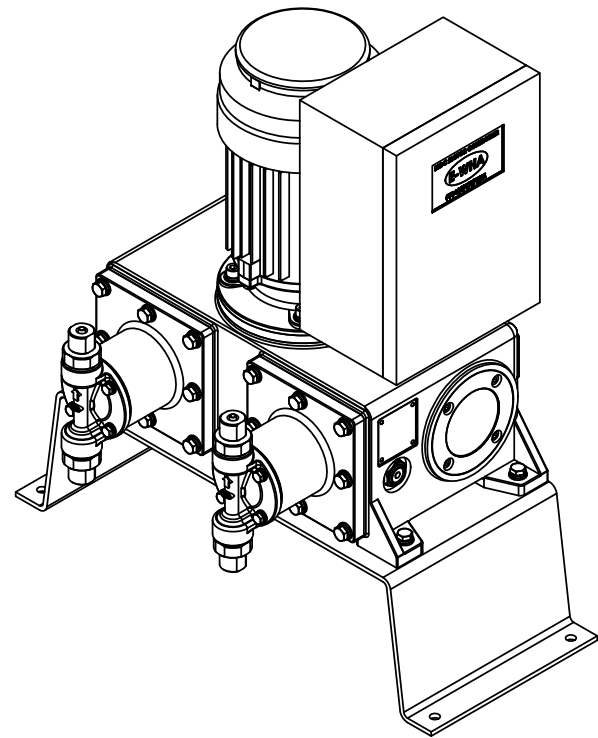
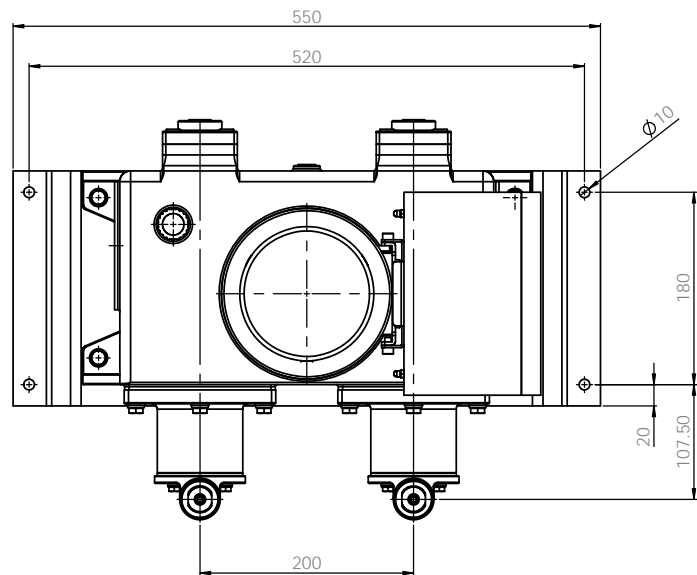
PUMP ASSEMBLY-DIM		E-WHA CHEMICAL FEEDER CO., LTD.	
GVMD200PCF-KS 10K 15A FF			
PVC		AC1000B1006A	
SCALE 1:1		SHEET 1 OF 1	



Note
 1. Model : GVMD200
 2. Material : PTFE
 3. Connection : Flange

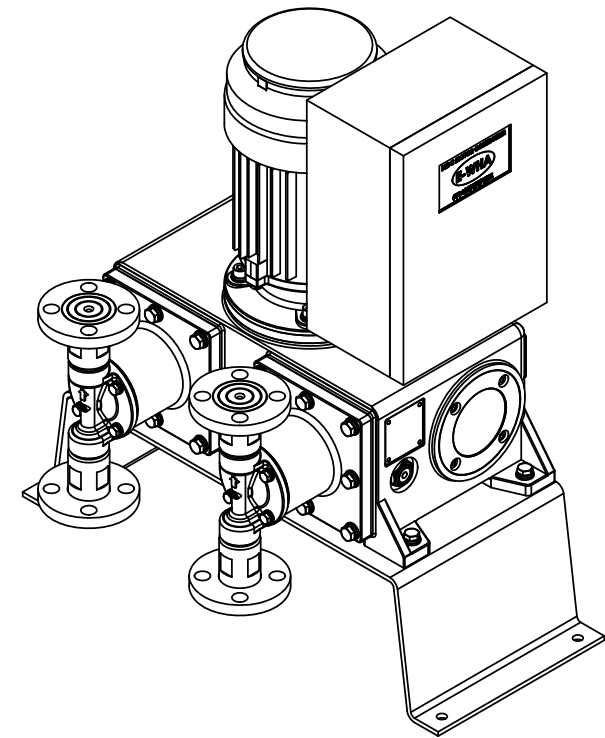
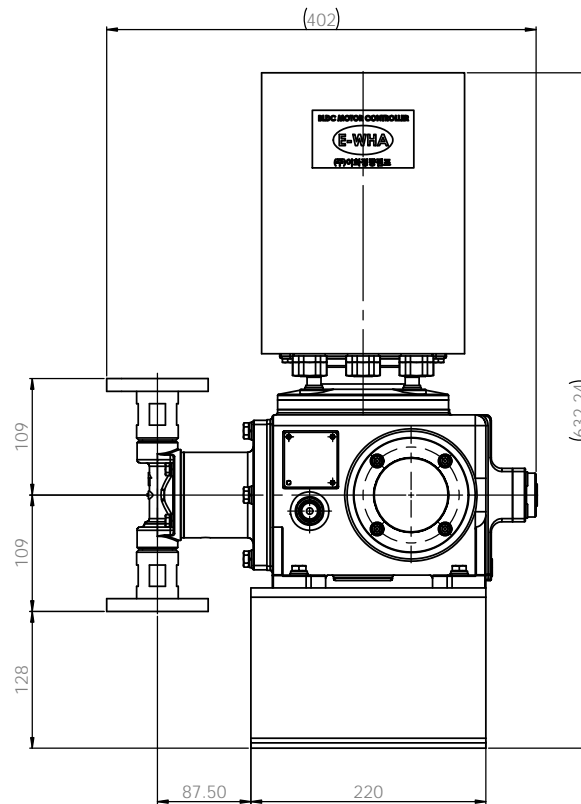
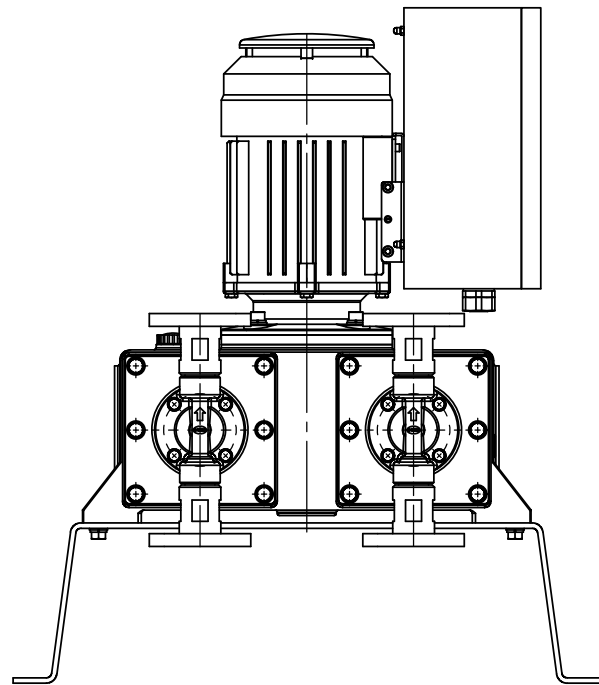
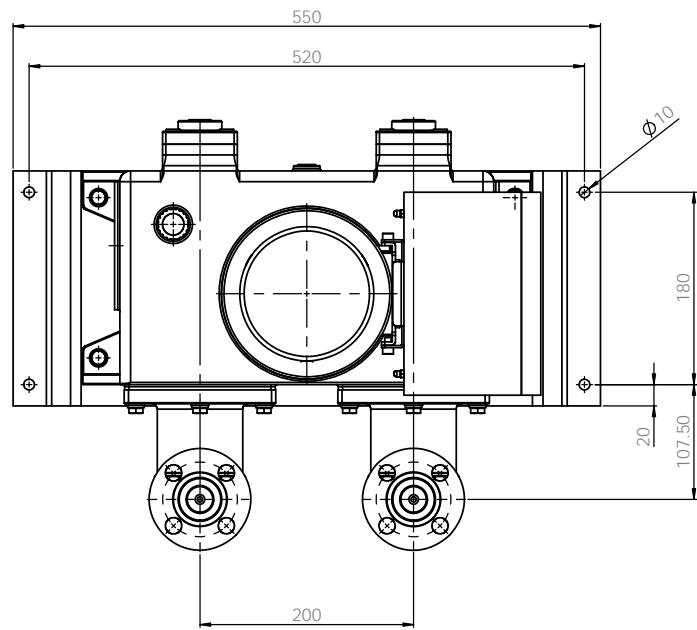
REVISIONS				SCALE AND DIMENSIONS		REVISION	
NO.	DATE	BY	CHKD.	SCALE	UNIT	NO.	DESCRIPTION
1	2020.02.21					1	INITIAL
2	2020.02.21					2	REVISED
3	2020.02.21					3	REVISED
4	2020.02.21					4	REVISED
5	2020.02.21					5	REVISED
6	2020.02.21					6	REVISED
7	2020.02.21					7	REVISED
8	2020.02.21					8	REVISED
9	2020.02.21					9	REVISED
10	2020.02.21					10	REVISED
11	2020.02.21					11	REVISED
12	2020.02.21					12	REVISED
13	2020.02.21					13	REVISED
14	2020.02.21					14	REVISED
15	2020.02.21					15	REVISED
16	2020.02.21					16	REVISED

MATERIAL				SCALE AND DIMENSIONS		REVISION	
PTFE				SCALE 1:1		E-WHA CHEMICAL FEEDER CO., LTD.	
PART NO.				SCALE AND DIMENSIONS		REVISION	
AC1004B1006A				SCALE 1:1		E-WHA CHEMICAL FEEDER CO., LTD.	
MATERIAL				SCALE AND DIMENSIONS		REVISION	
PTFE				SCALE 1:1		E-WHA CHEMICAL FEEDER CO., LTD.	
PART NO.				SCALE AND DIMENSIONS		REVISION	
AC1004B1006A				SCALE 1:1		E-WHA CHEMICAL FEEDER CO., LTD.	



Note
 1. Model : GVMD200
 2. Material : Stainless steel
 3. Connection : Hose

REVISIONS				SCALE AND BREAK SHARP EDGES		DO NOT SCALE DRAWING		REVISION	
NO.	DATE	BY	REASON						
1	2024.02.21								
2	2024.02.21								
3	2024.02.21								
MATERIAL				SUS304		DRAWING NO.		AC1201B1005A	
SCALE 1:1				SHEET 1 OF 1		E-WHA CHEMICAL FEEDER CO., LTD.			
DRAWN: W. PARK				DATE: 2024.02.21		TITLE: PUMP ASSEMBLY-DIM			
CHECK: W. PARK				DATE: 2024.02.21		GVMD200S4S4H-H06			
APPROVED: S.C. KIM				DATE: 2024.02.21					
MATERIAL: SUS304				DRAWING NO.: AC1201B1005A		A1			



Note
 1. Model : *GVMD200*
 2. Material : *Stainless steel*
 3. Connection : *Flange*

ALL DIMENSIONS SPECIFIED UNLESS OTHERWISE SPECIFIED DIMENSIONS ARE IN MILLIMETERS TOLERANCES: FINISH: ANGULAR		FINISH: BRASS AND BRASS SHARP POLISH	DO NOT SCALE DRAWING REVISION
DRAWN: W. PAK CHECK: W. PAK APPROV: S.C. KHA DATE: 2020.02.21 2020.02.21 2020.02.22	MODEL: GVMD200 DATE: 2020.02.21	MATERIAL: SUS304	E-WHA CHEMICAL FEEDER CO., LTD. PUMP ASSEMBLY-DIM GVMD200S4S4F-KS 10K 15A FF AC1201B1006A
SCALE: 1:1		SHEET: 1 OF 1	A1