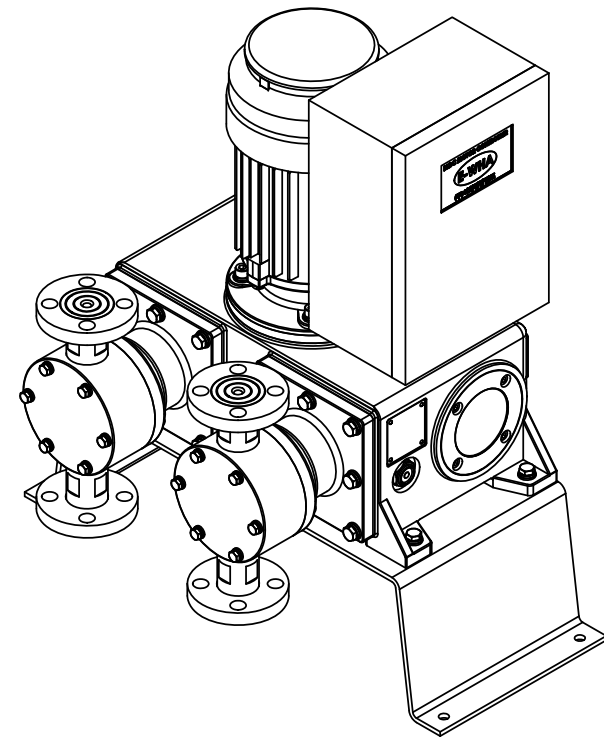
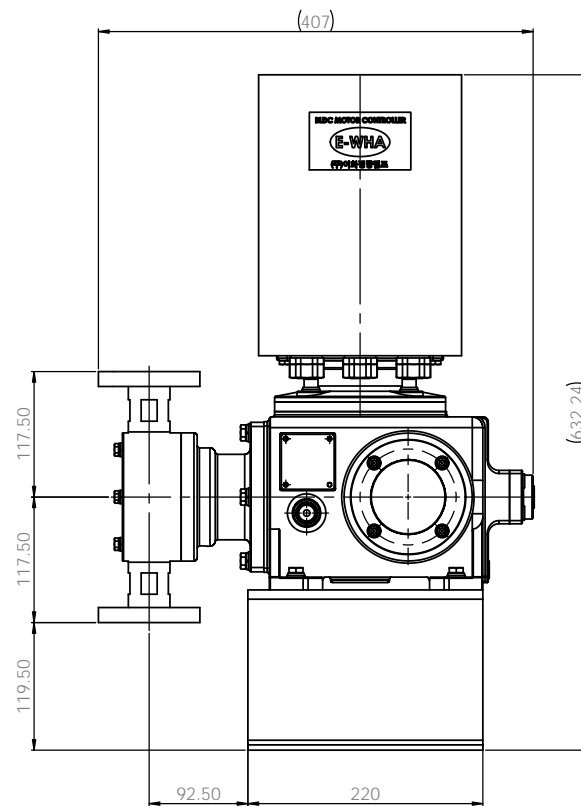
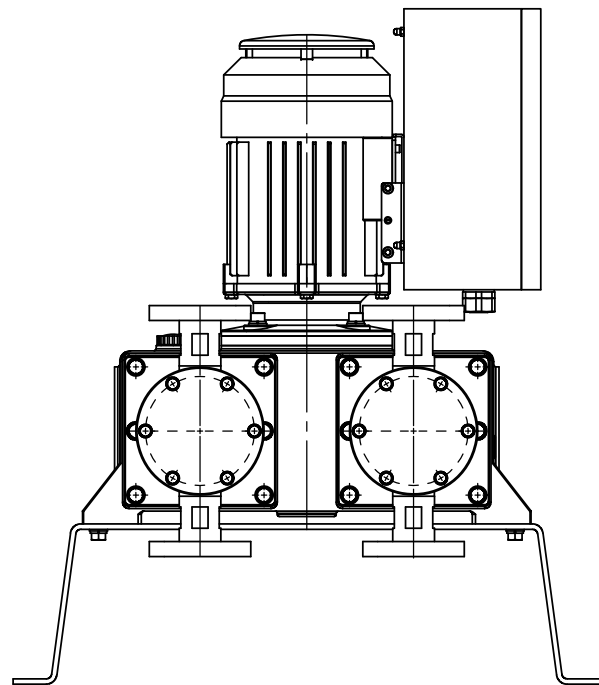
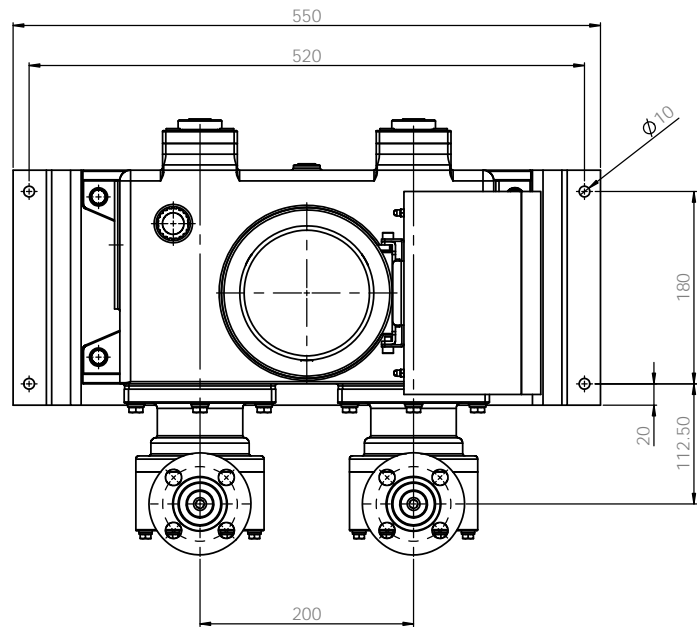


**Note**  
 1. Model : *GVMD2000*  
 2. Material : *PP / PVdF*  
 3. Connection : *Hose*

ALL DIMENSIONS SPECIFIED UNLESS OTHERWISE SPECIFIED DIMENSIONS ARE IN MILLIMETERS UNLESS INDICATED OTHERWISE				SCALE AND BREAK SHARP EDGES		DO NOT SCALE DRAWING		REVISION	
DRAWN : W. PAK				DATE : 2020.02.21		TITLE :		E-WHA CHEMICAL FEEDER CO., LTD.	
CHECKED : W. PAK				DATE : 2020.02.21		PUMP ASSEMBLY-DIM		A1	
APPROVED : S.C. KHA				DATE : 2020.02.22		GVMD2000PCH-H10		AC1000B1011A	
DESIGNED :				DATE :		MATERIAL :		PVC	
DRAWING NO. :				DATE :		MATERIAL :		PVC	
SCALE : 1:1				DATE :		MATERIAL :		PVC	
SHEET :				DATE :		MATERIAL :		PVC	



**Note**  
 1. Model : *GVMD2000*  
 2. Material : *PP / PVdF*  
 3. Connection : *Flange*

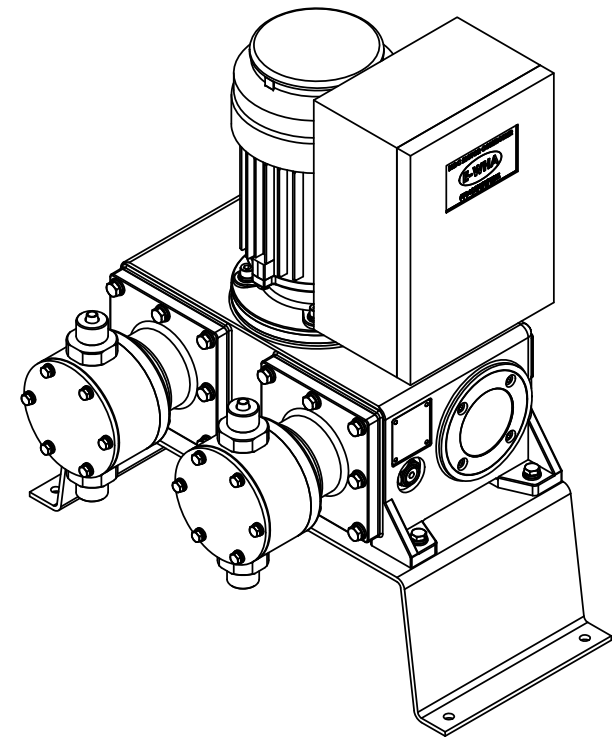
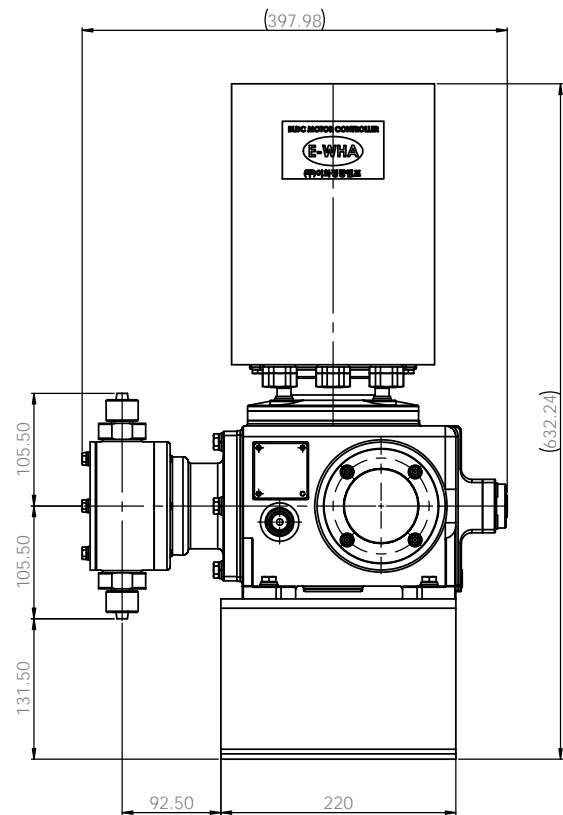
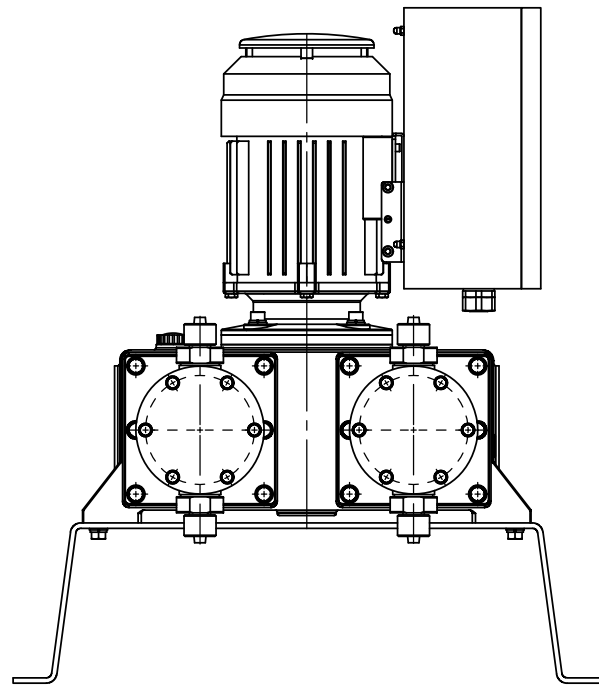
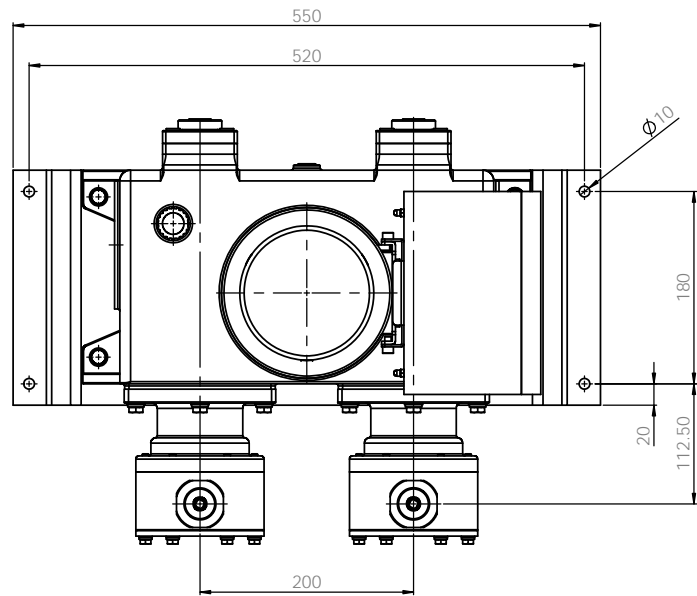
REVISIONS				SCALE AND BREAK SHARP EDGES		DO NOT SCALE DRAWING		REVISION	
NO.	DATE	BY	CHKD.	SCALE	BREAK	SCALE	REVISION	NO.	DESCRIPTION
1	2020.02.21								
2	2020.02.21								
3	2020.02.21								
MATERIAL				PVC		E-WHA		AC1000B1012A	
SCALE				SCALE 1:1		SHEET 1 OF 1			

E-WHA CHEMICAL FEEDER CO., LTD.

PUMP ASSEMBLY-DIM  
 GVMD2000PCF-KS 10K 15A FF

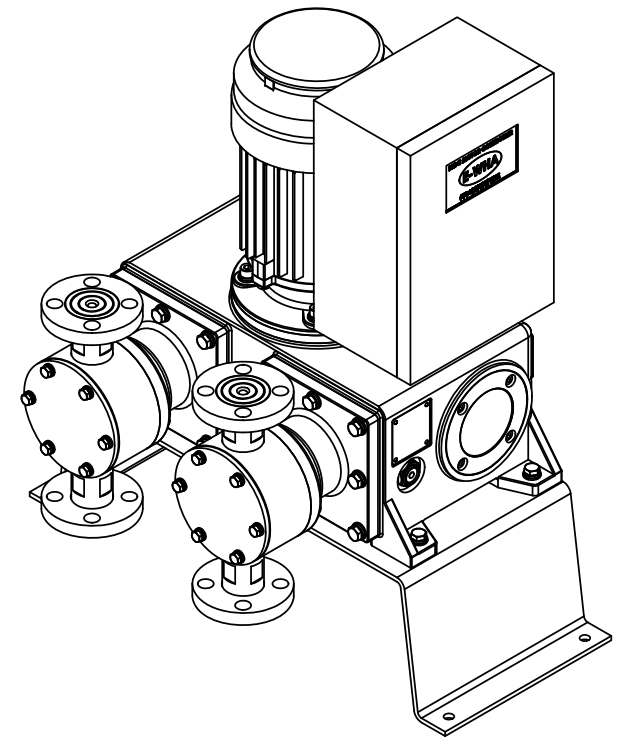
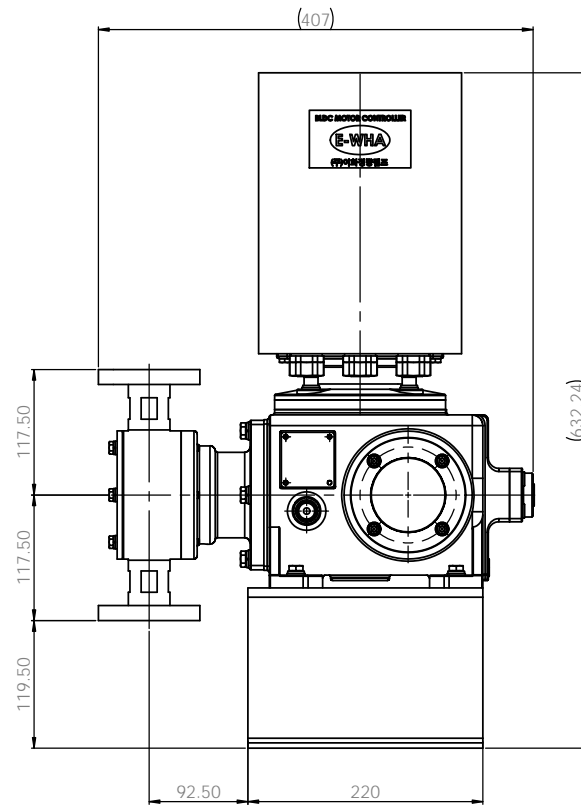
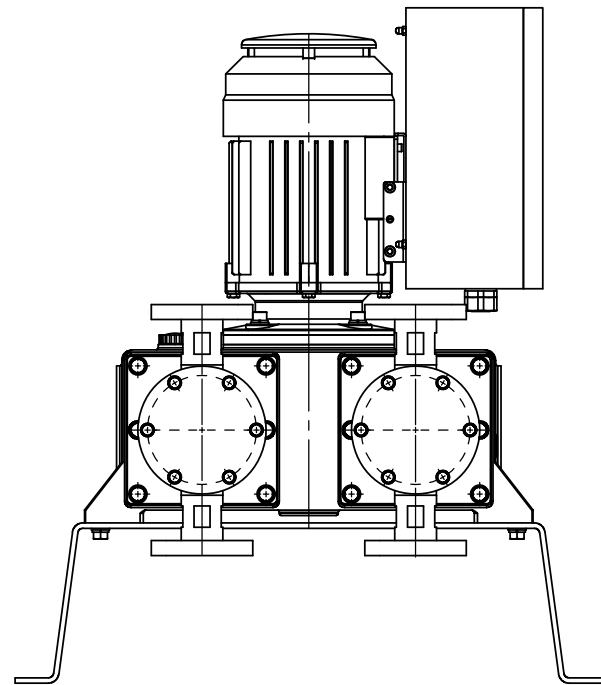
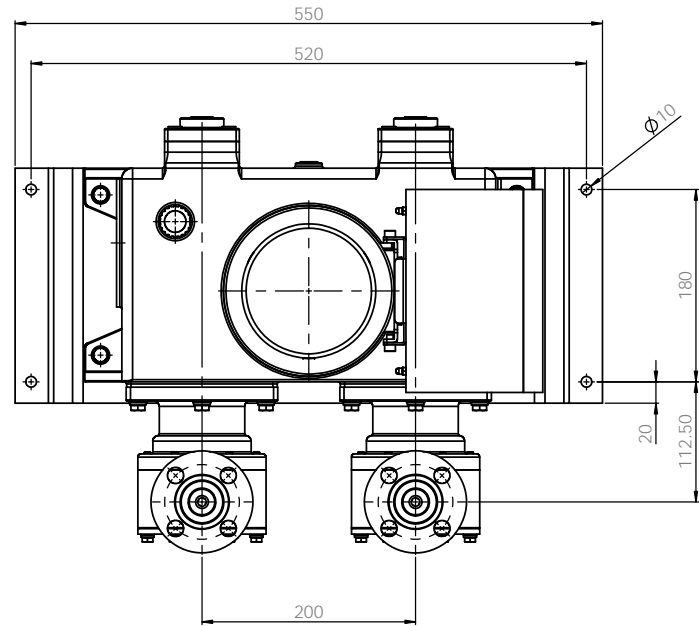
AC1000B1012A

A1



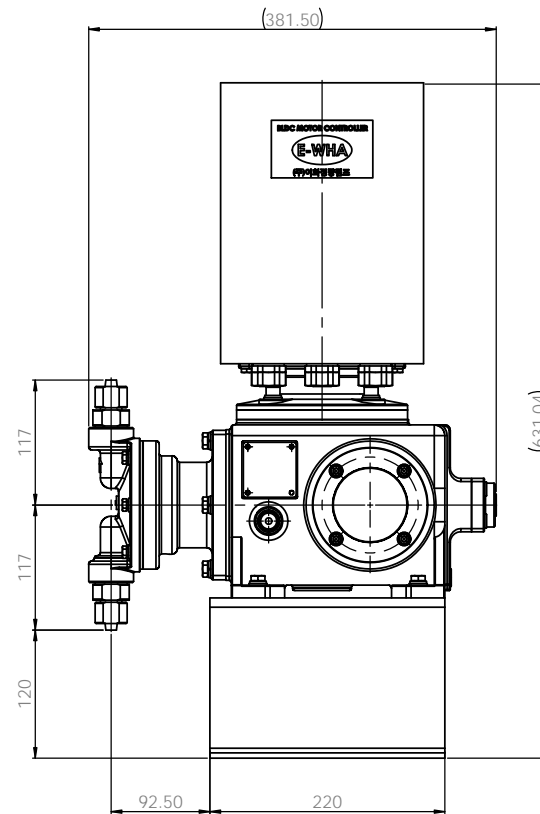
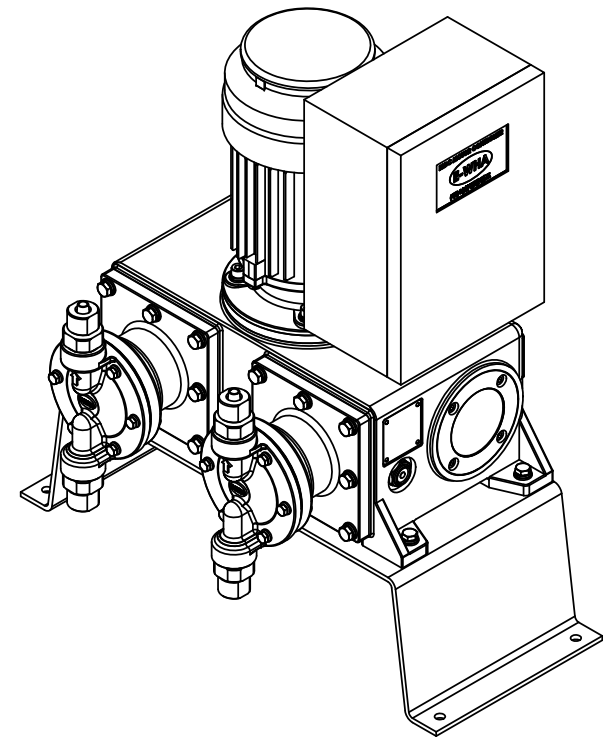
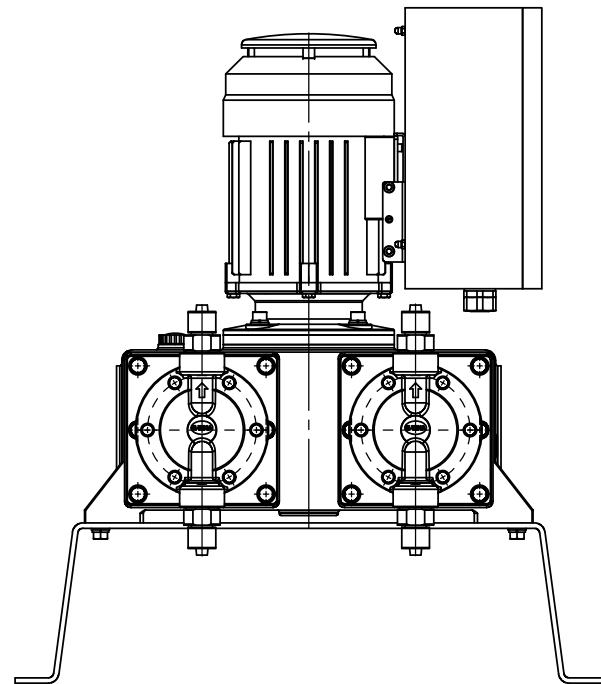
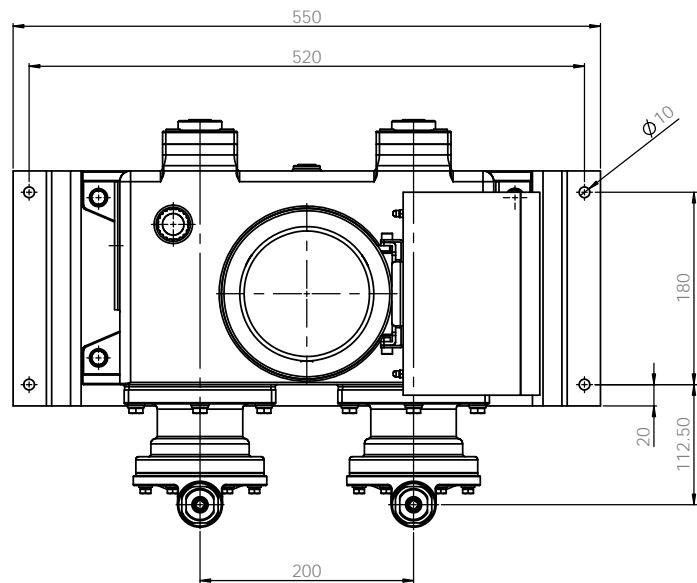
**Note**  
 1. Model : GVMD2000  
 2. Material : PTFE  
 3. Connection : Hose

ALL DIMENSIONS SPECIFIED UNLESS OTHERWISE SPECIFIED DIMENSIONS ARE IN MILLIMETERS				SCALE AND BREAK SHARP EDGES		DO NOT SCALE DRAWING		REVISION
TOLERANCES UNLESS OTHERWISE SPECIFIED				FINISH		E-WHA CHEMICAL FEEDER CO., LTD.		DATE
FINISH	SCALE	REVISION	DATE	DATE	DATE	DATE	DATE	DATE
DRAWN	W. PARK	2020.02.21						
CHECK	W. PARK	2020.02.21						
APPROV	S.C. KIM	2020.02.21						
DATE								
MATERIAL				PTFE		E-WHA		AC1004B1011A
SCALE 1:1				SHEET 1 OF 1				A1



**Note**  
 1. Model : *GVMD2000*  
 2. Material : *PTFE*  
 3. Connection : *Flange*

ALL DIMENSIONS SPECIFIED UNLESS OTHERWISE SPECIFIED DIMENSIONS ARE IN MILLIMETERS UNLESS OTHERWISE SPECIFIED				SCALE AND BREAK SHARP EDGES		DO NOT SCALE DRAWING		REVISION
DRAWN: W. PARK				DATE: 2020.02.21			E-WHA CHEMICAL FEEDER CO., LTD.	
CHECKED: W. PARK				DATE: 2020.02.21			ITEM: PUMP ASSEMBLY-DIM	
APPROVED: S.C. KIM				DATE: 2020.02.21			GVMD2000TCF-KS 10K 15A FF	
MATERIAL: PTFE				ITEM NO: AC1004B1012A		A1		
SCALE: 1:1				SHEET: 1 OF 1				



**Note**  
 1. Model : GVMD2000  
 2. Material : Stainless steel  
 3. Connection : Hose

REVISIONS				SCALE AND BLOCK SHARP EDGES		DO NOT SCALE DRAWING		REVISION	
NO.	DATE	BY	CHKD	SCALE	UNIT				
01	2020.02.21								
02	2020.02.21								
03	2020.02.21								
E-WHA				SUS304		AC1201B1011A		A1	

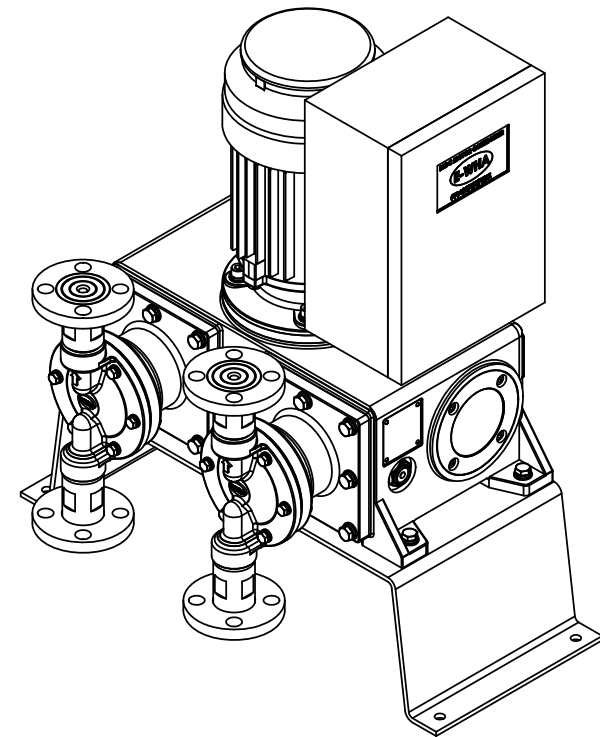
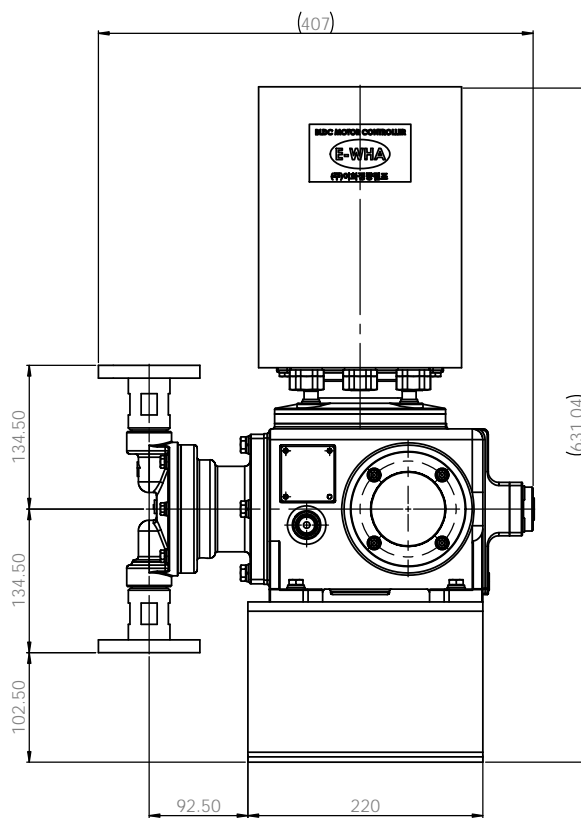
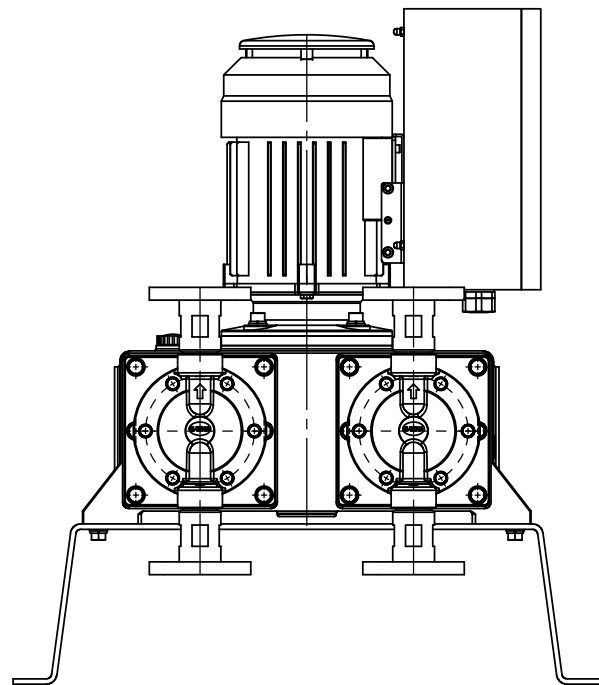
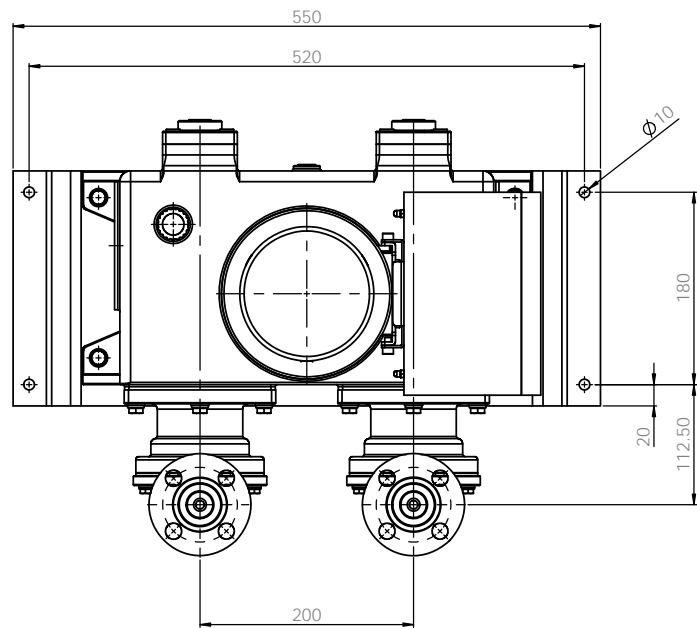
E-WHA CHEMICAL FEEDER CO., LTD.

PUMP ASSEMBLY-DIM  
 GVMD2000S4S4H-H10

SUS304

AC1201B1011A

A1



**Note**  
 1. Model : *GVMD2000*  
 2. Material : *Stainless steel*  
 3. Connection : *Flange*

ALL DIMENSIONS SPECIFIED UNLESS OTHERWISE SPECIFIED DIMENSIONS ARE IN MILLIMETERS TOLERANCES: FINISH: ANGULAR		FINISH: BRASS AND BRASS SHARP POLISH	DO NOT SCALE DRAWING REVISION
DRAWN: W. PARK CHECK: W. PARK APPROV: S.C. KAP DATE: 2020.02.21 DATE: 2020.02.21 DATE: 2020.02.21	MODEL: GVM2000S DATE: 2020.02.21	MATERIAL: SUS304	E-WHA CHEMICAL FEEDER CO., LTD. TITLE: PUMP ASSEMBLY-DIM GVM2000S4S4F-KS 10K 15A FF DWG NO: AC1201B1012A SCALE: 1:1 SHEET 1 OF 1