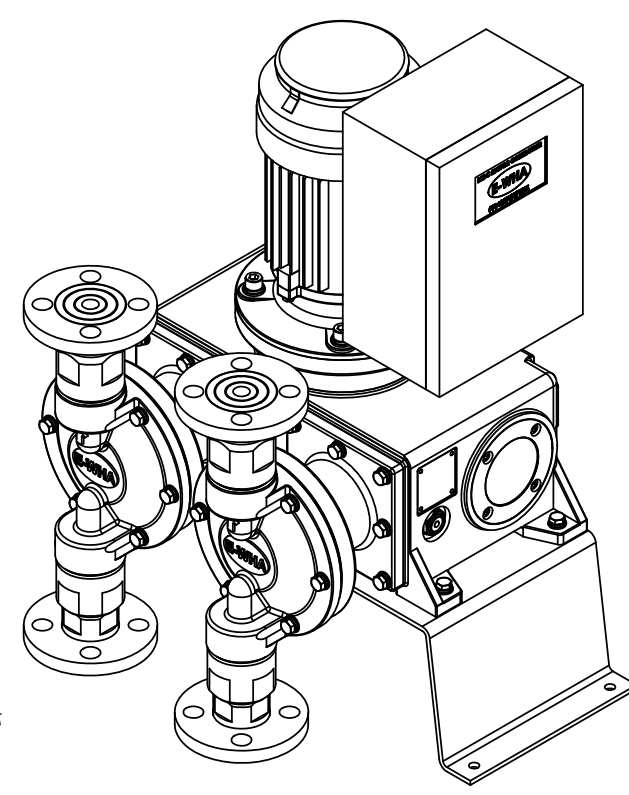
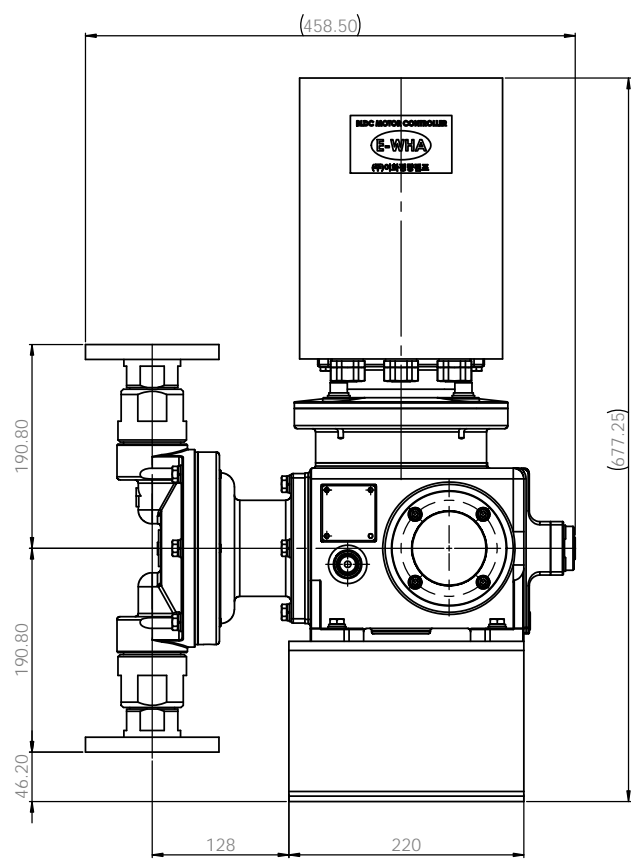
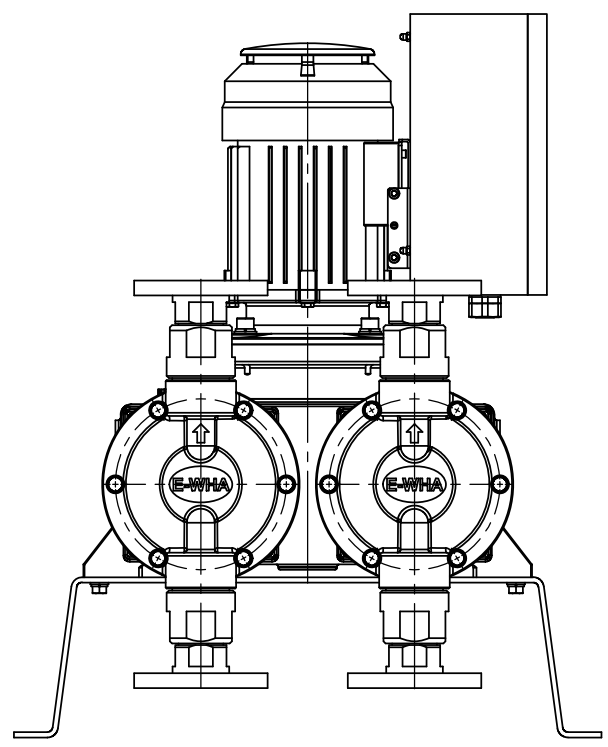
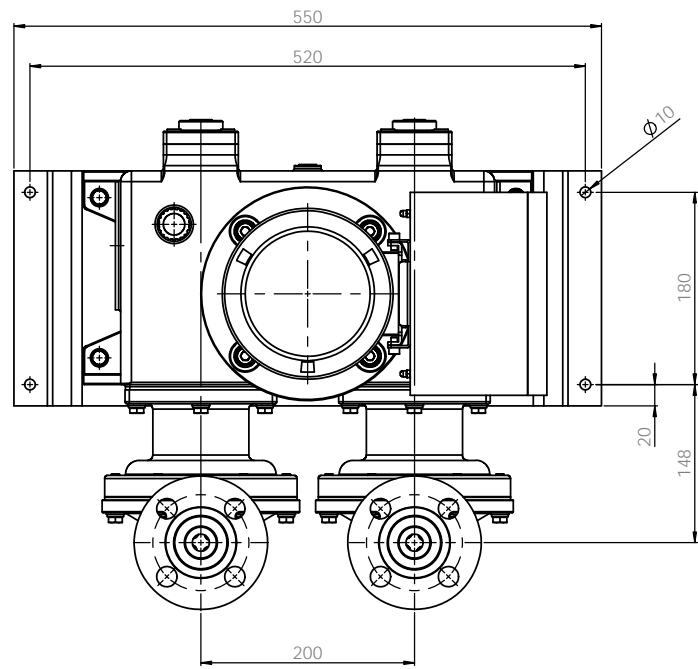


Note
 1. Model : *GVMD20L*
 2. Material : *PP / PVdF*
 3. Connection : *Flange*

REVISIONS				REVISION	
NO.	DATE	DESCRIPTION	BY	CHKD	APPRD
01	2020.02.21	INITIAL DESIGN			
02	2020.02.21	REVISED			
03	2020.02.22	REVISED			
04					
05					
06					
07					
08					
09					
10					
11					
12					
13					
14					
15					
16					

MATERIAL		SCALE		SHEET	
PVC	AC1000B1026A	SCALE 1:1	SHEET 1 OF 1		



Note
 1. Model : GVMD20L
 2. Material : Stainless steel
 3. Connection : Flange

ALL DIMENSIONS SPECIFIED UNLESS OTHERWISE SPECIFIED DIMENSIONS ARE IN MILLIMETERS UNLESS INDICATED OTHERWISE				FINISH BRASS GRAB POLISH		DO NOT SCALE DRAWING		REVISION	
TOLERANCES HOLE ±0.05 ANGULAR				SCALE AND BRASS GRAB POLISH		E-WHA CHEMICAL FEEDER CO., LTD.		DATE	
DATE	DATE	DATE	DATE	DATE	DATE	DATE	DATE	DATE	DATE
DRW	CHK	APP	DES	REV	REV	REV	REV	REV	REV
2020.02.21	2020.02.21	2020.02.21	2020.02.21	2020.02.21	2020.02.21	2020.02.21	2020.02.21	2020.02.21	2020.02.21
W. PAK	S.C. KHA								
MATERIAL SUS304				SERIAL NO. AC1201B1026A		PART NO. PUMP ASSEMBLY-DIM GVMD20LS4S4F-KS 10K 25A FF		SHEET NO. A1	
SCALE 1:1				SHEET 1 OF 1		SCALE 1:1		SHEET 1 OF 1	