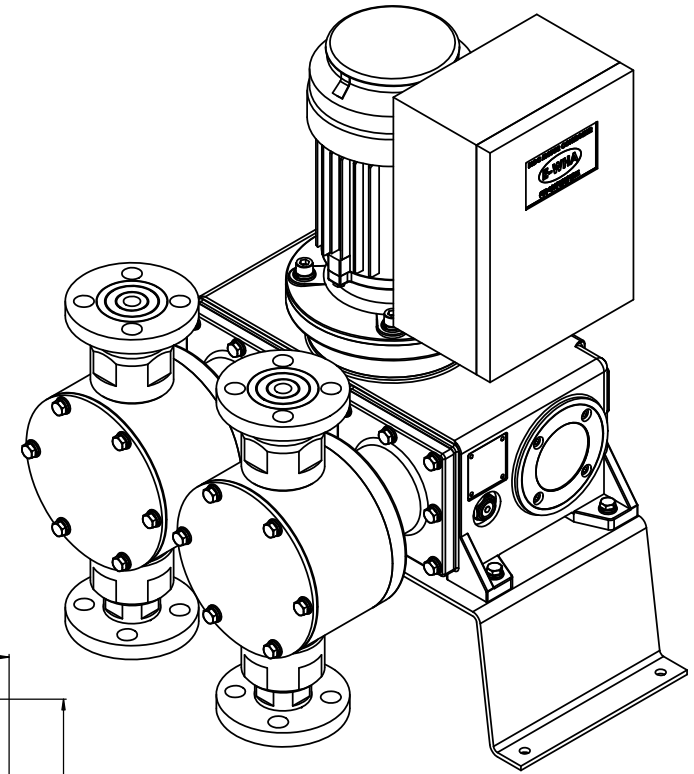
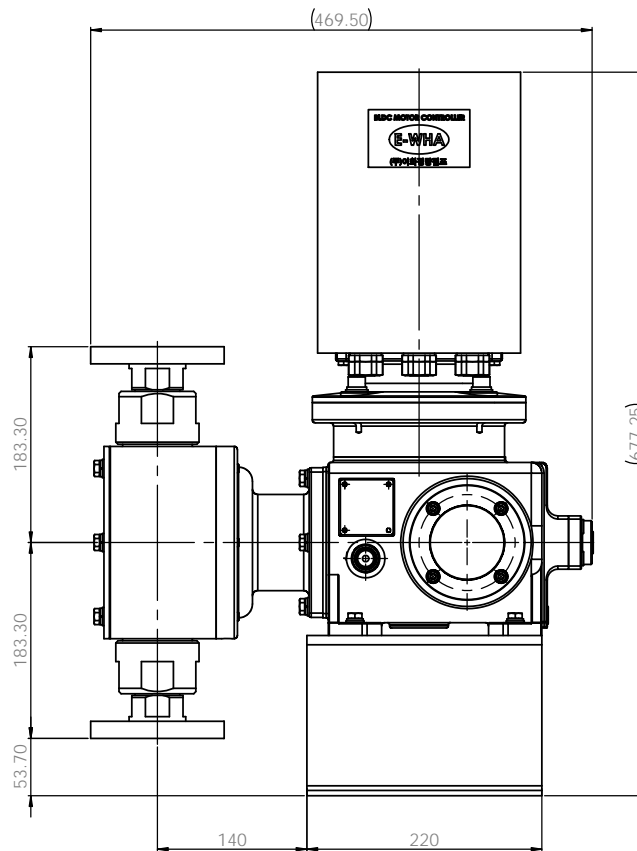
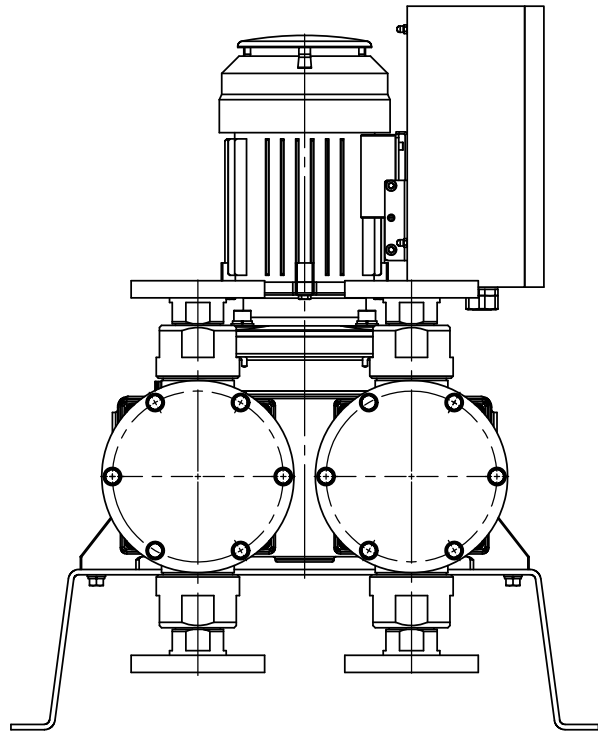
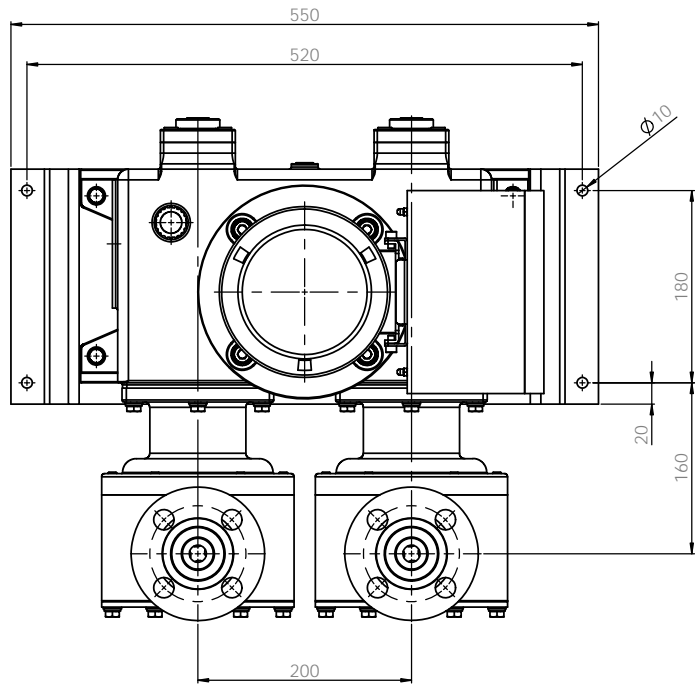


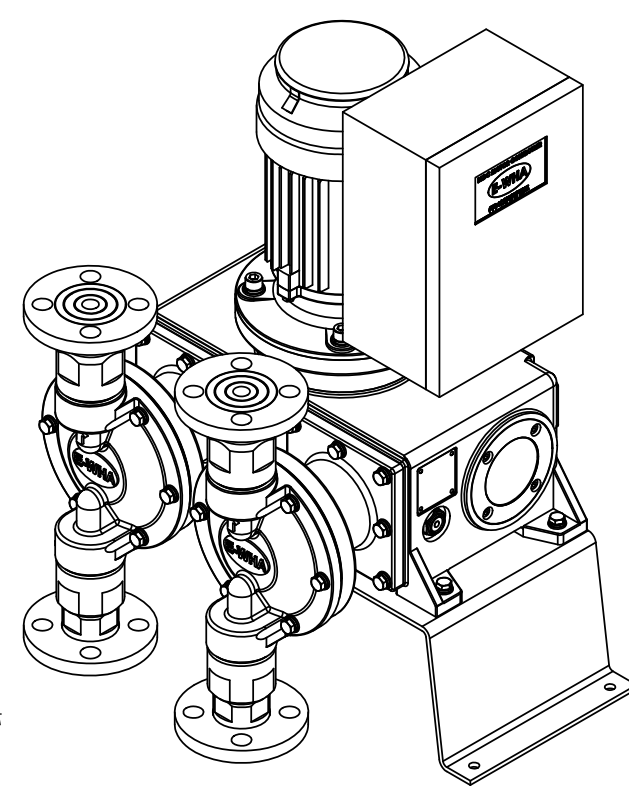
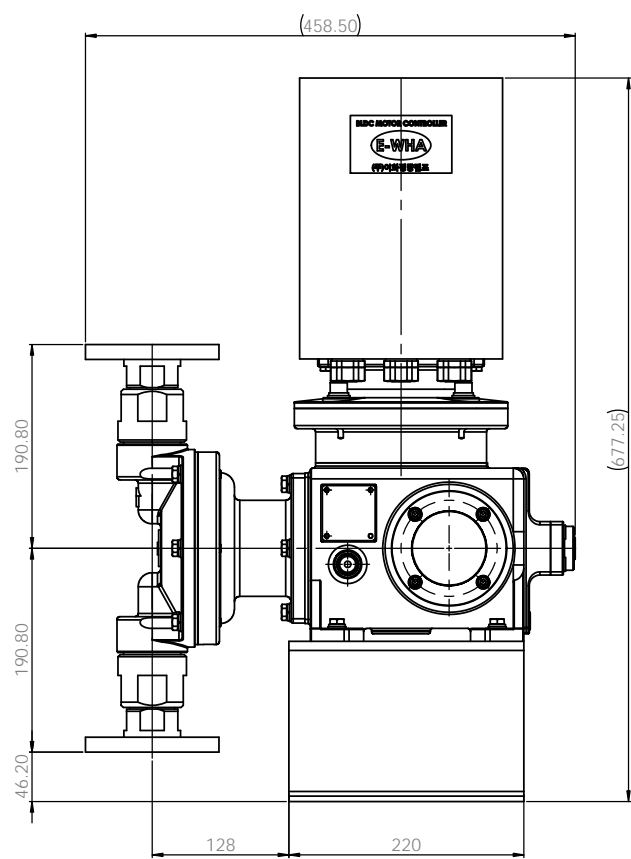
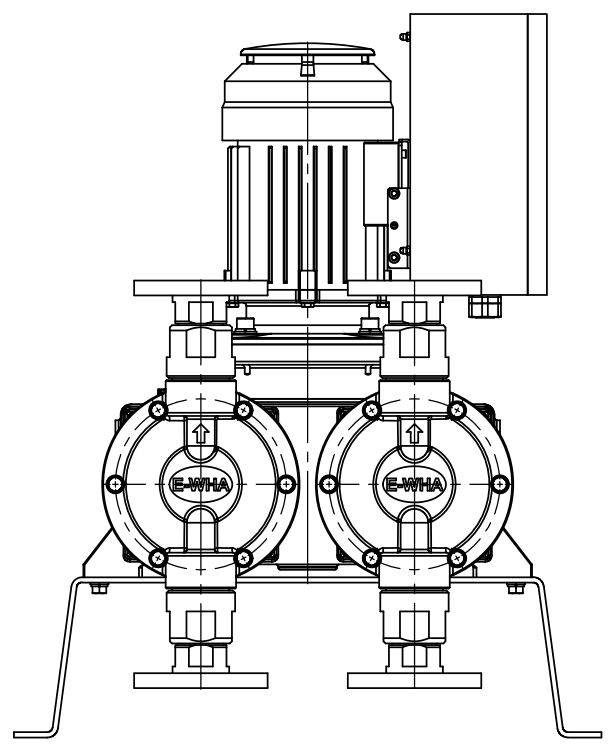
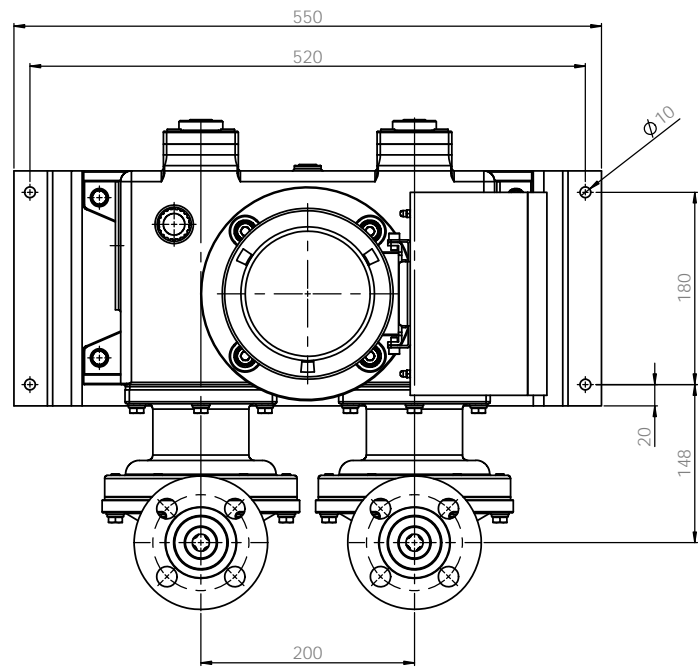
**Note**  
 1. Model : **GVMD28L**  
 2. Material : **PP / PVdF**  
 3. Connection : **Flange**

REVISIONS				REVISION	
NO.	DATE	BY	REVISION		
01	2024.02.21				
02	2024.02.21				
03	2024.02.21				
ALL DIMENSIONS SPECIFIED UNLESS OTHERWISE SPECIFIED DIMENSIONS ARE IN MILLIMETERS TOLERANCES: FINISH: ANGULAR				DO NOT SCALE DRAWING	
TITLE <b>PUMP ASSEMBLY-DIM</b> <b>GVMD28LPCF-KS 10K 25A FF</b>				<b>E-WHA CHEMICAL FEEDER CO., LTD.</b>	
DRAWN: W. PARK CHECK: W. PARK APPROV: S.C. KIM DATE: 2024.02.21				MATERIAL: <b>PVC</b> SPEC. NO.: <b>AC1000B1028A</b>	
SHEET NO.: 1 OF 1				SCALE: 1:1	



**Note**  
 1. Model : **GVMD28L**  
 2. Material : **PTFE**  
 3. Connection : **Flange**

ALL DIMENSIONS SPECIFIED UNLESS OTHERWISE NOTED DIMENSIONS ARE IN MILLIMETERS				FINISH		EDGE AND BREAK SHARP ENDS		DO NOT SCALE DRAWING		REVISION	
TOLERANCES UNLESS OTHERWISE SPECIFIED				SURFACE		TEXT		DATE		BY	
LINEAR				ANGULAR		DIMENSIONS		DRAWN		CHECKED	
±0.1	±0.05	±0.02	±0.01	±0.5°	±0.1°	±0.1	±0.05	W. PARK	2024.02.21		
±0.05	±0.02	±0.01	±0.005	±0.2°	±0.1°	±0.05	±0.02	S.C. KIM	2024.02.22		
±0.02	±0.01	±0.005	±0.002	±0.1°	±0.05°	±0.02	±0.01				
±0.01	±0.005	±0.002	±0.001	±0.05°	±0.02°	±0.01	±0.005				
±0.005	±0.002	±0.001	±0.0005	±0.02°	±0.01°	±0.005	±0.002				
MATERIAL				PTFE		DIMENSIONS		AC1004B1028A		A1	
SCALE 1:1				SHEET 1 OF 1		E-WHA CHEMICAL FEEDER CO., LTD.		PUMP ASSEMBLY-DIM		GVMD28LTCF-KS 10K 25A FF	



**Note**  
 1. Model : GVMD28L  
 2. Material : Stainless steel  
 3. Connection : Flange

ALL DIMENSIONS SPECIFIED UNLESS OTHERWISE SPECIFIED DIMENSIONS ARE IN MILLIMETERS UNLESS INDICATED OTHERWISE				FINISH BRASS GRAB POLISH		DO NOT SCALE DRAWING REVISION	
TOLERANCES HORIZONTAL ANGULAR				TOLERANCES HORIZONTAL ANGULAR		REVISION NO. DATE DESCRIPTION	
DATE	BY	CHKD	APPD	MATERIAL		DRAWING NO.	
2020.02.21	W. PAKR	2020.02.21		SUS304		AC1201B1028A	
2020.02.21	W. PAKR	2020.02.21					
2020.02.21	S.C. KHAN	2020.02.21					
2020.02.21	W. PAKR	2020.02.21					
2020.02.21	S.C. KHAN	2020.02.21					
2020.02.21	W. PAKR	2020.02.21					
2020.02.21	S.C. KHAN	2020.02.21					
SCALE 1:1				SHEET 1 OF 1		E-WHA CHEMICAL FEEDER CO., LTD.	
PUMP ASSEMBLY-DIM GVMD28LS4S4F-KS 10K 25A FF				SUS304		AC1201B1028A	