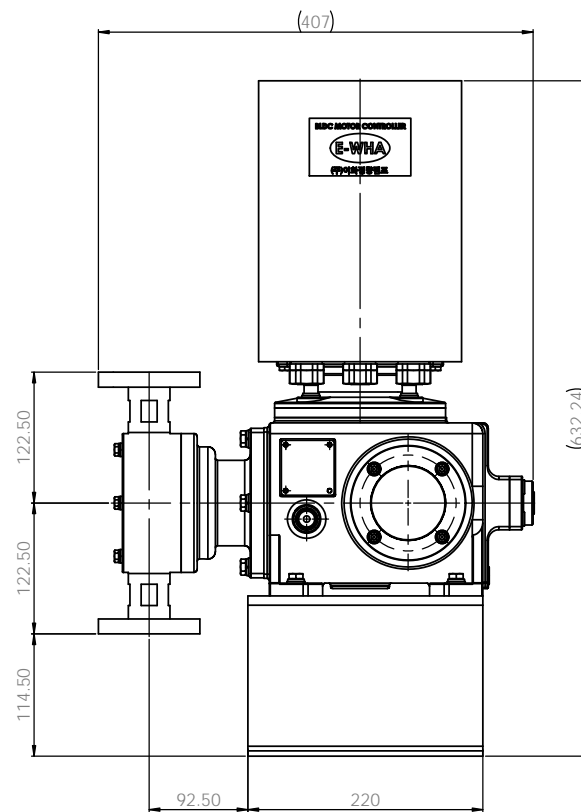
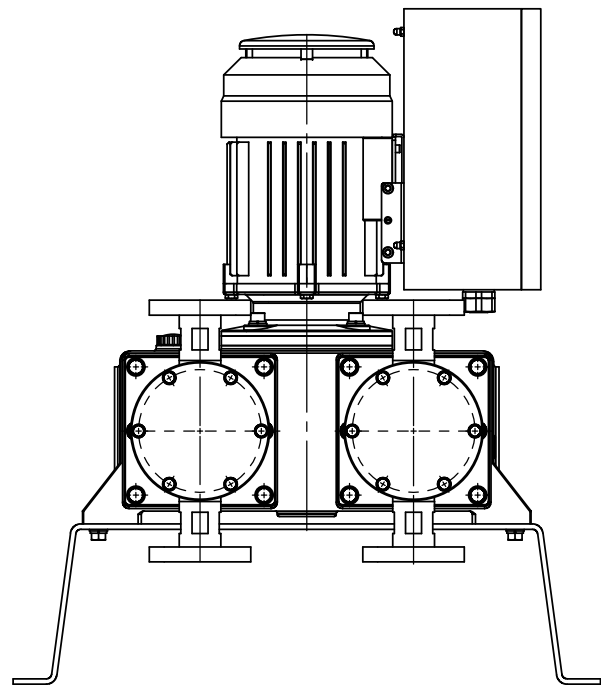
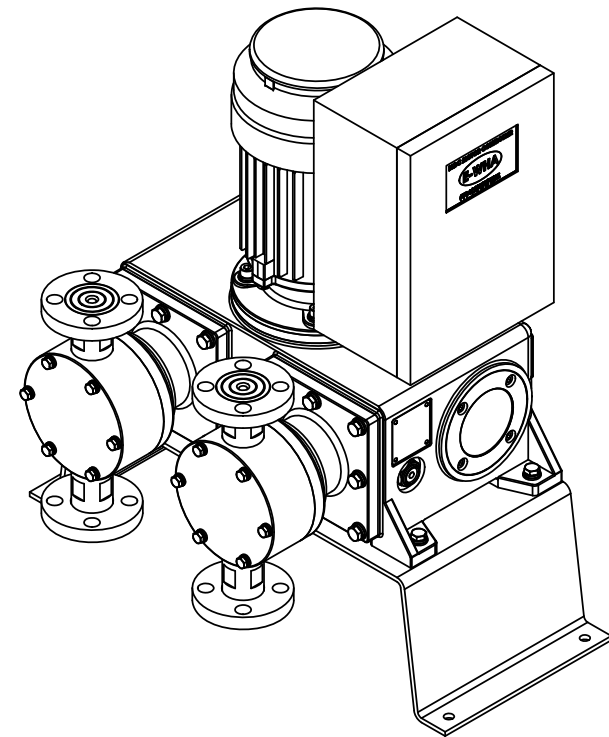
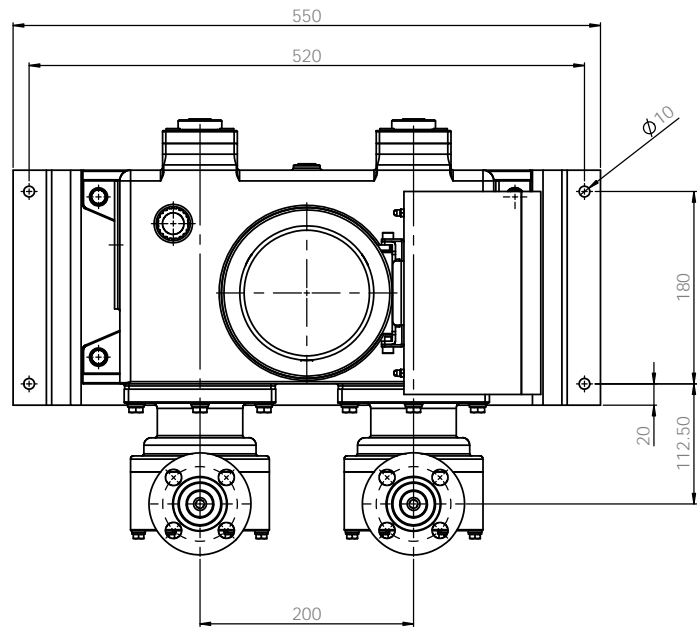


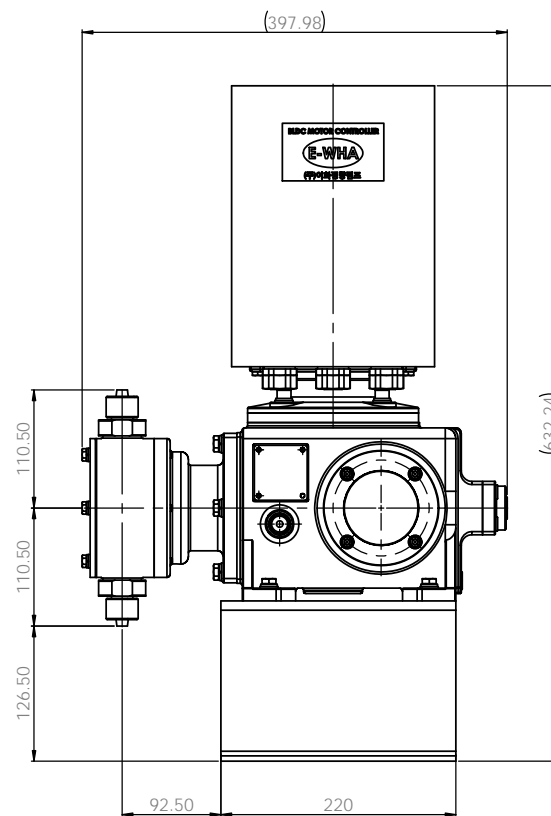
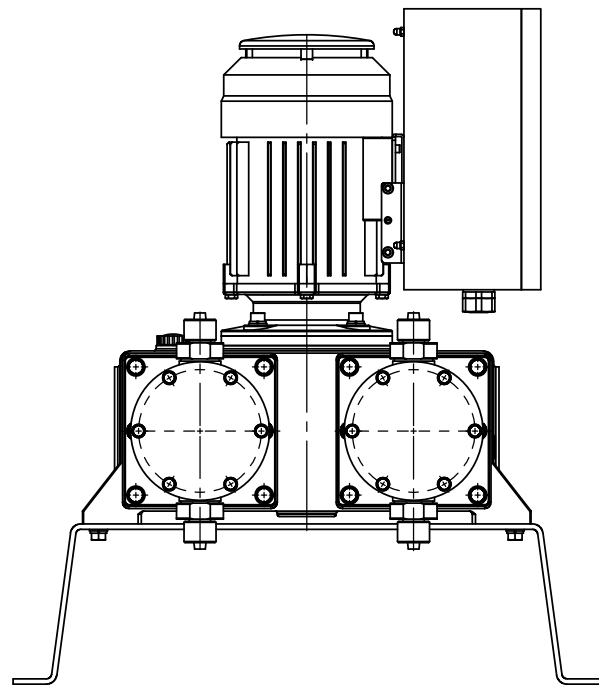
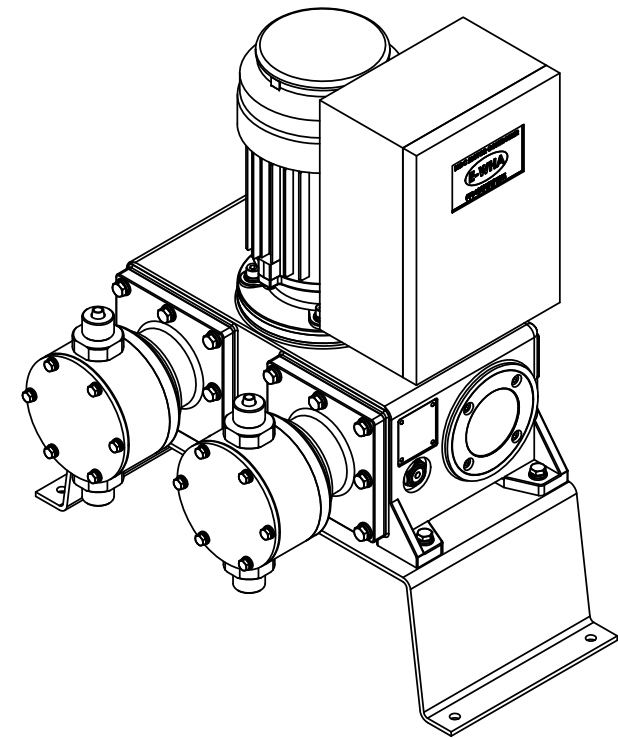
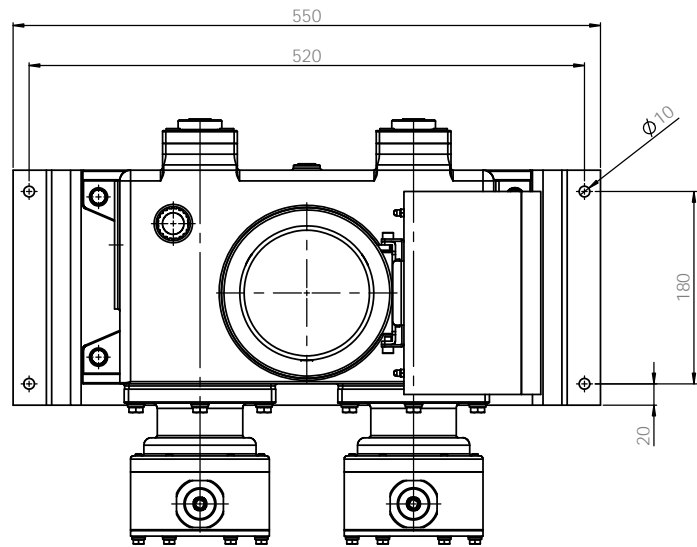
Note
 1. Model : *GVMD4000*
 2. Material : *PP / PVdF*
 3. Connection : *Hose*

REVISIONS				SCALE AND BLOCK SHARP EDGES		DO NOT SCALE DRAWING		REVISION	
NO.	DATE	BY	CHKD	SCALE	UNIT				
1	2020.02.21								
2	2020.02.21								
3	2020.02.21								
E-WHA CHEMICAL FEEDER CO., LTD.				PUMP ASSEMBLY-DIM		GVMD4000PCH-H10		A1	
PVC				AC1000B1013A		SCALE 1:1		SHEET 1 OF 1	



Note
 1. Model : *GVMD4000*
 2. Material : *PP / PVdF*
 3. Connection : *Flange*

REVISIONS				SCALE AND BREAK SHARP EDGES		DO NOT SCALE DRAWING		REVISION	
NO.	DATE	BY	CHKD	SCALE	BREAK	SCALE	REVISION	E-WHA CHEMICAL FEEDER CO., LTD.	
01	2020.02.21	W. PAK						PUMP ASSEMBLY-DIM	
02	2020.02.21	W. PAK						GVMD4000PCF-KS 10K 15A FF	
03	2020.02.21	S.C. KHA						MATERIAL: PVC	
04								DRAWING NO: AC1000B1014A	
				SCALE: 1:1		SHEET: 1 OF 1			



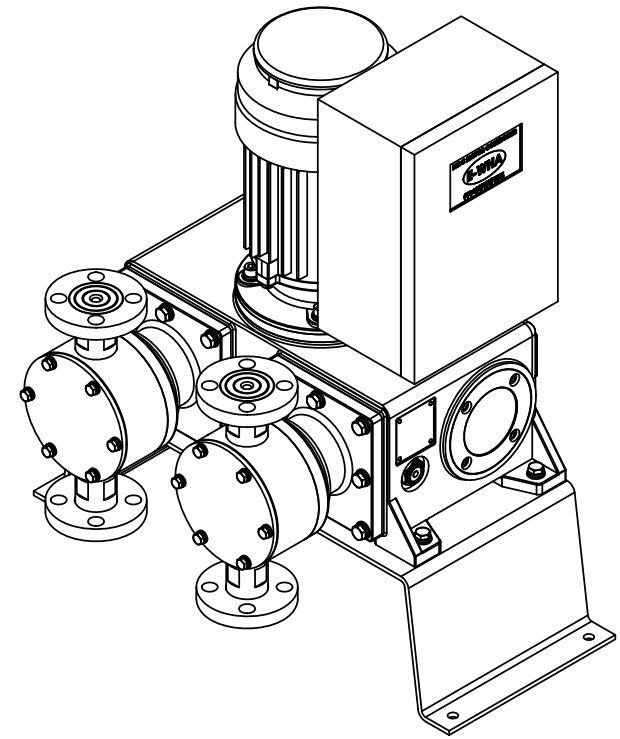
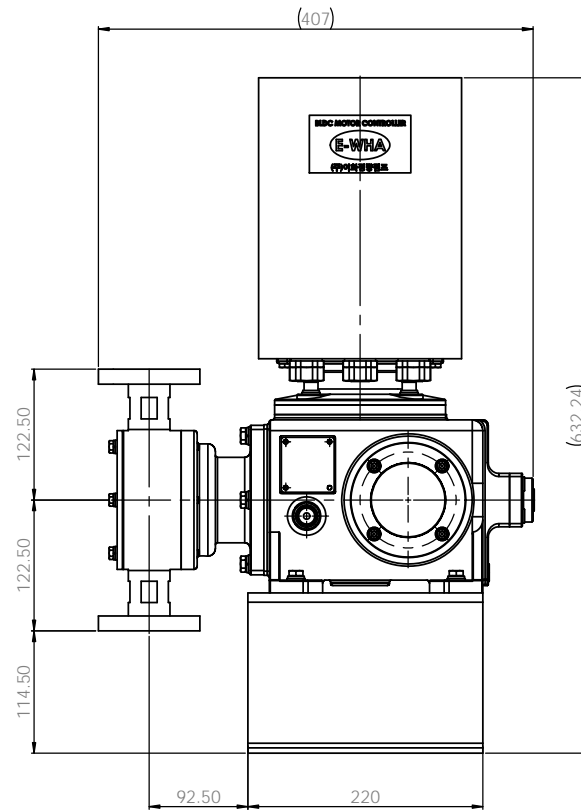
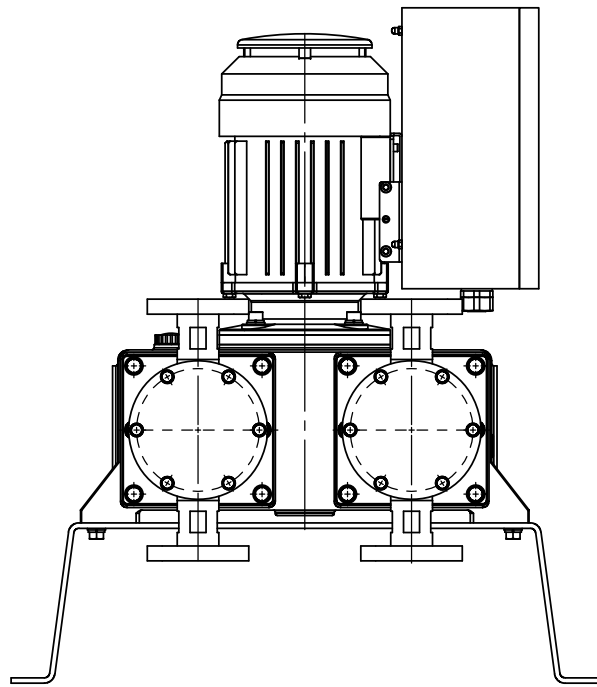
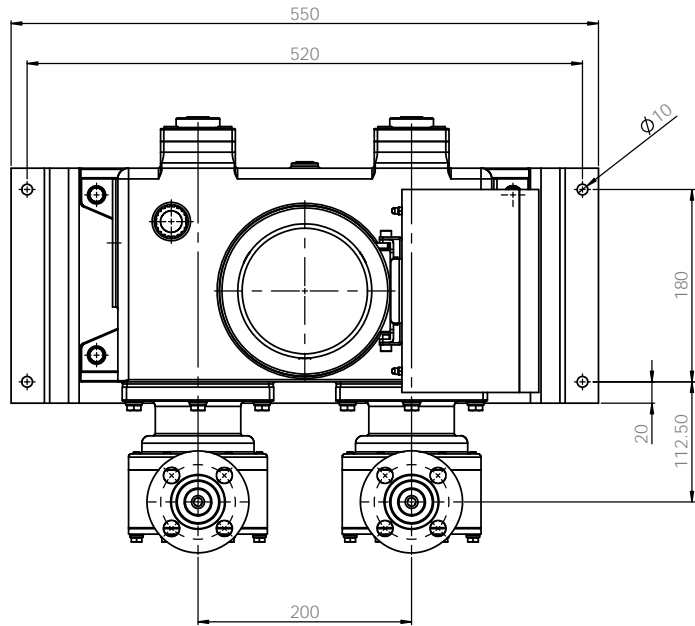
Note
 1. Model : GVMD4000
 2. Material : PTFE
 3. Connection : Hose

REVISIONS				SCALE AND BLOCK SHARP DOTTED		DO NOT SCALE DRAWING		REVISION	
NO.	DATE	BY	REASON	SCALE	BLOCK	SCALE	REVISION	NO.	DESCRIPTION
01	2024.02.21								
02	2024.02.21								
03	2024.02.21								
MATERIAL				SCALE		SHEET		NO.	
PTFE				SCALE 1:1		SHEET 1 OF 1		NO.	

E-WHA CHEMICAL FEEDER CO., LTD.

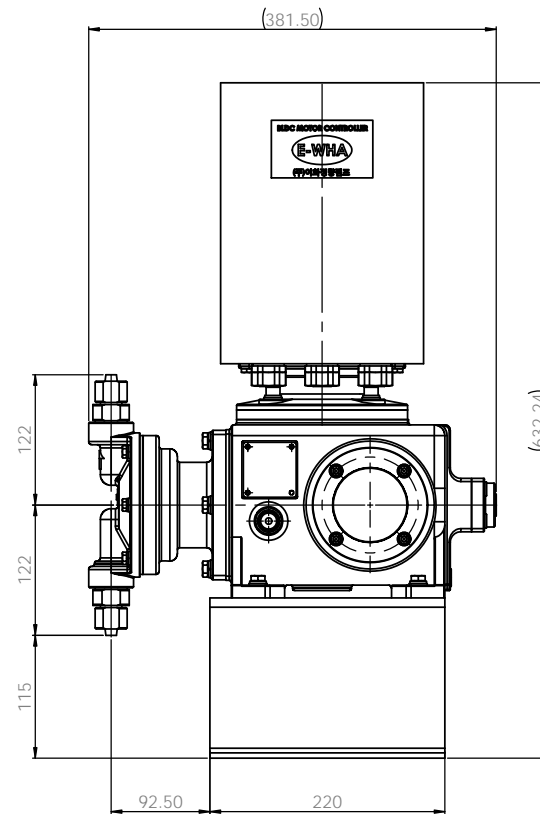
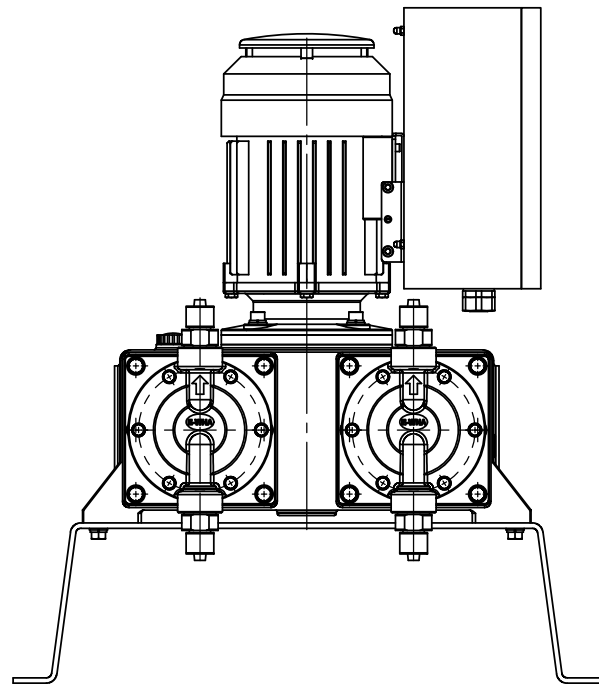
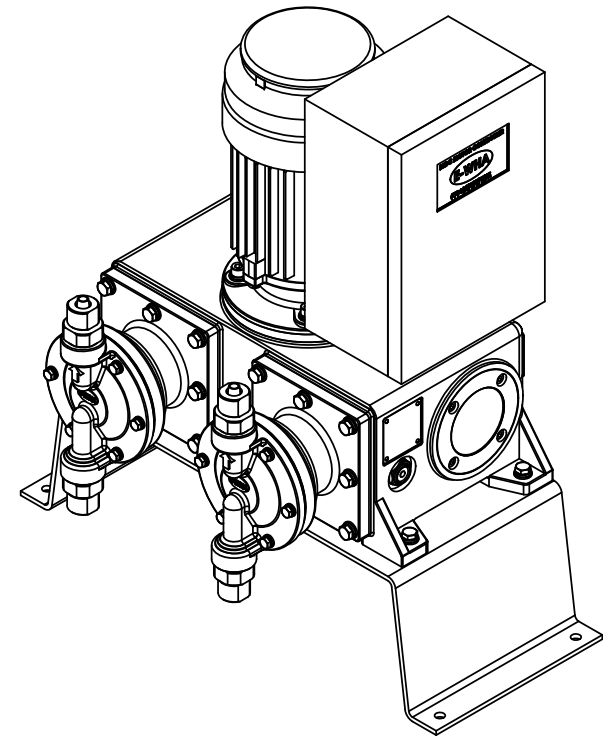
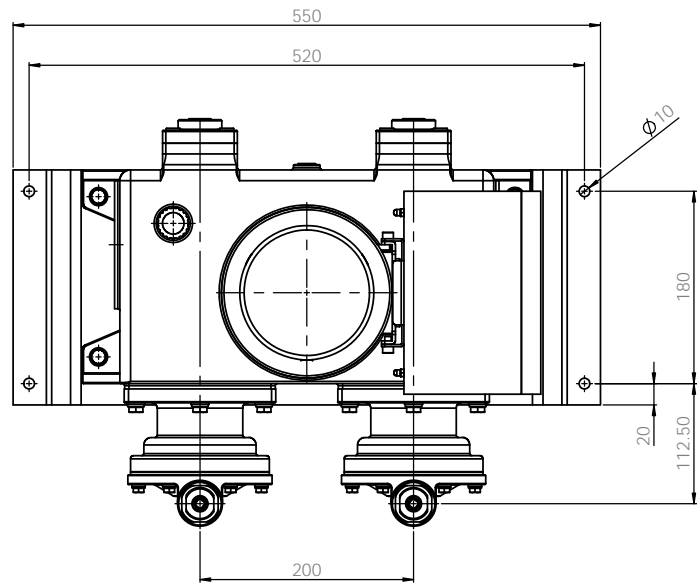
PUMP ASSEMBLY-DIM
 GVMD4000TCH-H10

AC1004B1013A A1



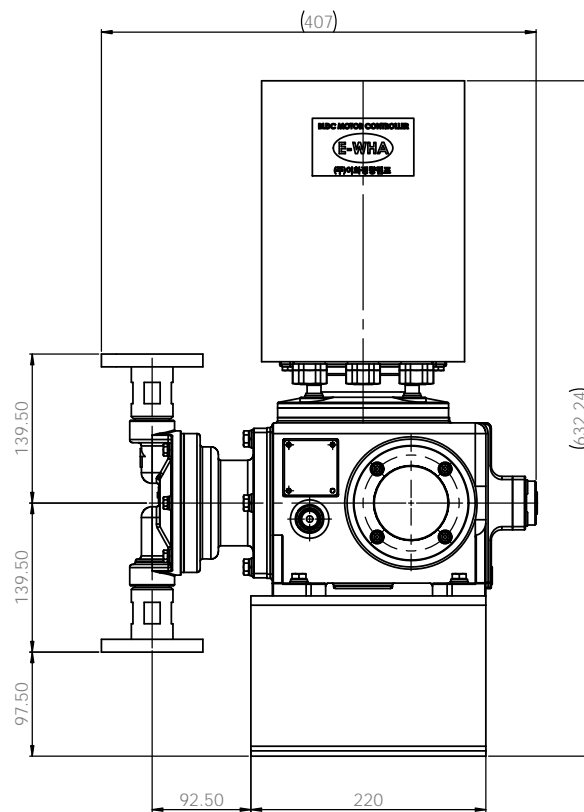
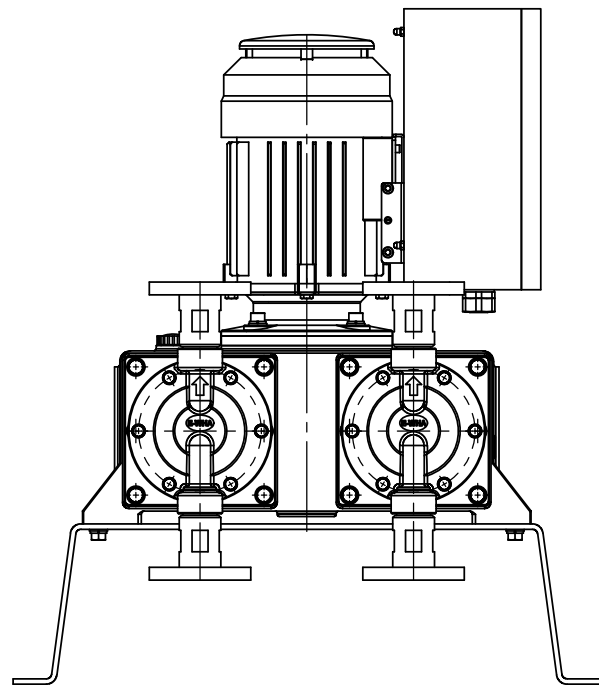
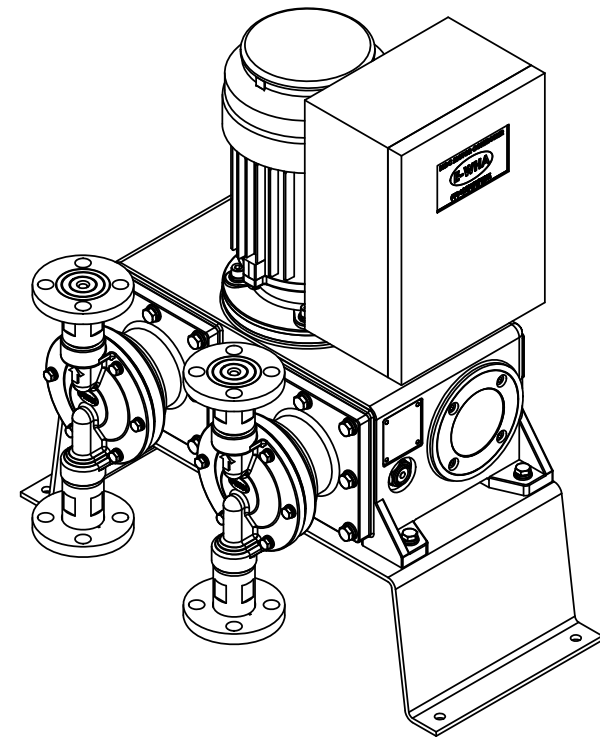
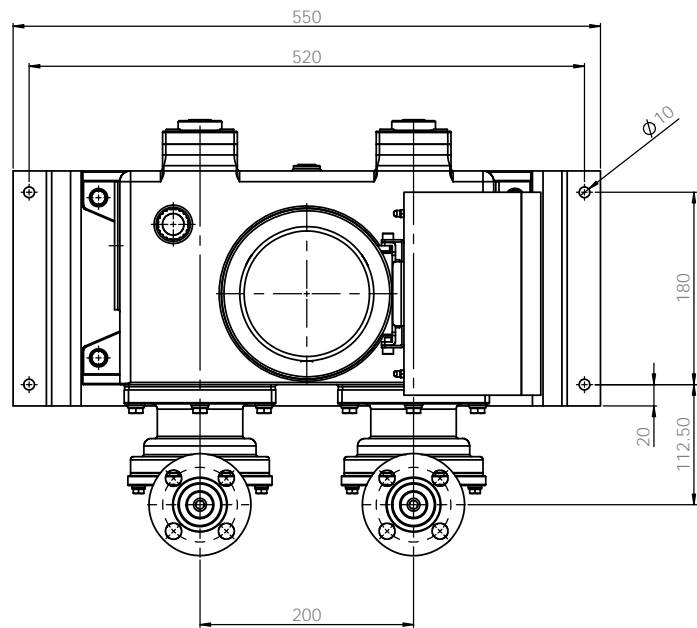
Note
 1. Model : *GVMD4000*
 2. Material : *PTFE*
 3. Connection : *Flange*

ALL DIMENSIONS SPECIFIED UNLESS OTHERWISE SPECIFIED DIMENSIONS ARE IN MILLIMETERS UNLESS INDICATED OTHERWISE				DO NOT SCALE DRAWING		REVISION	
MATERIAL: PTFE				SCALE: 1:1		E-WHA CHEMICAL FEEDER CO., LTD.	
DATE	BY	CHECKED	DATE	DATE	BY	DATE	BY
2020.02.21	W. PARK	2020.02.21					
2020.02.21	W. PARK	2020.02.21					
2020.02.21	S.C. KIM	2020.02.21					
2020.02.21	S.C. KIM	2020.02.21					
DRAWN: W. PARK				TITLE: PUMP ASSEMBLY-DIM			
CHECKED: W. PARK				PART NO: GVMD4000TCF-KS 10K 15A FF			
APPROVED: S.C. KIM				MATERIAL: PTFE			
DATE: 2020.02.21				DRAWING NO: AC1004B1014A			
SCALE: 1:1				SHEET 1 OF 1			



Note
 1. Model : GVMD4000
 2. Material : Stainless steel
 3. Connection : Hose

ALL DIMENSIONS SPECIFIED UNLESS OTHERWISE SPECIFIED DIMENSIONS ARE IN MILLIMETERS TOLERANCES: FINISH: FRAZ ANGULAR:				FINISH: BRUSH AND BEZEL GRASP POLISH	DO NOT SCALE DRAWING REVISION:
DRAWN: W. PAK CHECK: W. PAK APPROV: S.C. KHA DATE: 2020.02.21 DATE: 2020.02.21 DATE: 2020.02.21	DESIGNED: W. PAK DATE: 2020.02.21	E-WHA E-WHA CHEMICAL FEEDER CO., LTD. PUMP ASSEMBLY-DIM GVMD4000S4S4H-H10	MATERIAL: SUS304	DWG NO: AC1201B1013A	A1
SCALE: 1:1				SHEET: 1 OF 1	SHEET: 1 OF 1



Note
 1. Model : *GVMD4000*
 2. Material : *Stainless steel*
 3. Connection : *Flange*

REVISIONS				SCALE AND BLOCK SHARP DOTTI		DO NOT SCALE DRAWING		REVISION	
NO.	DATE	BY	CHKD	SCALE	DATE	NO.	DESCRIPTION		
01	2020.02.21					1			
02	2020.02.21					2			
03	2020.02.21					3			
DRAFTER				DESIGNER		CHECKER		APPROVED	
W. PARK				W. PARK		S.C. KIM			
MATERIAL				SUS304		DRAWING NO.		AC1201B1014A	
SCALE				1:1		SHEET NO.		A1	

E-WHA CHEMICAL FEEDER CO., LTD.

PUMP ASSEMBLY-DIM
 GVMD4000S4S4F-KS 10K 15A FF

SUS304

AC1201B1014A

A1