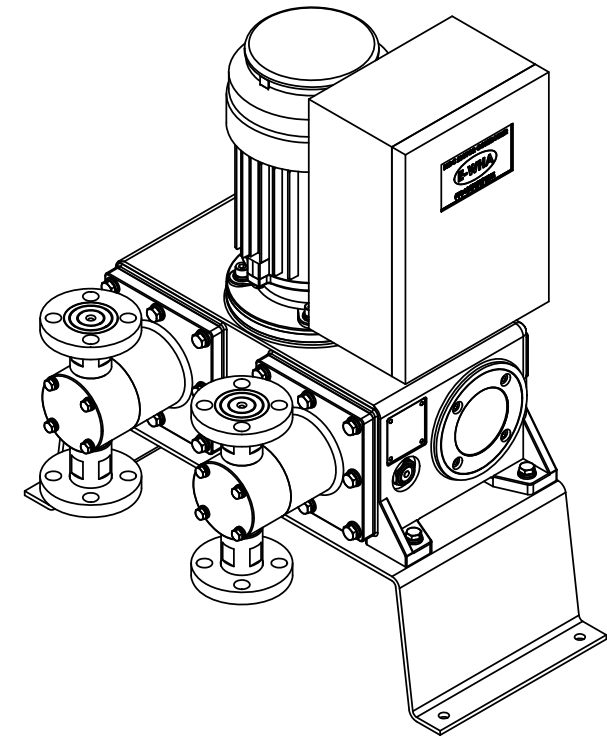
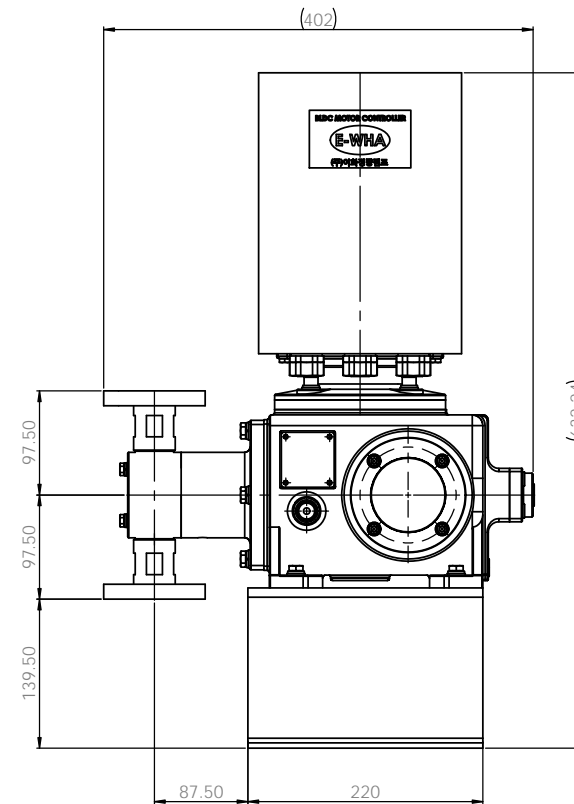
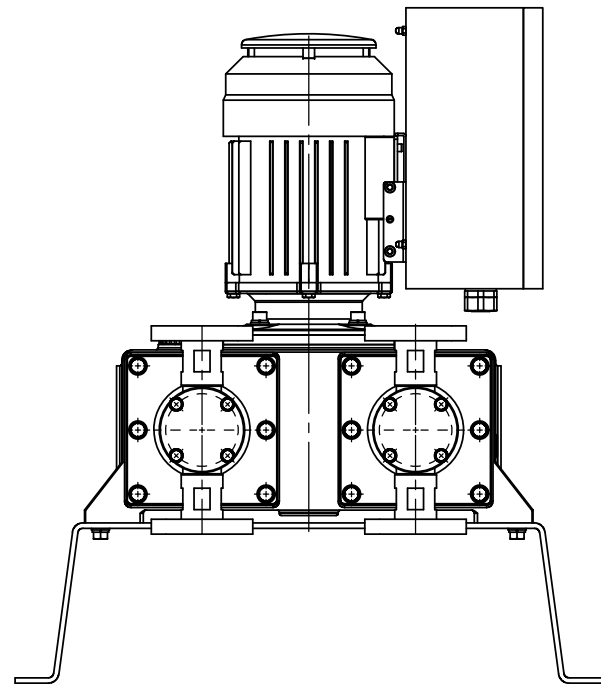
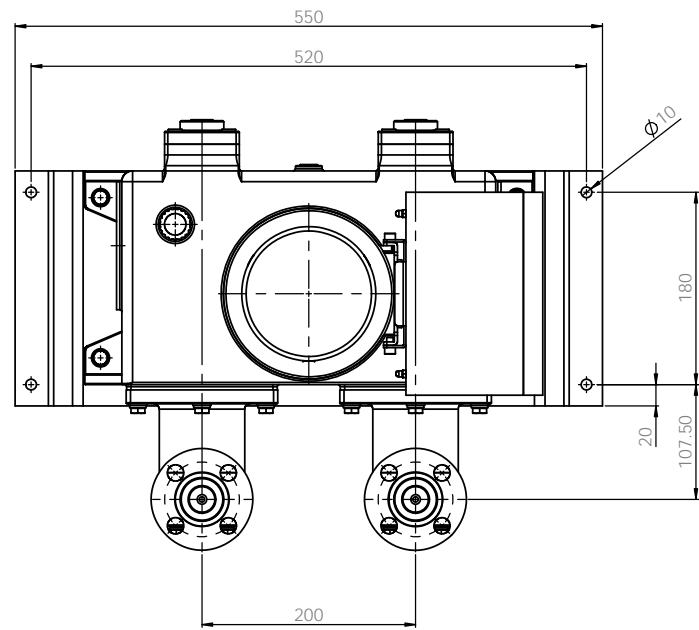


Note
 1. Model : GVMD50
 2. Material : PP / PVdF
 3. Connection : Hose

| REVISIONS | | | | SCALE AND BREAK SHARP EDGES | | DO NOT SCALE DRAWING | | REVISION | |
|-----------|------------|----|------|-----------------------------|-------|----------------------|----------|----------|-------------|
| NO. | DATE | BY | CHKD | SCALE | BREAK | SCALE | REVISION | NO. | DESCRIPTION |
| 01 | 2020.02.21 | | | | | | | 1 | INITIAL |
| 02 | 2020.02.21 | | | | | | | 2 | REVISED |
| 03 | 2020.02.22 | | | | | | | 3 | REVISED |
| 04 | 2020.02.22 | | | | | | | 4 | REVISED |
| 05 | | | | | | | | 5 | REVISED |
| 06 | | | | | | | | 6 | REVISED |
| 07 | | | | | | | | 7 | REVISED |
| 08 | | | | | | | | 8 | REVISED |
| 09 | | | | | | | | 9 | REVISED |
| 10 | | | | | | | | 10 | REVISED |
| 11 | | | | | | | | 11 | REVISED |
| 12 | | | | | | | | 12 | REVISED |
| 13 | | | | | | | | 13 | REVISED |
| 14 | | | | | | | | 14 | REVISED |
| 15 | | | | | | | | 15 | REVISED |
| 16 | | | | | | | | 16 | REVISED |

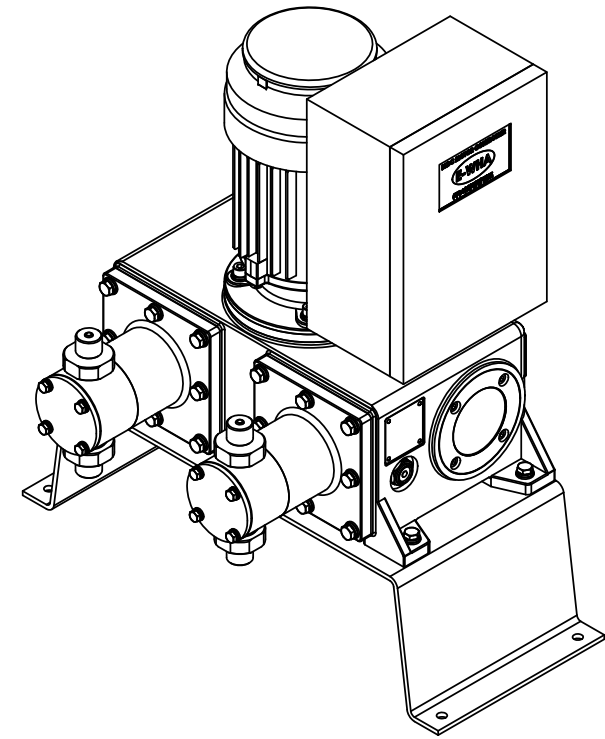
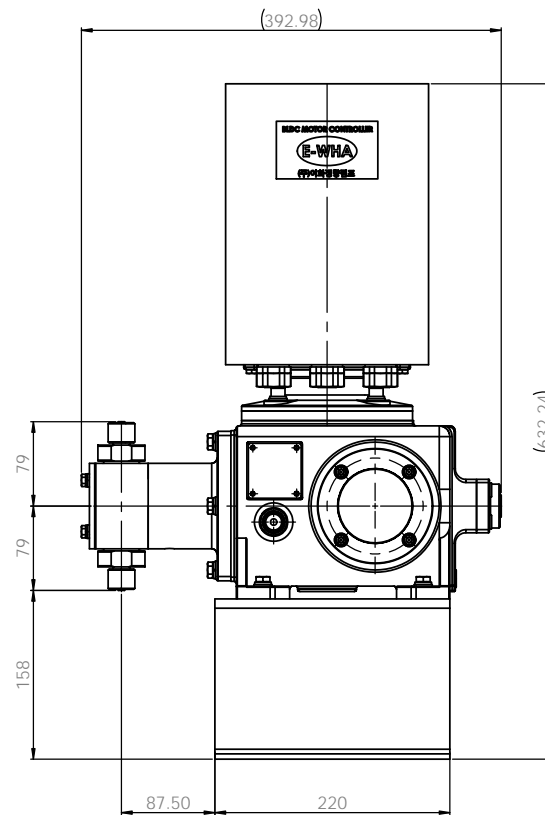
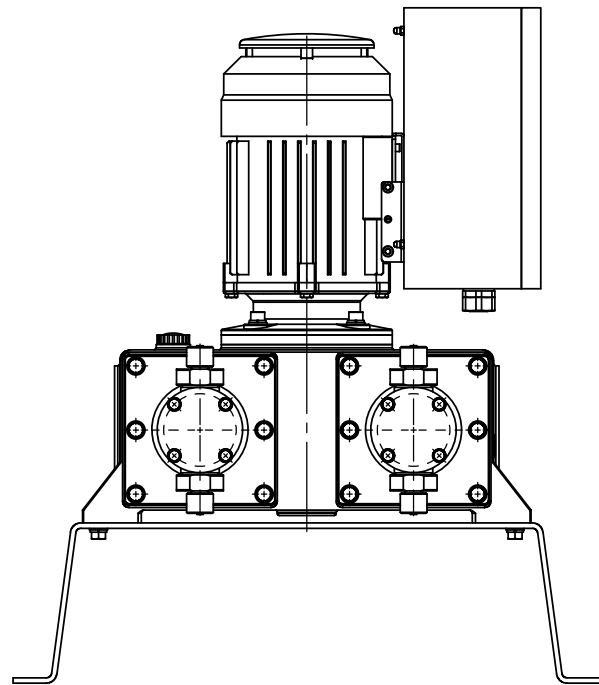
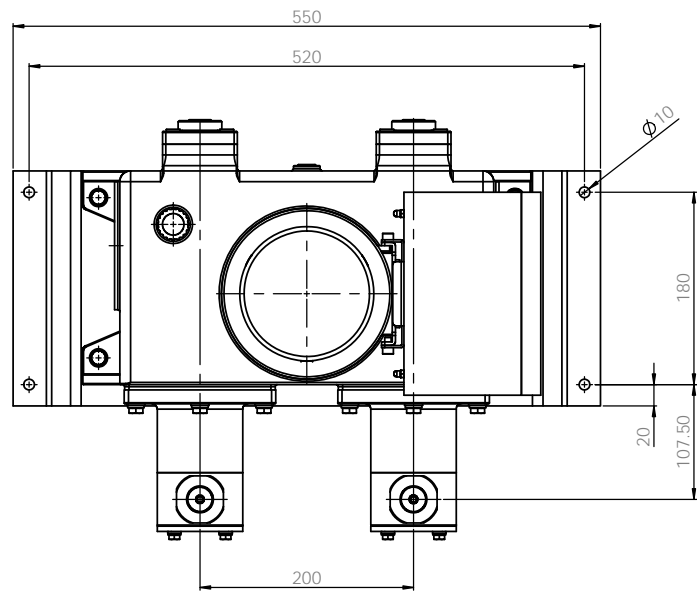
| | | | | | | | | | |
|----------|--|-----------|--|-----------|--|--------------|--|----|--|
| MATERIAL | | PVC | | SPEC. NO. | | AC1000B1001A | | A1 | |
| SCALE | | SCALE 1:1 | | SHEET | | SHEET 1 OF 1 | | | |



Note
 1. Model : GVMD50
 2. Material : PP / PVdF
 3. Connection : Flange

| REVISIONS | | | | SCALE AND BLOCK SHARP EDGES | | DO NOT SCALE DRAWING | | REVISION | |
|-----------|------------|----|-------|-----------------------------------|----|----------------------|-------------|----------|----|
| NO. | DATE | BY | CHKD. | DATE | BY | NO. | DESCRIPTION | DATE | BY |
| 1 | 2020.02.21 | | | | | | | | |
| 2 | 2020.02.21 | | | | | | | | |
| 3 | 2020.02.22 | | | | | | | | |

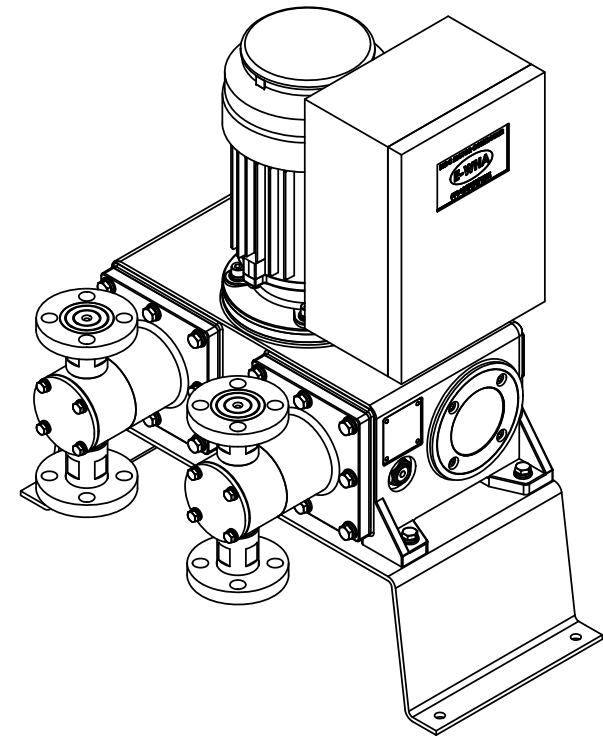
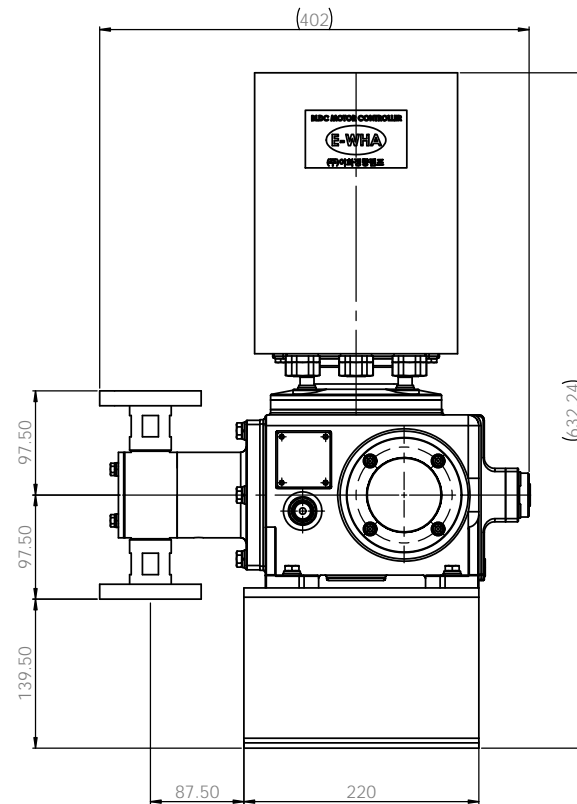
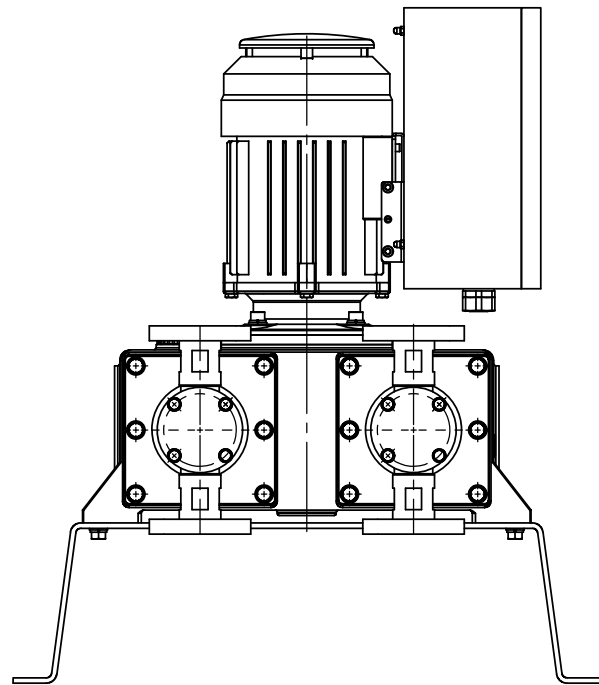
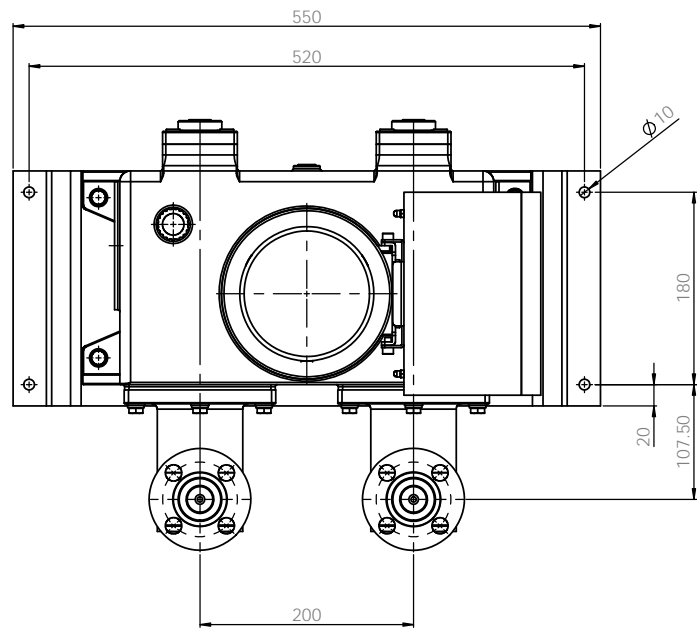
| | | | | | | | |
|------------------|--|------------------|--|---------------|--|--------------|--|
| DRAWN: W. PARK | | DATE: 2020.02.21 | | MATERIAL: PVC | | E-WHA | |
| CHKD: W. PARK | | DATE: 2020.02.21 | | E-WHA | | AC1000B1002A | |
| APPROV: S.C. KIM | | DATE: 2020.02.22 | | SCALE: 1:1 | | SHEET 1 OF 1 | |
| SHEET | | DATE | | SCALE | | SHEET | |



Note
 1. Model : GVMD50
 2. Material : PTFE
 3. Connection : Hose

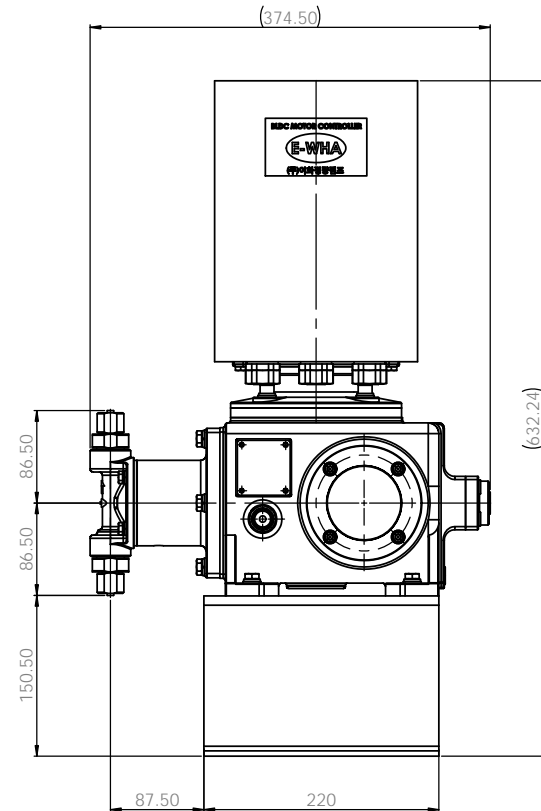
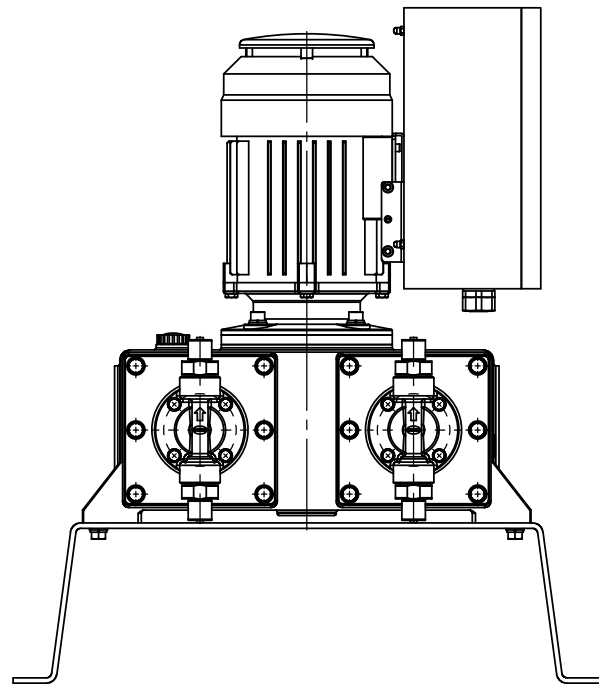
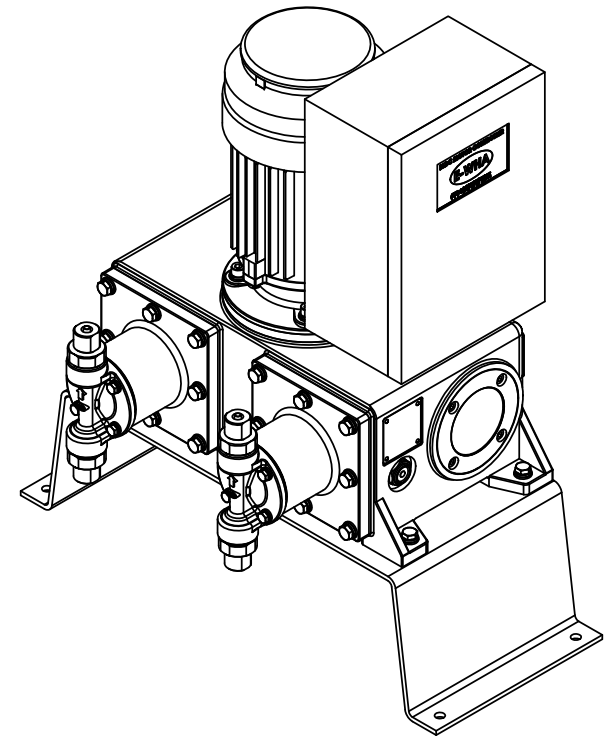
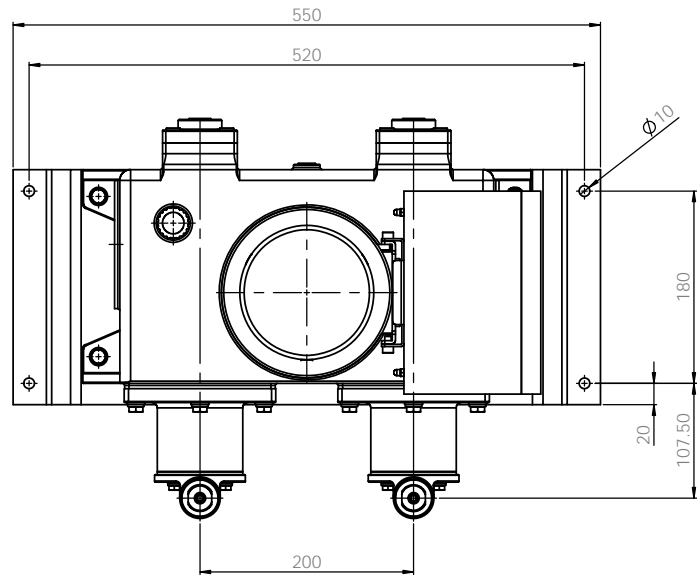
| REVISIONS | | | | SCALE AND UNIT | | DO NOT SCALE DRAWING | | REVISION | |
|-----------|------------|----|------|----------------|------|----------------------|-------------|----------|-------------|
| NO. | DATE | BY | CHKD | SCALE | UNIT | NO. | DESCRIPTION | NO. | DESCRIPTION |
| 1 | 2024.02.21 | | | | | 1 | | 1 | |
| 2 | 2024.02.21 | | | | | 2 | | 2 | |
| 3 | 2024.02.21 | | | | | 3 | | 3 | |
| 4 | 2024.02.21 | | | | | 4 | | 4 | |
| 5 | 2024.02.21 | | | | | 5 | | 5 | |
| 6 | 2024.02.21 | | | | | 6 | | 6 | |
| 7 | 2024.02.21 | | | | | 7 | | 7 | |
| 8 | 2024.02.21 | | | | | 8 | | 8 | |
| 9 | 2024.02.21 | | | | | 9 | | 9 | |
| 10 | 2024.02.21 | | | | | 10 | | 10 | |
| 11 | 2024.02.21 | | | | | 11 | | 11 | |
| 12 | 2024.02.21 | | | | | 12 | | 12 | |
| 13 | 2024.02.21 | | | | | 13 | | 13 | |
| 14 | 2024.02.21 | | | | | 14 | | 14 | |
| 15 | 2024.02.21 | | | | | 15 | | 15 | |
| 16 | 2024.02.21 | | | | | 16 | | 16 | |

| | | | | | |
|---------------------------------|------------|-------------|--------------|-----------|--------------|
| DESIGNER | W. P. PARK | DRAWING NO. | AC1004B1001A | MATERIAL | PTFE |
| CHECKER | W. P. PARK | DATE | 2024.02.21 | DWG. NO. | AC1004B1001A |
| APPROVED | S. C. KIM | SCALE | 1:1 | SHEET NO. | 1 OF 1 |
| DATE | 2024.02.21 | | | | |
| E-WHA CHEMICAL FEEDER CO., LTD. | | | | | |



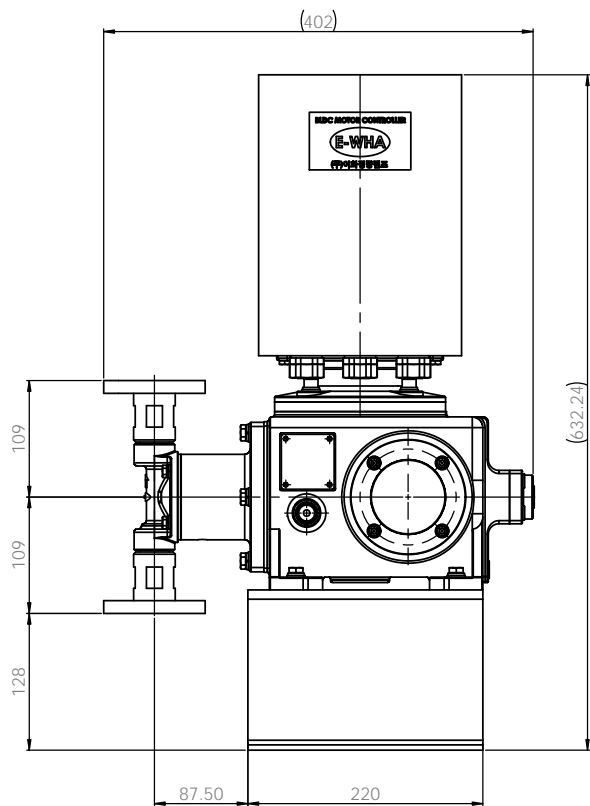
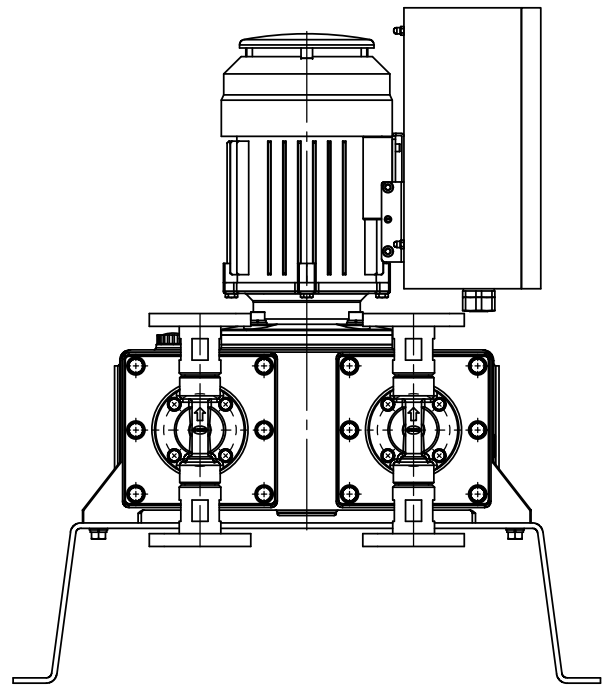
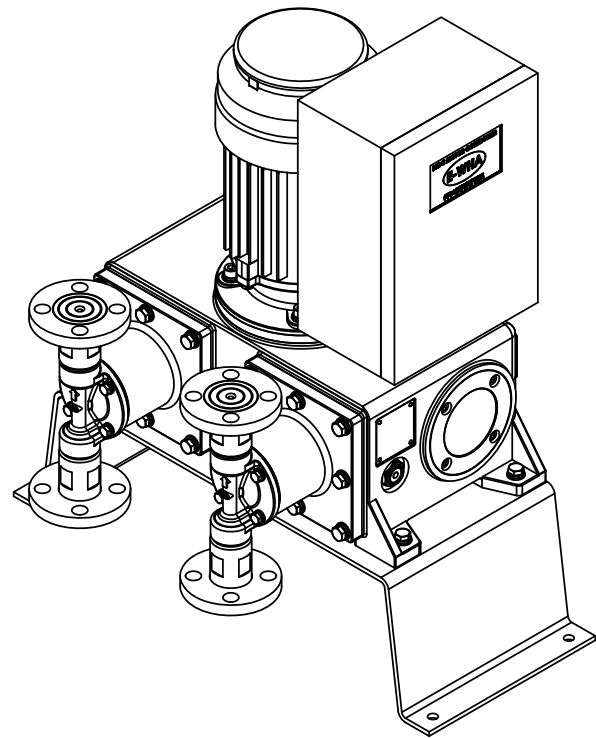
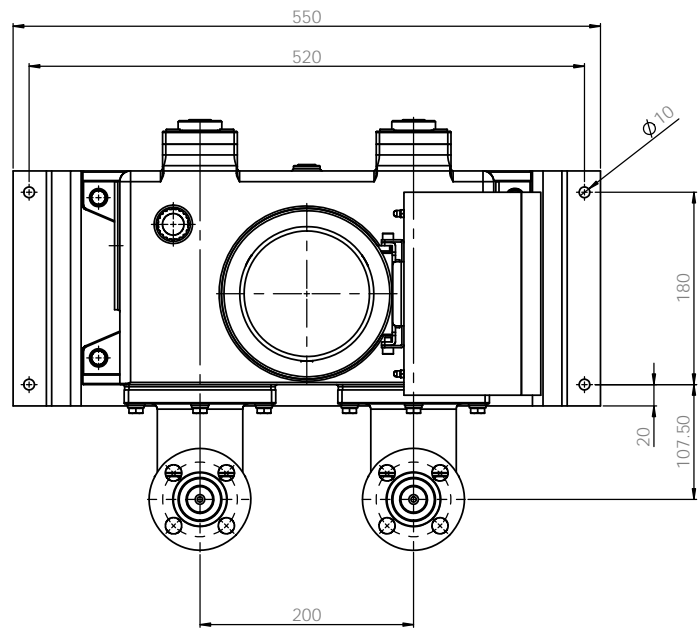
Note
 1. Model : *GVMD50*
 2. Material : *PTFE*
 3. Connection : *Flange*

| | | | | | | | | | | | |
|--|----|------------|-------|--------|----|---------------------------|----|---------------------------------|--|----------|--|
| ALL DIMENSIONS SPECIFIED UNLESS OTHERWISE SPECIFIED DIMENSIONS ARE IN MILLIMETERS UNLESS INDICATED OTHERWISE | | | | FINISH | | EDGE AND BREAK SHARP ENDS | | DO NOT SCALE DRAWING | | REVISION | |
| DATE | BY | CHKD | APP'D | DATE | BY | DATE | BY | E-WHA CHEMICAL FEEDER CO., LTD. | | | |
| 2024.02.21 | | 2024.02.21 | | | | | | PUMP ASSEMBLY-DIM | | | |
| 2024.02.21 | | 2024.02.21 | | | | | | GVMD50TCF-KS 10K 15A FF | | | |
| 2024.02.21 | | 2024.02.21 | | | | | | AC1004B1002A | | | |
| MATERIAL | | | | | | | | PTFE | | A1 | |
| SCALE 1:1 | | | | | | | | SHEET 1 OF 1 | | | |



Note
 1. Model : GVMD50
 2. Material : Stainless steel
 3. Connection : Hose

| | | | |
|--|--|--|---|
| ALL DIMENSIONS SPECIFIED UNLESS OTHERWISE SPECIFIED DIMENSIONS ARE IN MILLIMETERS TOLERANCES UNLESS SPECIFIED: FINISH: ANGULAR | | FINISH: BRASS AND BRASS SHARP EDGES | DO NOT SCALE DRAWING REVISION |
| DRAWN: W. PARK CHECK: W. PARK APPROV: S.C. KHA DATE: 2020.02.21 DATE: 2020.02.21 DATE: 2020.02.21 | DESIGNED: S.C. KHA DATE: 2020.02.21 | MATERIAL: SUS304 | E-WHA CHEMICAL FEEDER CO., LTD. PUMP ASSEMBLY-DIM GVMD50S4S4H-H06 AC1201B1001A |
| SCALE: 1:1 | | SHEET: 1 OF 1 | A1 |



Note
 1. Model : GVMD50
 2. Material : Stainless steel
 3. Connection : Flange

| | | | | | | | |
|--|---------|---------|----------|----------------------|--|--------------|--|
| ALL DIMENSIONS SPECIFIED UNLESS OTHERWISE SPECIFIED DIMENSIONS ARE IN MILLIMETERS UNLESS INDICATED OTHERWISE | | | | DO NOT SCALE DRAWING | | REVISION | |
| E-WHA CHEMICAL FEEDER CO., LTD. | | | | DATE | | REV | |
| DATE | BY | CHKD | APPV | MATERIAL | | SUS304 | |
| 2020.02.21 | W. PARK | W. PARK | S.C. KIM | DIM. NO. | | AC1201B1002A | |
| 2020.02.21 | | | | SCALE | | 1:1 | |
| | | | | SHEET | | 1 OF 1 | |