

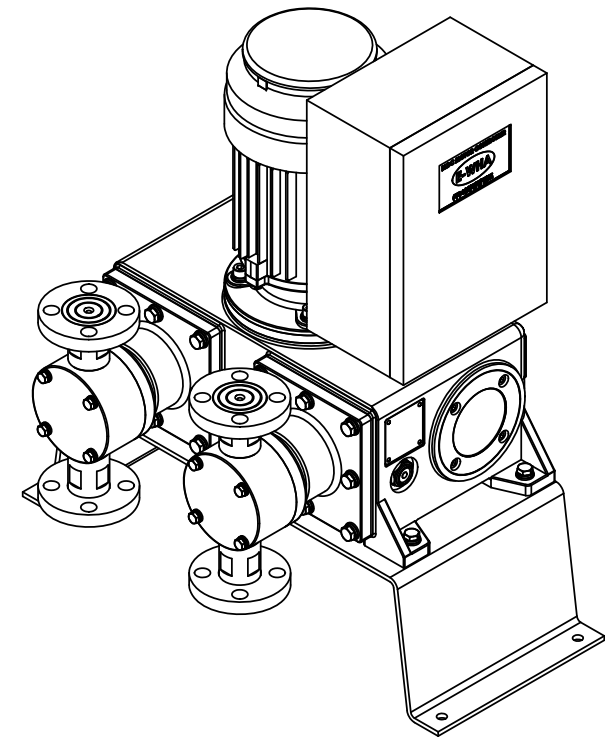
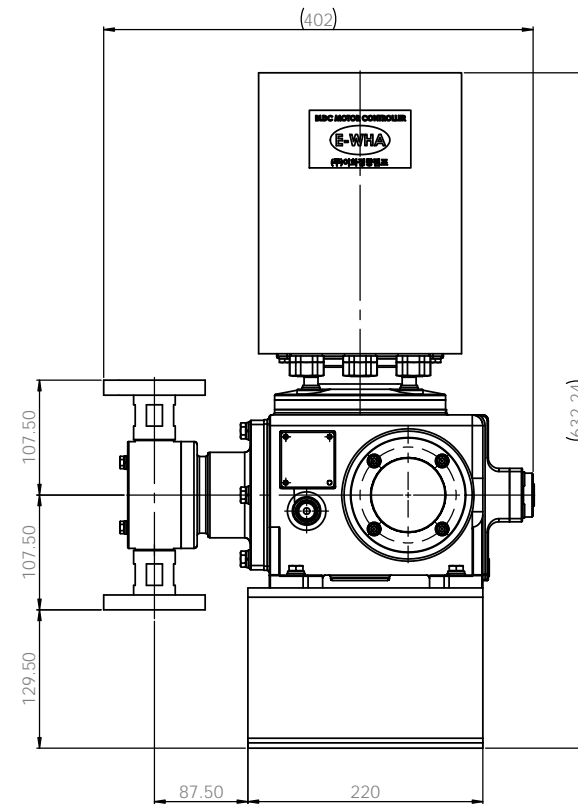
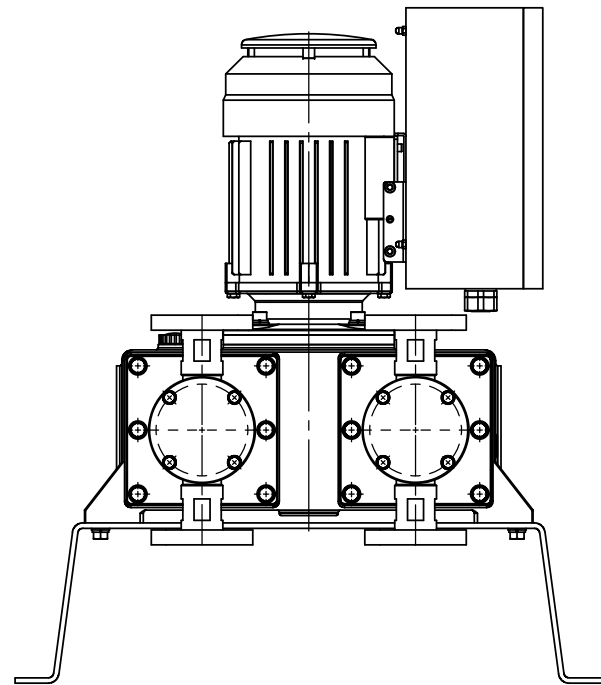
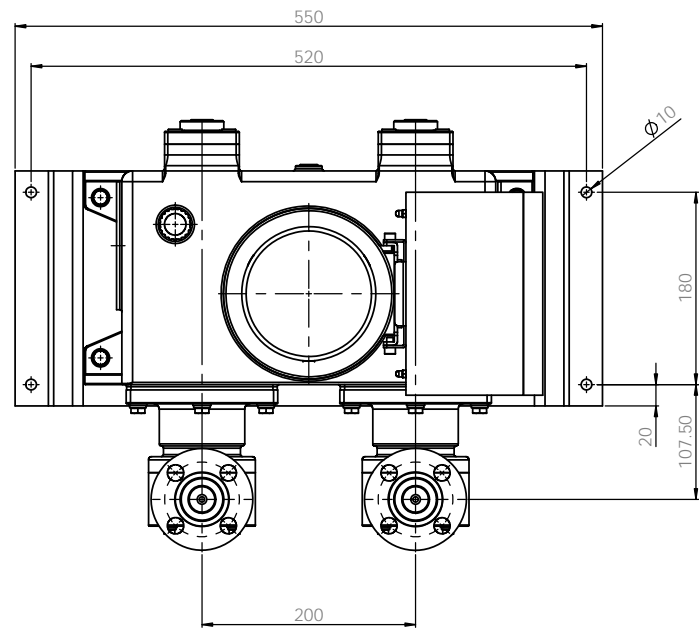
Note
 1. Model : *GVMD600*
 2. Material : *PP / PVdF*
 3. Connection : *Hose*

REVISI				REVISI	REVISI	REVISI	REVISI	REVISI
NO.	DATE	BY	REVISI	REVISI	REVISI	REVISI	REVISI	REVISI
1	2020.02.21							
2	2020.02.21							
3	2020.02.21							
MATERIAL				MATERIAL				MATERIAL
PVC				PVC				AC1000B1007A
SCALE 1:1				SCALE 1:1				SHEET 1 OF 1

E-WHA CHEMICAL FEEDER CO., LTD.

PUMP ASSEMBLY-DIM
 GVMD600PCH-H06

A1

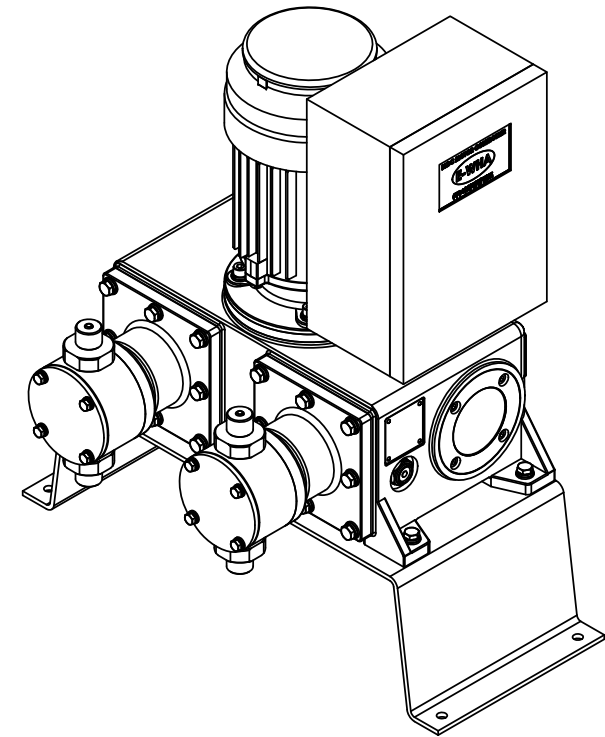
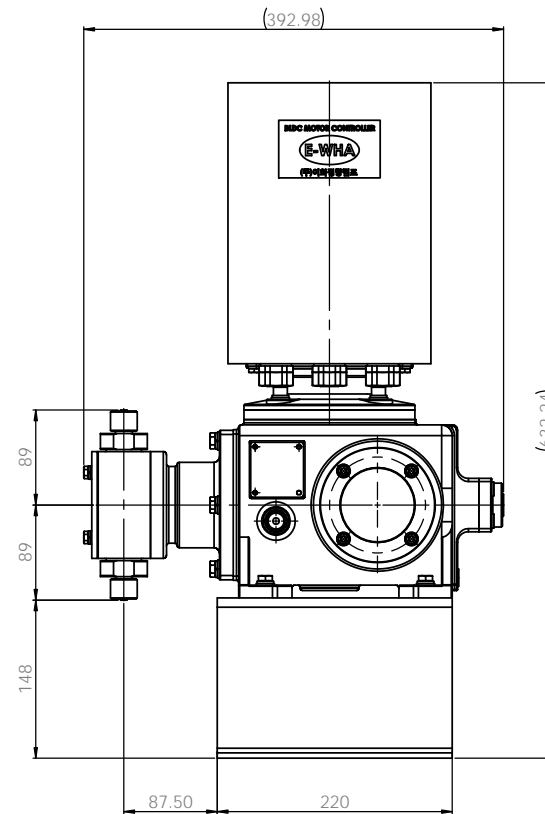
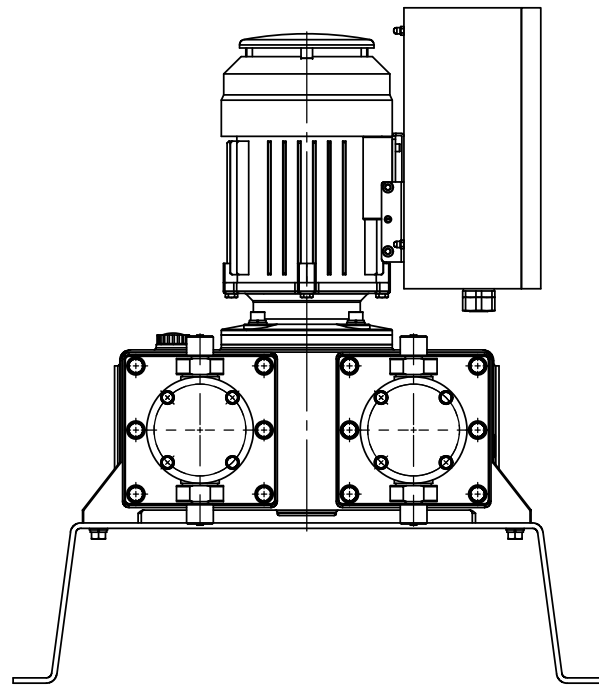
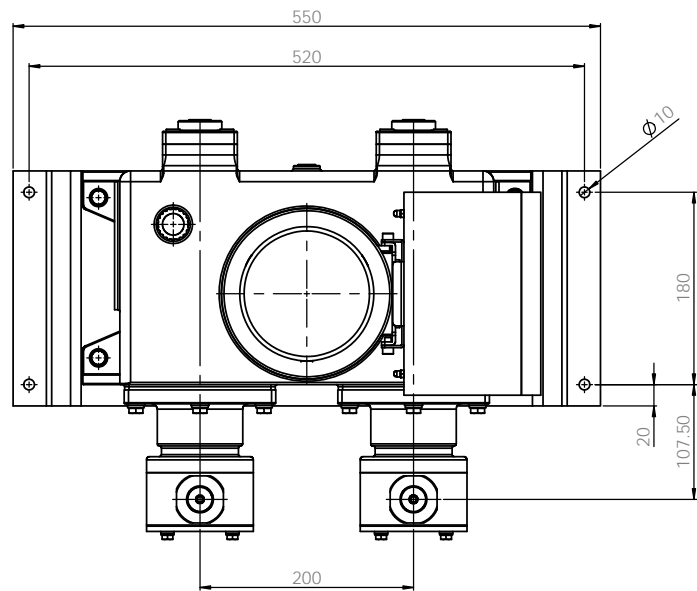


Note
 1. Model : GVMD600
 2. Material : PP / PVdF
 3. Connection : Flange

ALL DIMENSIONS SPECIFIED UNLESS OTHERWISE SPECIFIED DIMENSIONS ARE IN MILLIMETERS UNLESS INDICATED OTHERWISE				SCALE AND BREAK SHARP EDGES		DO NOT SCALE DRAWING		REVISION
DATE	BY	CHKD	APPVD	DATE	BY	DATE	BY	NO.
2024.02.21	W. PAKH			2024.02.21				1
2024.02.21	W. PAKH			2024.02.21				
2024.02.21	S.C. KHAI			2024.02.21				
MATERIAL				PVC		DIMENSIONS		AC1000B1008A
SCALE 1:1				SHEET 1 OF 1				A1

E-WHA CHEMICAL FEEDER CO., LTD.

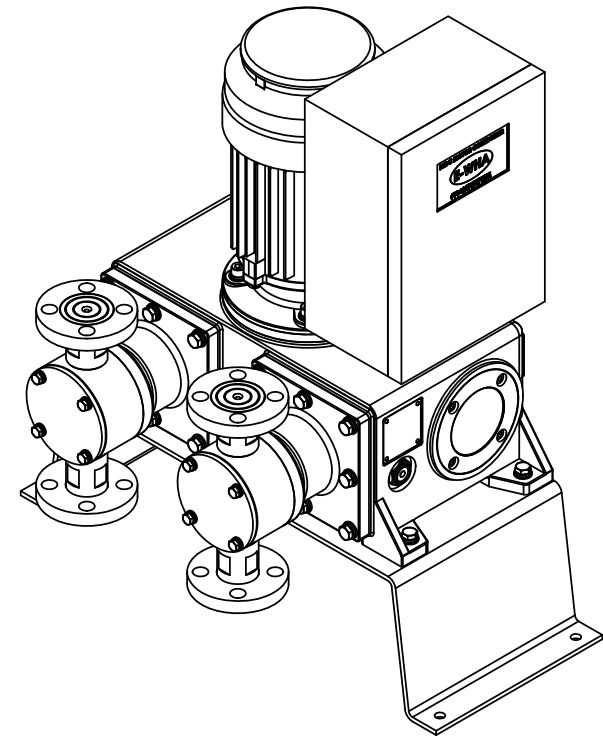
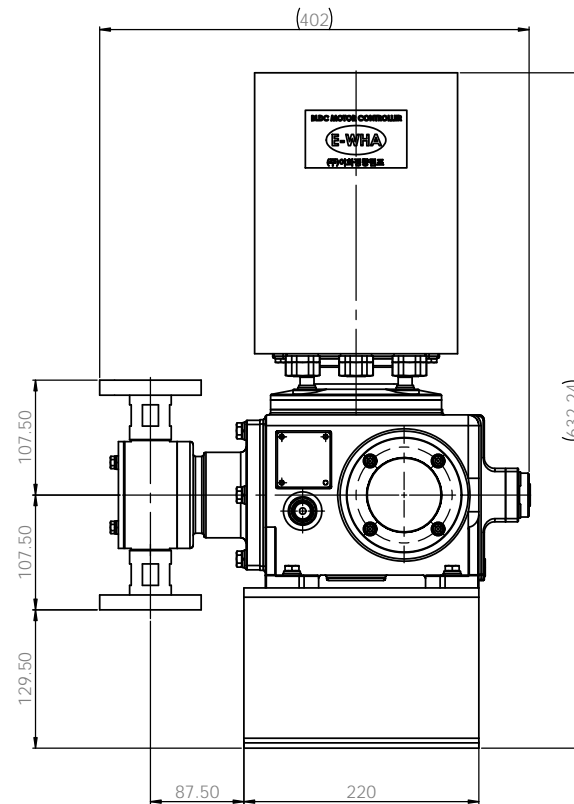
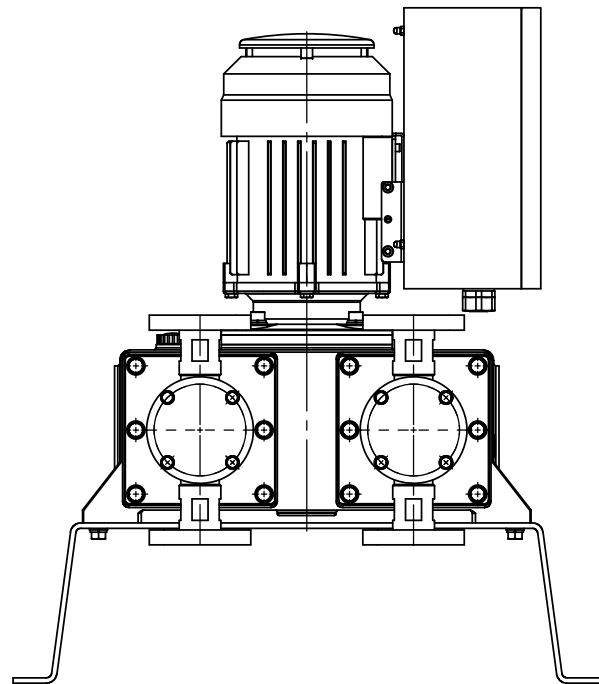
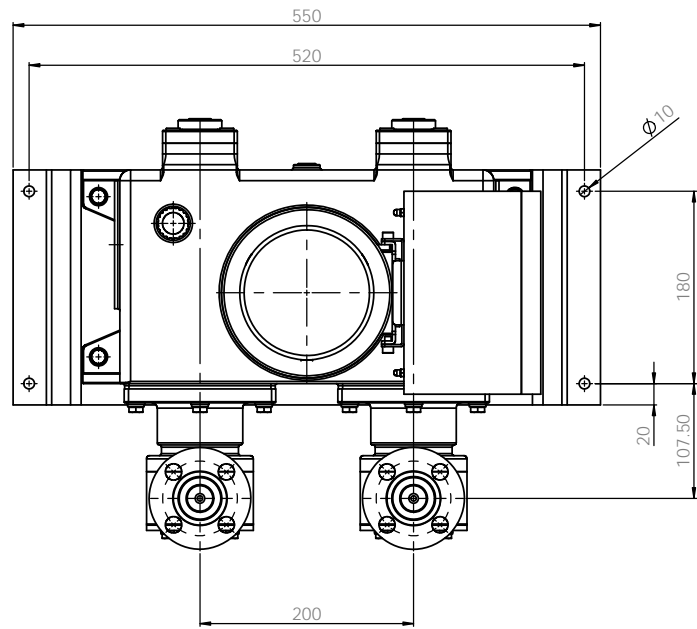
PUMP ASSEMBLY-DIM
 GVMD600PCF-KS 10K 15A FF



Note
 1. Model : GVMD600
 2. Material : PTFE
 3. Connection : Hose

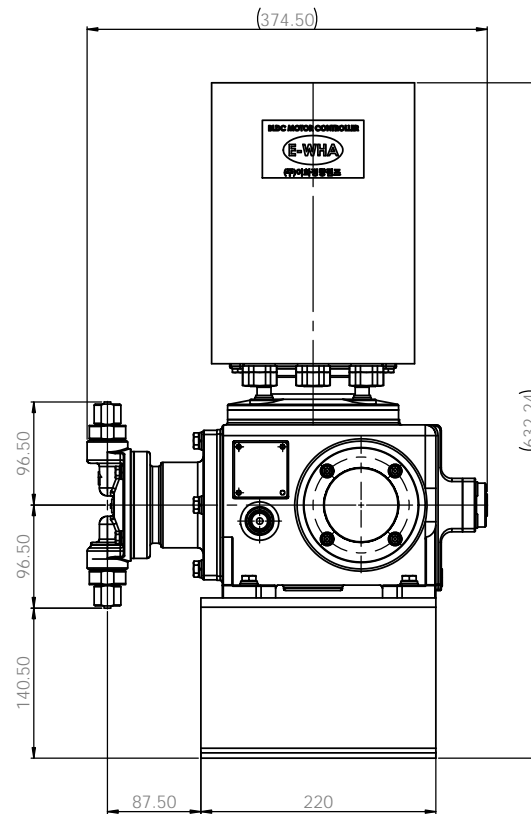
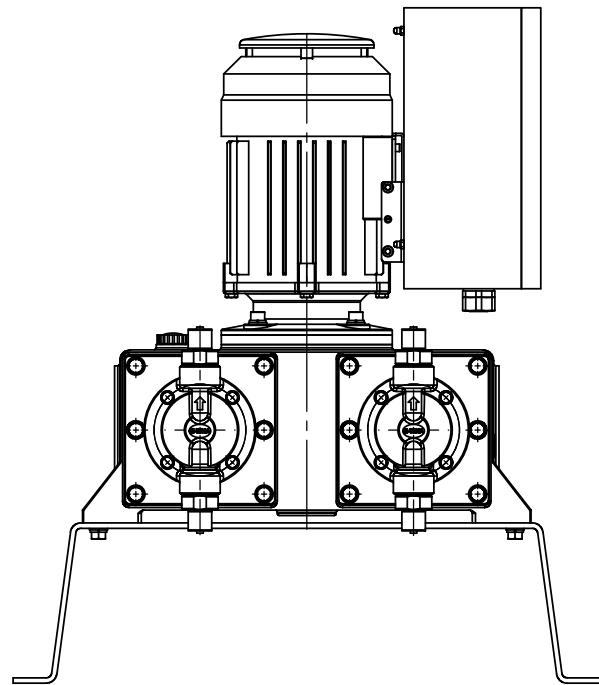
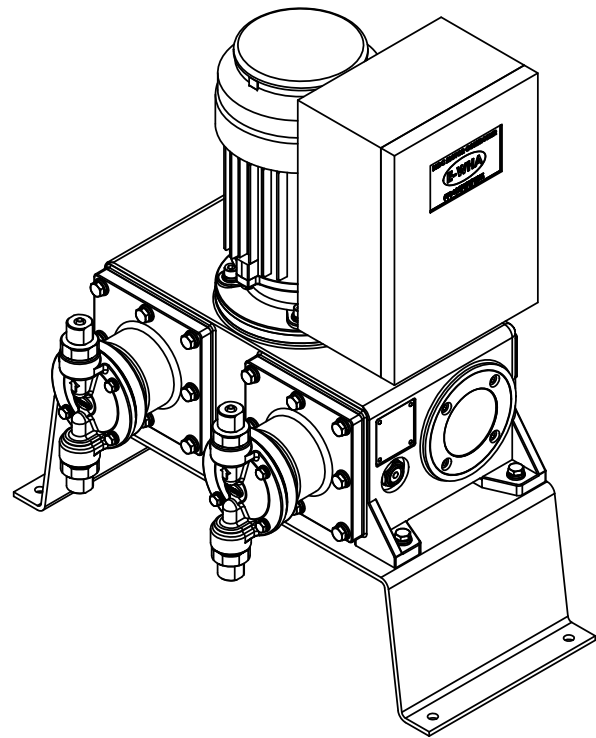
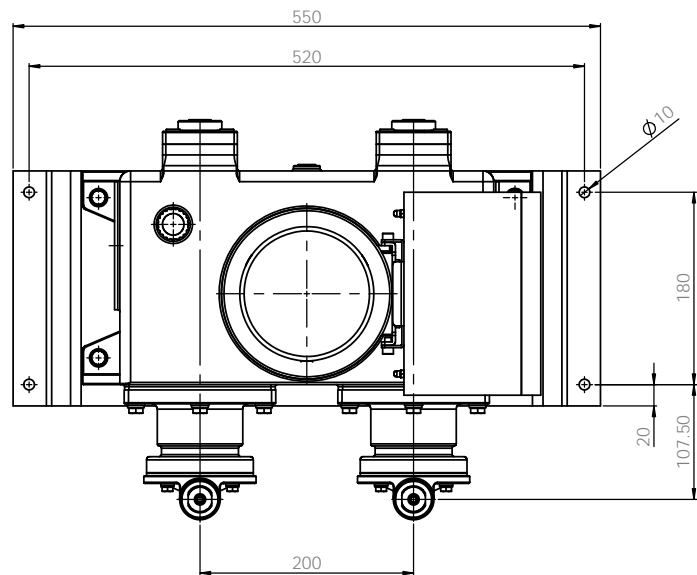
REVISIONS				SCALE AND BREAK SHARP EDGES		DO NOT SCALE DRAWING		REVISION	
NO.	DATE	BY	CHKD	SCALE	BREAK	NO.	DESCRIPTION	DATE	BY
1	2020.02.21					1			
2	2020.02.21					2			
3	2020.02.21					3			
4	2020.02.21					4			
5	2020.02.21					5			
6	2020.02.21					6			
7	2020.02.21					7			
8	2020.02.21					8			
9	2020.02.21					9			
10	2020.02.21					10			
11	2020.02.21					11			
12	2020.02.21					12			
13	2020.02.21					13			
14	2020.02.21					14			
15	2020.02.21					15			
16	2020.02.21					16			

E-WHA CHEMICAL FEEDER CO., LTD.				E-WHA CHEMICAL FEEDER CO., LTD.		E-WHA CHEMICAL FEEDER CO., LTD.		E-WHA CHEMICAL FEEDER CO., LTD.	
PUMP ASSEMBLY-DIM				PUMP ASSEMBLY-DIM		PUMP ASSEMBLY-DIM		PUMP ASSEMBLY-DIM	
GVMD600TCH-H06				GVMD600TCH-H06		GVMD600TCH-H06		GVMD600TCH-H06	
PTFE				PTFE		PTFE		PTFE	
AC1004B1007A				AC1004B1007A		AC1004B1007A		AC1004B1007A	
SCALE 1:1				SCALE 1:1		SCALE 1:1		SCALE 1:1	
SHEET 1 OF 1				SHEET 1 OF 1		SHEET 1 OF 1		SHEET 1 OF 1	



Note
 1. Model : GVMD600
 2. Material : PTFE
 3. Connection : Flange

REVISIONS				DATE		BY		CHECKED		APPROVED		MATERIAL		SCALE	
01	W. PARK	2024.02.21													
02	W. PARK	2024.02.21													
03	S.C. KIM	2024.02.22													
PUMP ASSEMBLY-DIM GVMD600TCF-KS 10K 15A FF												PTFE	AC1004B1008A	A1	



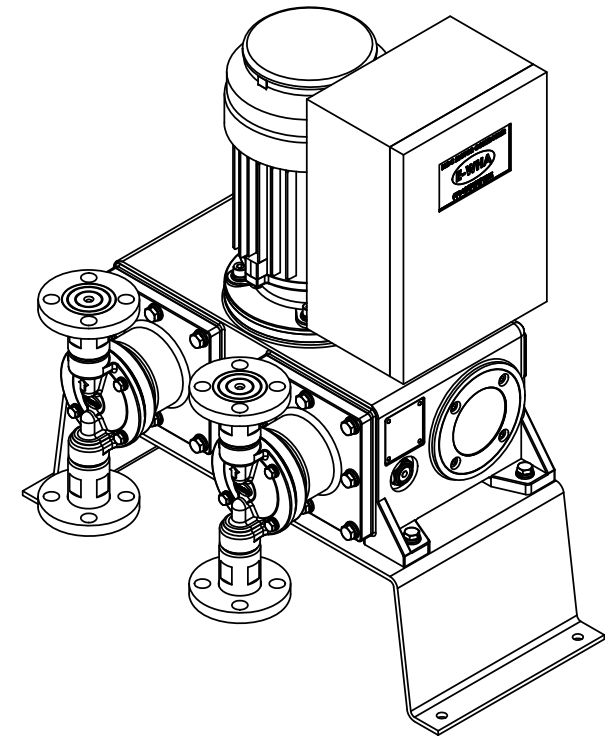
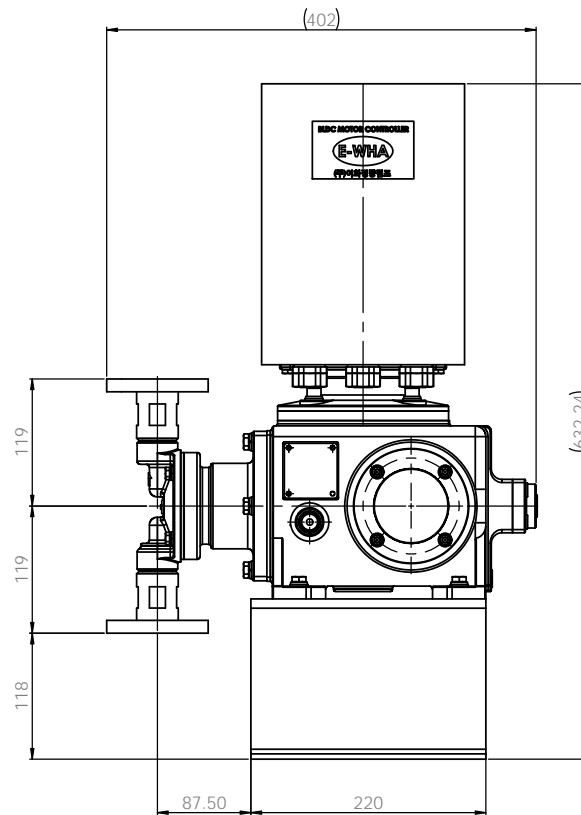
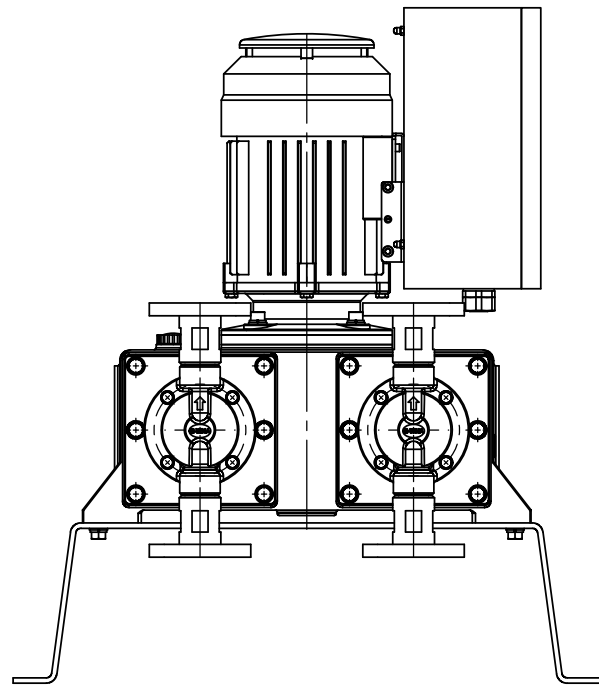
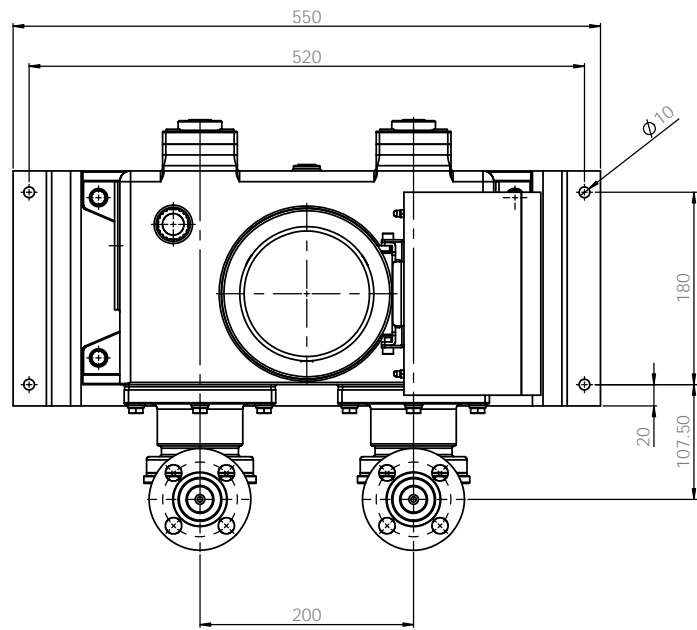
Note
 1. Model : GVMD600
 2. Material : Stainless steel
 3. Connection : Hose

REVISIONS				SCALE AND BLOCK SHARP EDGES		DO NOT SCALE DRAWING		REVISION	
NO.	DATE	BY	CHKD	SCALE	UNIT	NO.	DESCRIPTION	DATE	BY
01	2024.02.21								
02	2024.02.21								
03	2024.02.21								
MATERIAL				SUS304		DWG. NO.		AC1201B1007A	
DRAWN				W. PARK		DATE		2024.02.21	
CHECKED				W. PARK		DATE		2024.02.21	
APPROVED				S.C. KIM		DATE		2024.02.21	
DESIGNER				S.C. KIM		DATE		2024.02.21	
MATERIAL				SUS304		DWG. NO.		AC1201B1007A	
SCALE				SCALE 1:1		SHEET		SHEET 1 OF 1	

E-WHA CHEMICAL FEEDER CO., LTD.

PUMP ASSEMBLY-DIM
 GVMD600S4S4H-H06

SUS304 AC1201B1007A A1



Note
 1. Model : *GVMD600*
 2. Material : *Stainless steel*
 3. Connection : *Flange*

ALL DIMENSIONS SPECIFIED UNLESS OTHERWISE SPECIFIED DIMENSIONS ARE IN MILLIMETERS UNLESS OTHERWISE SPECIFIED UNLESS OTHERWISE SPECIFIED UNLESS OTHERWISE SPECIFIED		FINISH BRASS BRASS BRASS BRASS	TOLERANCE AND BREAK SHARP EDGES UNLESS OTHERWISE SPECIFIED	DO NOT SCALE DRAWING REVISION
DRAWN W. PARK DATE 2020.02.21	CHECKED W. PARK DATE 2020.02.21	APPROVED S.C. KIM DATE 2020.02.22	MATERIAL SUS304	E-WHA CHEMICAL FEEDER CO., LTD. PUMP ASSEMBLY-DIM GVMD600S4S4F-KS 10K 15A FF DRAWING NO. AC1201B1008A
SCALE 1:1			SHEET 1 OF 1	